

**STATE OF NORTH CAROLINA  
DEPARTMENT OF TRANSPORTATION**

**PAVEMENT MARKING PLAN  
BEAUFORT COUNTY**

**LOCATION: BRIDGE NO. 59 OVER JACK CREEK ON NC 99**

TIP NO. B-4417	SHEET NO. PMP-1
APPROVED: <i>[Signature]</i>	
DATE: 1-18-11	
SEAL	



**T.I.P.: B-4417**

**CONTRACT: C202376**

**ROADWAY STANDARD DRAWING**

THE FOLLOWING ROADWAY STANDARDS AS APPEAR IN "ROADWAY STANDARD DRAWINGS" - PROJECT SERVICES UNIT - N.C. DEPARTMENT OF TRANSPORTATION - RALEIGH, N.C., DATED JULY 2006 ARE APPLICABLE TO THIS PROJECT AND BY REFERENCE HEREBY ARE CONSIDERED A PART OF THESE PLANS:

STD. NO.	TITLE
1205.01	PAVEMENT MARKINGS - LINE TYPES AND OFFSETS
1205.02	PAVEMENT MARKINGS - 2 LANE AND MULTILANE ROADWAYS
1205.12	PAVEMENT MARKINGS - BRIDGES
1250.01	PAVEMENT MARKER SPACING
1251.01	RAISED PAVEMENT MARKERS - TEMPORARY AND PERMANENT
1261.01	GUARDRAIL AND BARRIER DELINEATOR SPACING
1261.02	GUARDRAIL AND BARRIER DELINEATOR TYPES
1262.01	GUARDRAIL END DELINEATION

**PAVEMENT  
MARKING SCHEDULE**

SYMBOL	DESCRIPTION
TI YELLOW DOUBLE CENTER	THERMOPLASTIC(4", 120 MILS)
TA WHITE EDGELINE	THERMOPLASTIC(4", 90 MILS)
MA YELLOW & YELLOW	PERMANENT RAISED PAVEMENT MARKERS

**GENERAL NOTES**

THE FOLLOWING GENERAL NOTES APPLY AT ALL TIMES FOR THE DURATION OF THE CONSTRUCTION PROJECT, EXCEPT WHEN OTHERWISE NOTED IN THE PLAN, OR DIRECTED BY THE ENGINEER.

- A) INSTALL PAVEMENT MARKINGS AND PAVEMENT MARKERS ON THE FINAL SURFACE AS FOLLOWS:

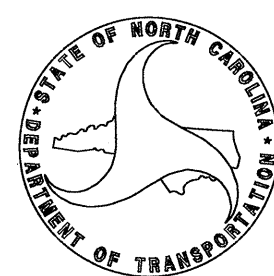
ROAD NAME	MARKING	MARKER
NC 99	THERMOPLASTIC	RAISED
- B) TIE PROPOSED PAVEMENT MARKING LINES TO EXISTING PAVEMENT MARKING LINES.
- C) REMOVE/REPLACE ANY CONFLICTING/DAMAGED PAVEMENT MARKINGS AND MARKERS.
- D) PASSING ZONES WILL BE DETERMINED IN THE FIELD AND MUST BE APPROVED BY THE ENGINEER.

**INDEX**

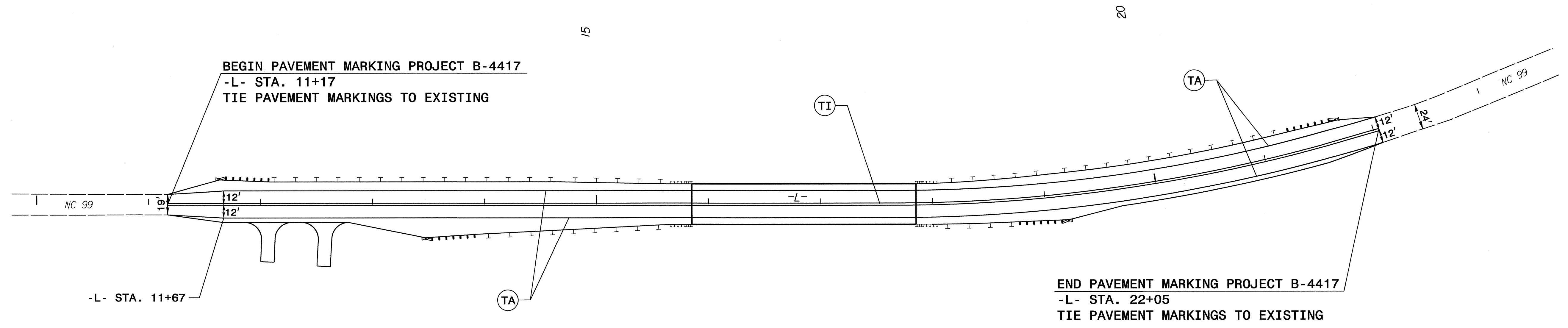
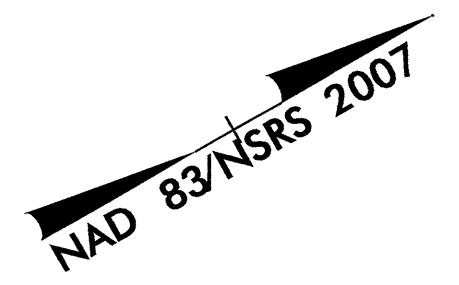
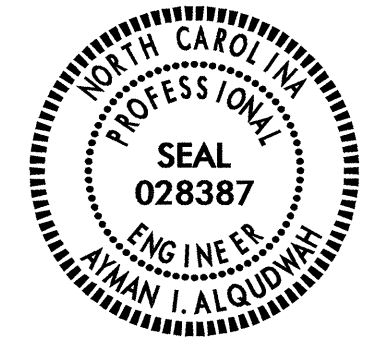
SHEET NO.	DESCRIPTION
PMP-1	PAVEMENT MARKING PLAN TITLE AND SCHEDULE SHEET
PMP-2	PAVEMENT MARKING DETAIL

PLAN PREPARED BY: N.C.D.O.T. SIGNING AND DELINEATION UNIT

AYMAN ALQUODWAH, P.E. SIGNING & DELINEATION REGIONAL ENGINEER  
ERIC WARD SIGNING & DELINEATION DESIGN ENGINEER



TIP NO. B-4417	SHEET NO. PMP-2
APPROVED: <i>[Signature]</i>	
DATE: 1-18-11	
SEAL	



BEGIN PAVEMENT MARKING PROJECT B-4417  
 -L- STA. 11+17  
 TIE PAVEMENT MARKINGS TO EXISTING

END PAVEMENT MARKING PROJECT B-4417  
 -L- STA. 22+05  
 TIE PAVEMENT MARKINGS TO EXISTING

**PAVEMENT MARKING DETAIL**

I:\Projects\B4417\Traffic\Signing\CADD\Signing\_Layout\Plans\B4417\_pavement\_marking.dgn  
 1/18/11 10:35 AM  
 ericward