

T.I.P.: B-4641

CONTRACT: C202328

STATE OF NORTH CAROLINA
DEPARTMENT OF TRANSPORTATION

PAVEMENT MARKING PLAN
SCOTLAND COUNTY

LOCATION: BRIDGE NO. 75 OVER BIG SHOE HEEL CREEK ON US 74 BUSINESS

TIP NO. B-4641	SHEET NO. PMP-1
APPROVED: _____	
DATE: _____	
SEAL	

ROADWAY STANDARD DRAWING

THE FOLLOWING ROADWAY STANDARDS AS APPEAR IN "ROADWAY STANDARD DRAWINGS" - PROJECT SERVICES UNIT - N.C. DEPARTMENT OF TRANSPORTATION - RALEIGH, N.C., DATED JULY 2006 ARE APPLICABLE TO THIS PROJECT AND BY REFERENCE HEREBY ARE CONSIDERED A PART OF THESE PLANS:

STD. NO.	TITLE
1205.01	PAVEMENT MARKINGS - LINE TYPES AND OFFSETS
1205.02	PAVEMENT MARKINGS - 2 LANE AND MULTILANE ROADWAYS
1205.12	PAVEMENT MARKINGS - BRIDGES
1250.01	PAVEMENT MARKER SPACING
1251.01	RAISED PAVEMENT MARKERS - TEMPORARY AND PERMANENT
1261.01	GUARDRAIL AND BARRIER DELINEATOR SPACING
1261.02	GUARDRAIL AND BARRIER DELINEATOR TYPES
1262.01	GUARDRAIL END DELINEATION

GENERAL NOTES

THE FOLLOWING GENERAL NOTES APPLY AT ALL TIMES FOR THE DURATION OF THE CONSTRUCTION PROJECT, EXCEPT WHEN OTHERWISE NOTED IN THE PLAN, OR DIRECTED BY THE ENGINEER.

A) INSTALL PAVEMENT MARKINGS AND PAVEMENT MARKERS ON THE FINAL SURFACE AS FOLLOWS:

ROAD NAME	MARKING	MARKER
ALL	THERMOPLASTIC	RAISED
BRIDGE	COLD APPLIED TYPE II	RAISED

- B) TIE PROPOSED PAVEMENT MARKING LINES TO EXISTING PAVEMENT MARKING LINES.
- C) REMOVE/REPLACE ANY CONFLICTING/DAMAGED PAVEMENT MARKINGS AND MARKERS.
- D) PASSING ZONES WILL BE DETERMINED IN THE FIELD AND MUST BE APPROVED BY THE ENGINEER.

INDEX

SHEET NO.	DESCRIPTION
PMP-1	PAVEMENT MARKING PLAN TITLE SHEET
PMP-2	PAVEMENT MARKING SCHEDULE
PMP-3	PAVEMENT MARKING DETAIL

PLAN PREPARED BY: N.C.D.O.T. SIGNING AND DELINEATION UNIT

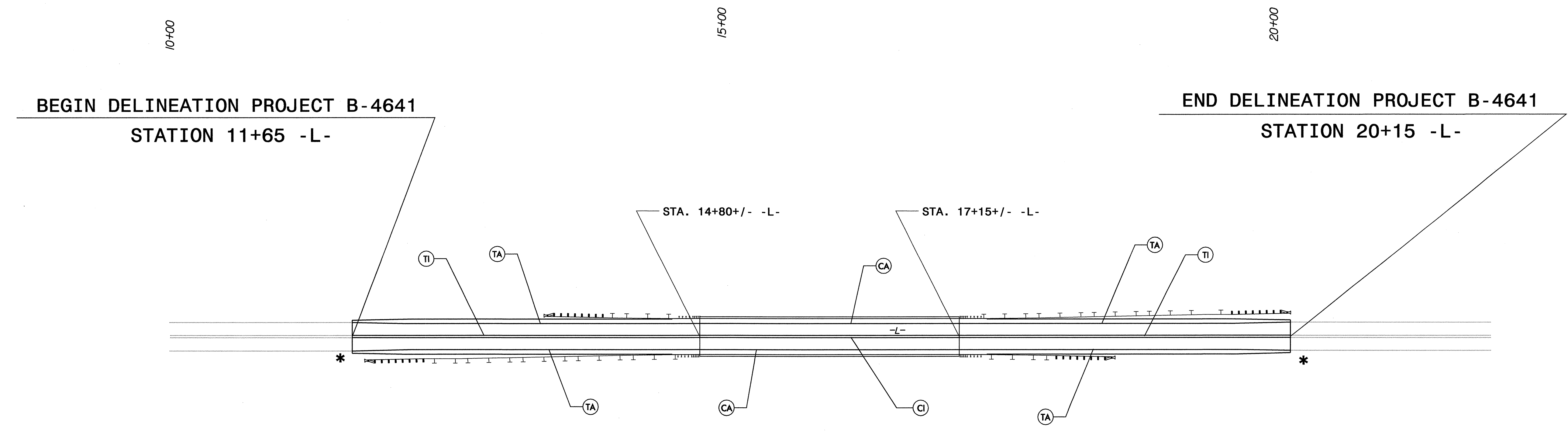
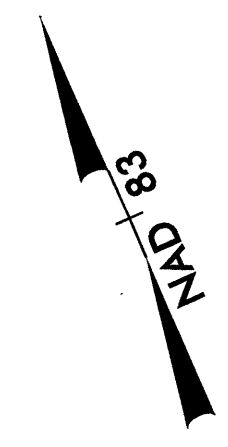
RON W. KING, P.E. STATE SIGNING & DELINEATION ENGINEER
ROSI HENNEIN SIGNING & DELINEATION DESIGN ENGINEER

TIP NO.	SHEET NO.
B-4641	PMP-2
APPROVED: _____	
DATE: _____	
SEAL	

SYMBOL	DESCRIPTION	PAY ITEM QUANTITY	TOTAL
FINAL PAVEMENT MARKINGS			
COLD APPLIED PLASTIC (4") Type2 - Permanent High Performance			
CA	WHITE EDGELINE	470 LF	
CI	YELLOW DOUBLE CENTER	470 LF	
		TOTAL	940 LF
THERMOPLASTIC (4", 120 MILS)			
TI	YELLOW DOUBLE CENTER	1230 LF	
		TOTAL	1230 LF
THERMOPLASTIC (4", 90 MILS)			
TA	WHITE EDGELINE	1230 LF	
		TOTAL	1230 LF
MARKERS			
PERMANENT RAISED PAVEMENT MARKERS			
MA	YELLOW & YELLOW	11 EA	
		TOTAL	11 EA

PAVEMENT MARKING SCHEDULE

TIP NO. B-4641	SHEET NO. PMP-3
APPROVED: _____	
DATE: _____	
SEAL	



BEGIN DELINEATION PROJECT B-4641
STATION 11+65 -L-

END DELINEATION PROJECT B-4641
STATION 20+15 -L-

PROJECT NOTES:	
*	MATCH EXISTING PAVEMENT MARKINGS

PAVEMENT MARKING DETAIL