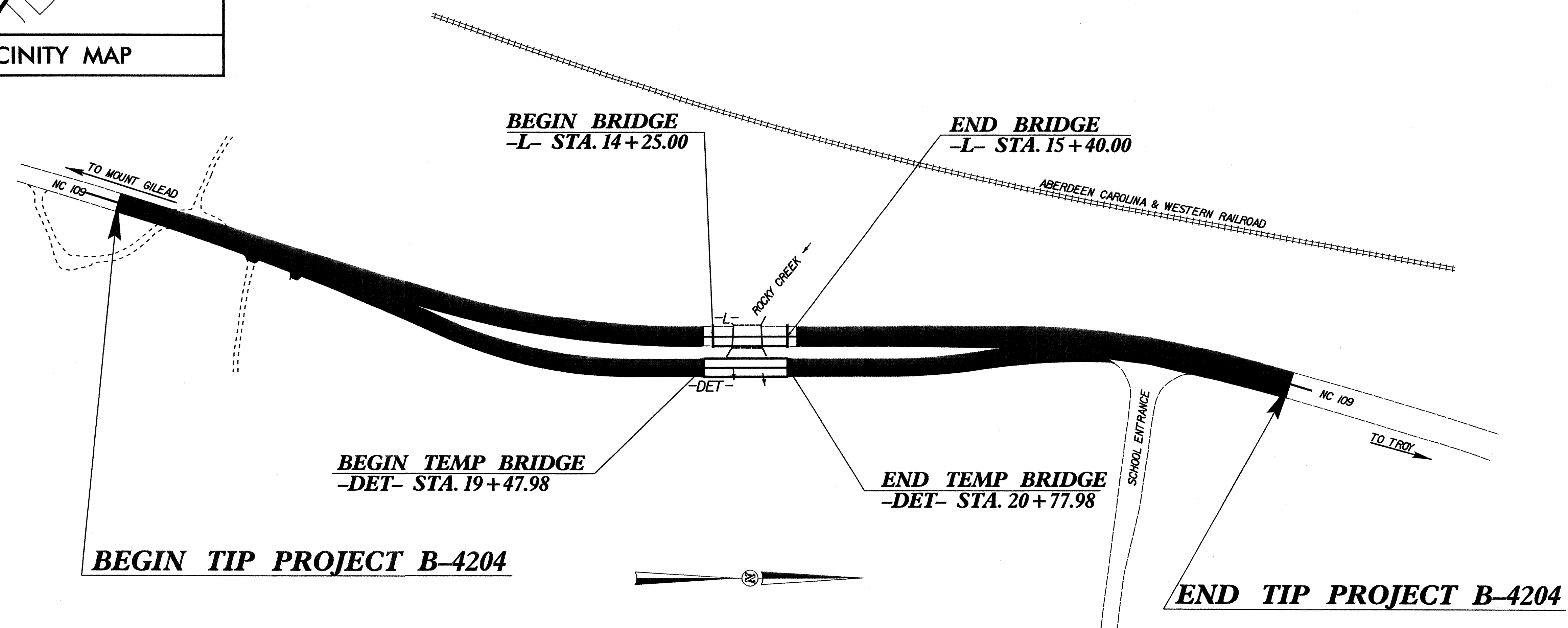
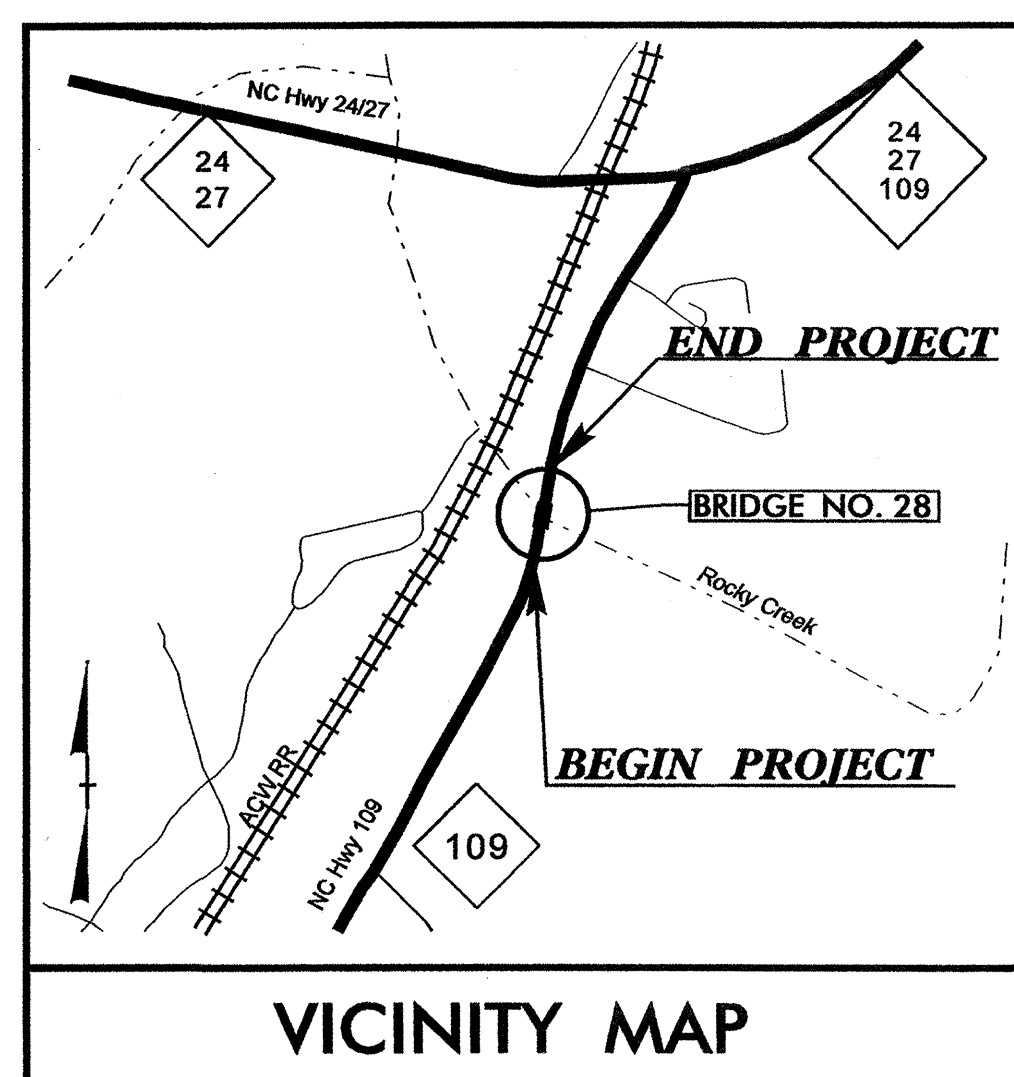


STATE OF NORTH CAROLINA
DIVISION OF HIGHWAYS

MONTGOMERY COUNTY

LOCATION: BRIDGE NO. 28 OVER ROCKY CREEK ON NC 109

TYPE OF WORK: RELOCATION OF SCHOOL FLASHER



Refer to "Roadway Standard Drawings NCDOT" dated July 2006 and "Standard Specifications for Roads and Structures" dated July 2006.

Sheet #	Reference #	Index of Plans	Location/Description
Sig. 1	N/A	Title Sheet	School Flasher on NC 109 for West Montgomery Middle School
Sig. 2-3			

INTELLIGENT TRANSPORTATION AND SIGNALS UNIT
Contacts:
Robert J. Ziembra, PE - Central Region Signals Project Engineer

Prepared In the Office of:
DIVISION OF HIGHWAYS
TRANSPORTATION MOBILITY AND SAFETY DIVISION

750 N. Greenfield Parkway, Garner, NC 27529

28-OCT-2009 14:57 \\p1\signals\workgroups\tp_projects\b-4204\signals\design\titlesheet\b4204_sig_1_tsh.dgn Ziembra

Project: B-4204

WBS: 33551.1.1

SIGNAL FACE	INTERVAL	
	1	2
21	ON	OFF
22	OFF	ON

SIGNAL FACE I.D.

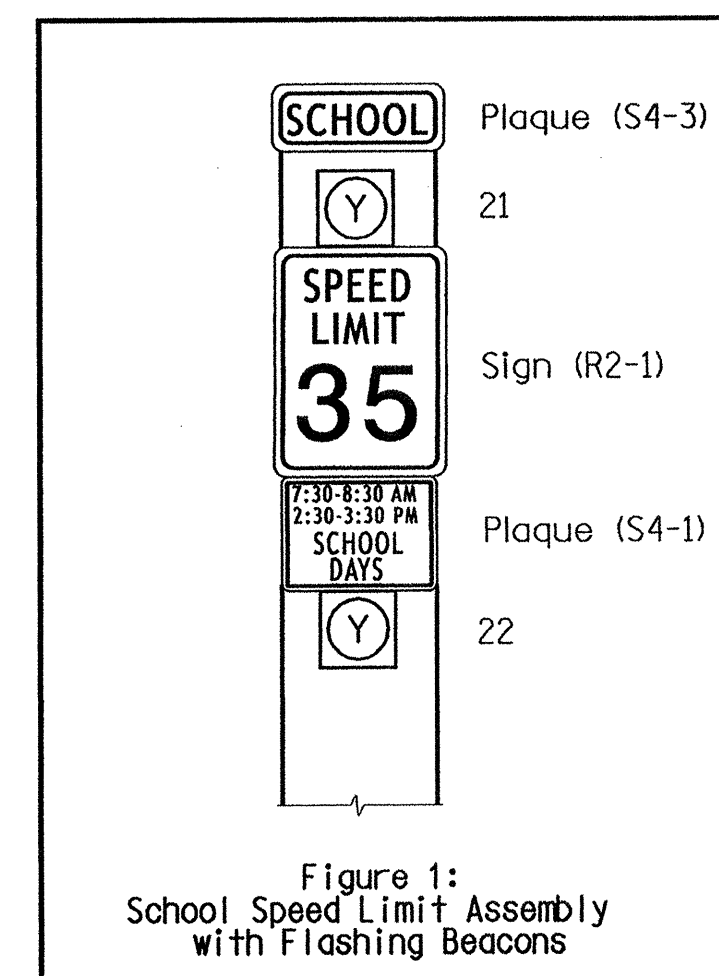
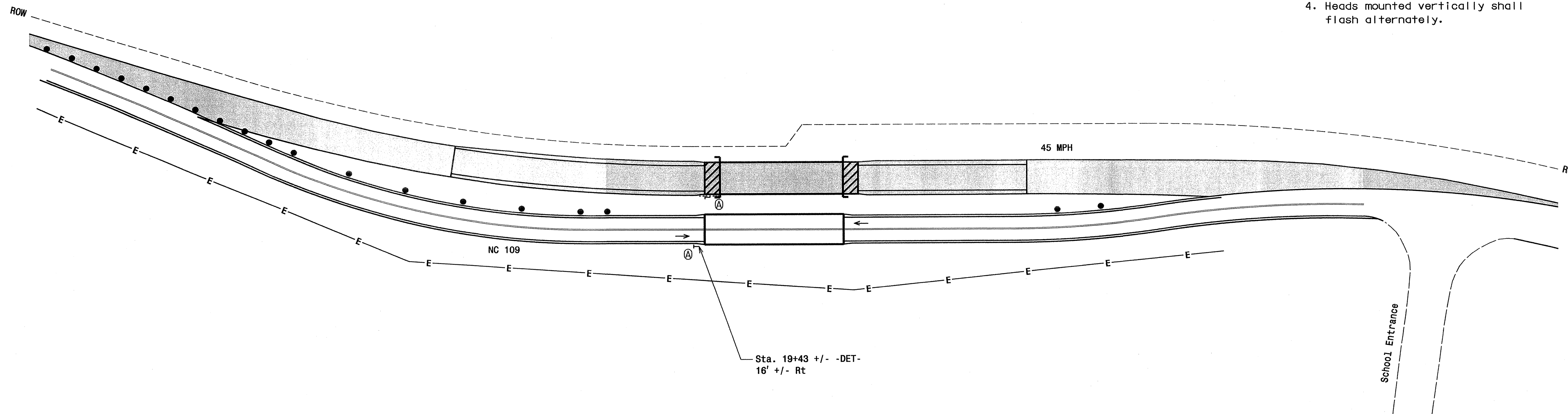
All Heads L.E.D.



21
22

NOTES

1. Refer to "Roadway Standard Drawings NCDOT" dated July 2006 and "Standard Specifications for Roads and Structures" dated July 2006.
2. Locate all underground utilities prior to conduit trenching.
3. Relocate existing flashers and sign to new location as shown.
4. Heads mounted vertically shall flash alternately.



PROPOSED		EXISTING
→	Sign	→
●—●	Construction Zone Drums	●—●
▨	Construction Zone	▨
Ⓐ	School Speed Limit Assembly with Flashing Beacons (See Figure 1)	Ⓐ

Temporary Pattern - Construction Phase II

	<p>School Flasher on NC 109 for West Montgomery Middle School</p>		
	<p>Division 8 Montgomery County SW of Troy</p>		
<p>PLAN DATE: September 2009</p>		<p>REVIEWED BY:</p>	
<p>PREPARED BY: TS Thigpen</p>		<p>REVIEWED BY:</p>	
<p>750 N. Greenfield Pkwy, Garner, NC 27529</p>		<p>REVISIONS</p>	
<p>SCALE 0 50 1"=50'</p>		<p>INIT. DATE</p>	
<p>SIGNATURE: [Signature]</p>		<p>DATE: 10/20/09</p>	
<p>SIG. INVENTORY NO. None</p>		<p>SIG. INVENTORY NO. None</p>	

28-OCT-2009 15:41 S:\P115_Signal\work\nc109\sig\p115\p115-4204\sig\p115\school_flasher.dgn

SIGNAL FACE	INTERVAL	
	1	2
21	ON	OFF
22	OFF	ON

SIGNAL FACE I.D.

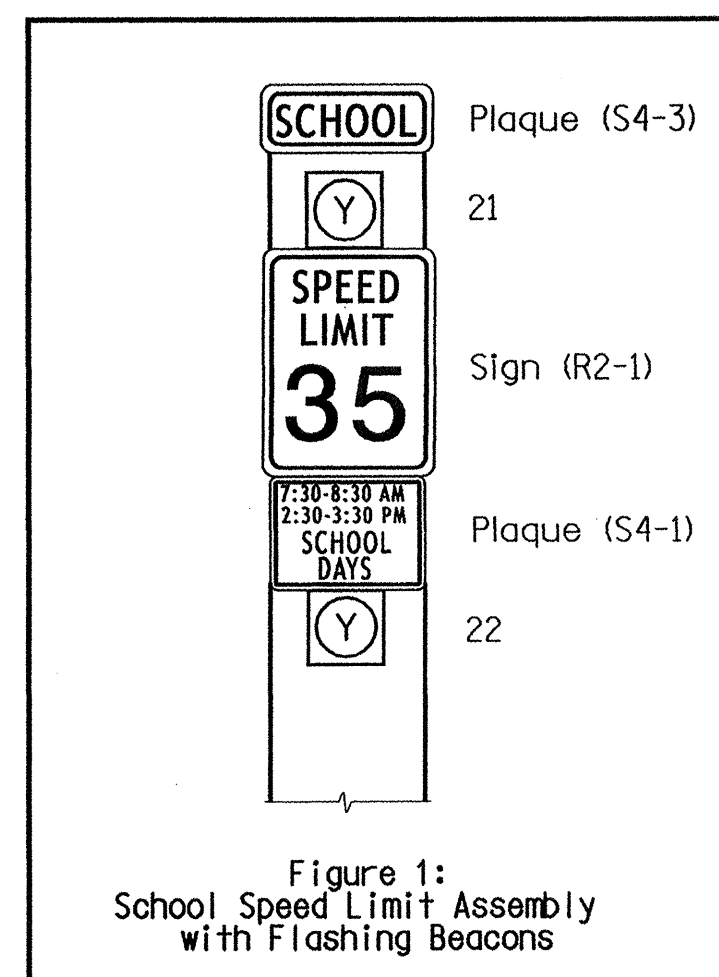
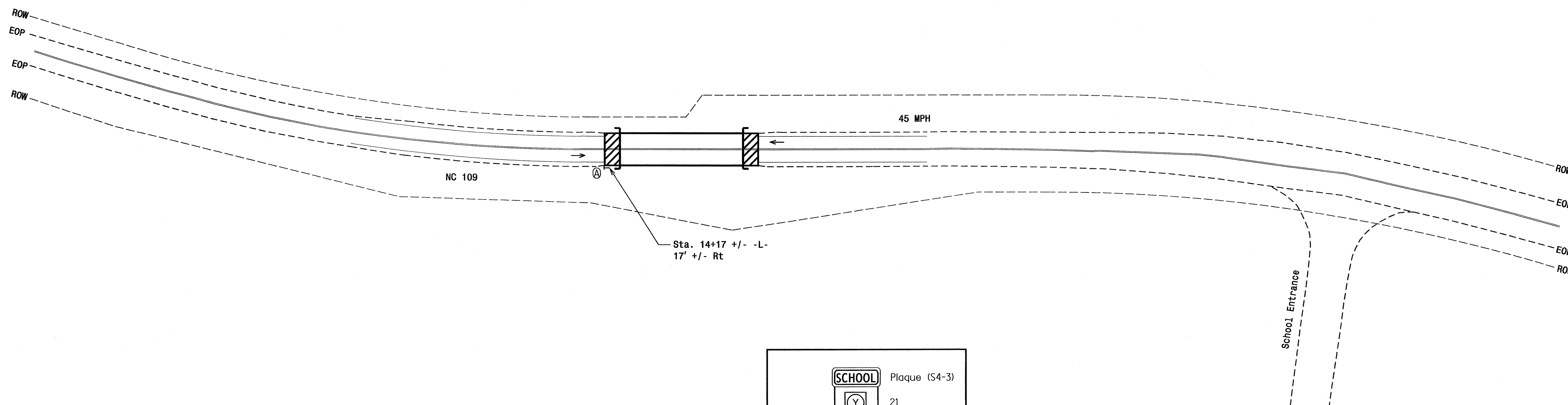
All Heads L.E.D.



21
22

NOTES

1. Refer to "Roadway Standard Drawings NCDOT" dated July 2006 and "Standard Specifications for Roads and Structures" dated July 2006.
2. Locate all underground utilities prior to conduit trenching.
3. Relocate existing flashers and sign to new location as shown.
4. Heads mounted vertically shall flash alternately.



LEGEND

- | | |
|--|-----------------|
| PROPOSED | EXISTING |
| → | → |
| ⊙ | ⊙ |
| School Speed Limit Assembly with Flashing Beacons (See Figure 1) | |

Final Design

	<p>School Flasher on NC 109 for West Montgomery Middle School</p>		
	<p>Division 8 Montgomery County SW of Troy</p>		
<p>PREPARED BY: TS Thigpen</p>		<p>REVIEWED BY:</p>	
<p>SCALE: 1" = 50'</p>		<p>INIT. DATE</p>	
<p>750 N. Greenfield Pkwy, Garner, NC 27529</p>		<p>SIGNATURE: <i>Robert J. Ziemba</i> DATE: 10/28/09</p>	
<p>None</p>		<p>None</p>	