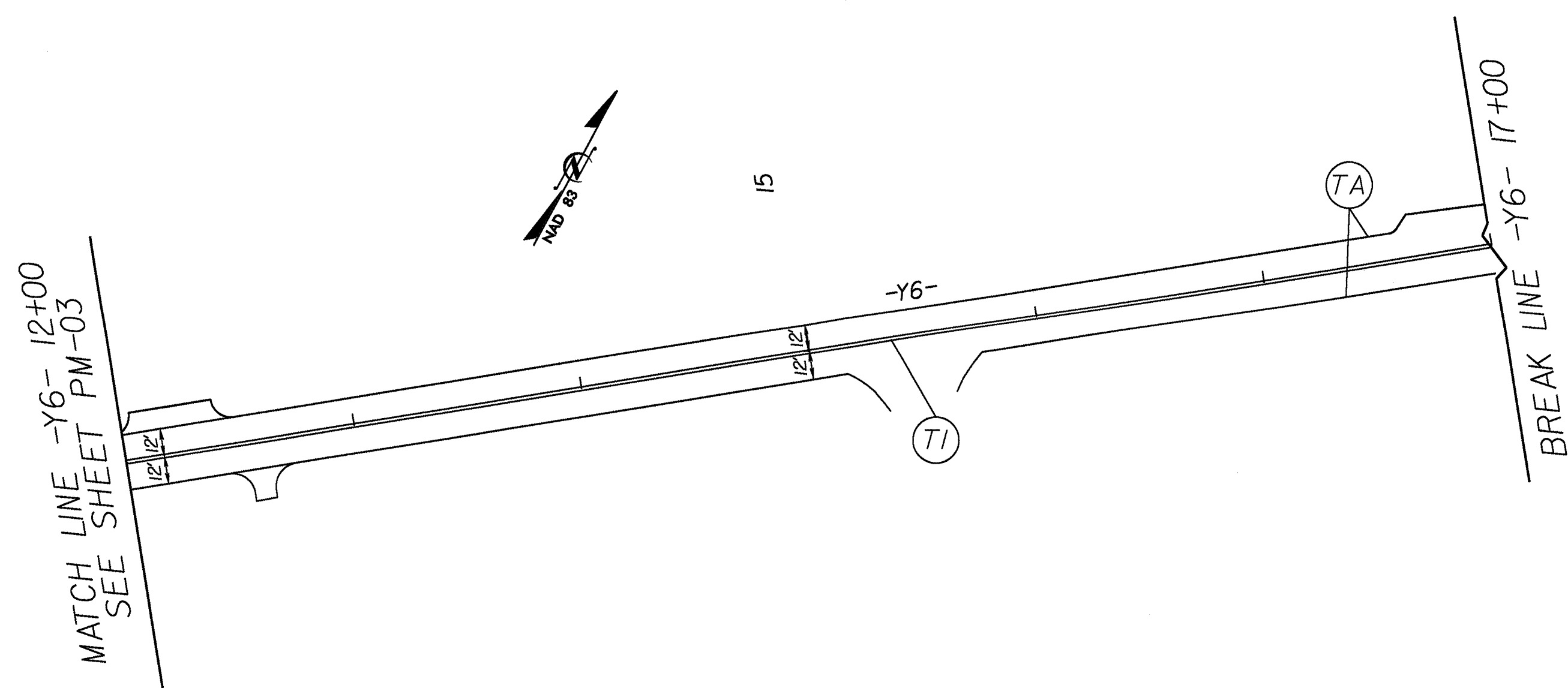
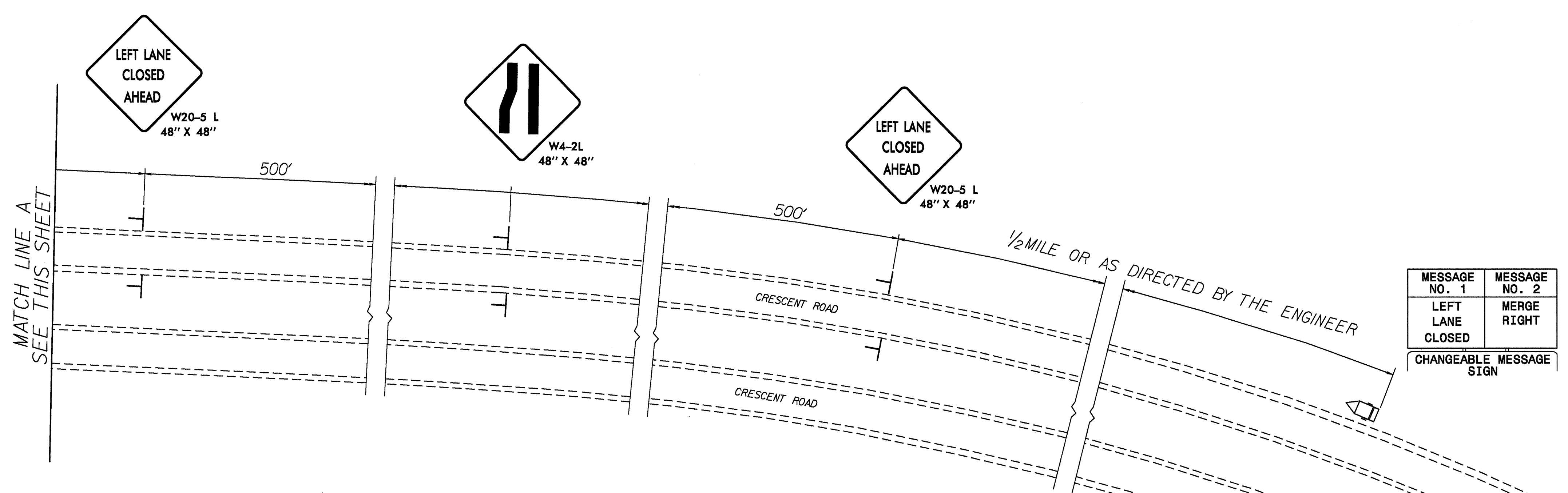
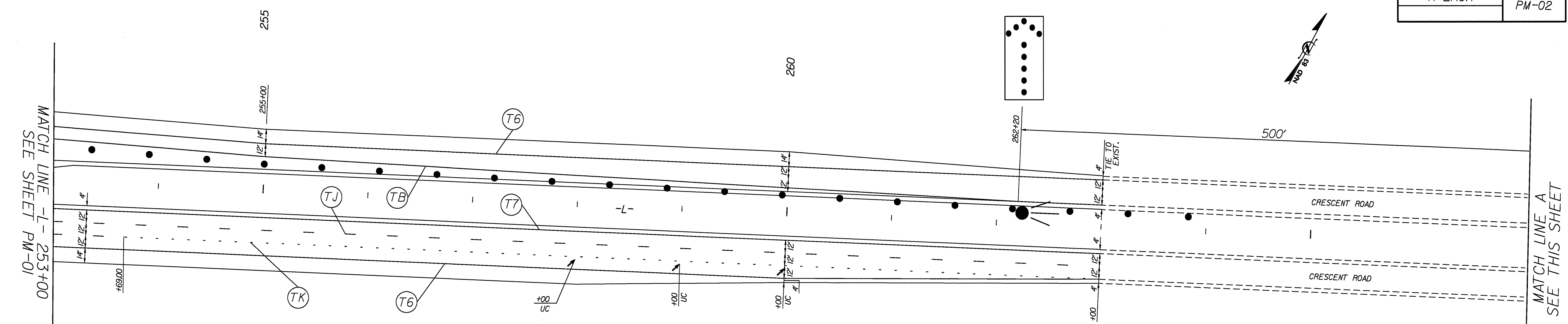


MESSAGE NO. 1	MESSAGE NO. 2
ALL TRAFFIC MUST EXIT	ALL TRAFFIC MUST EXIT
CHANGEABLE MESSAGE SIGN	

FINAL PAVEMENT MARKING (THERMOPLASTIC)	
T6 WHITE EDGE LINE (6')	TP WHITE GORE LINE (8')
T7 YELLOW EDGE LINE (6')	TY WHITE GORE LINE (12')
TA WHITE EDGE LINE (4')	TZ WHITE STOP BAR (24')
TB YELLOW EDGE LINE (4')	UA LEFT TURN ARROW
TC 10' WHITE SKIP (4')	UB RIGHT TURN ARROW
TD 2' WHITE MINI SKIP (4')	UC STRAIGHT ARROW
TE WHITE SOLID LANE LINE (4')	UE COMB. STRT & RT TURN ARROW
TF 10' YELLOW SKIP (4')	ME YEL/YEL SNOWPLOWABLE MARKER
TH YELLOW SGL CENTERLINE (4')	MF CRYSTAL/RED SNOWPLOWABLE MARKER
TJ 10' WHITE SKIP (6')	
TK 2' WHITE MINI SKIP (6')	
TL WHITE LANE LINE (6')	

\$\$\$\$\$SYTIME\$\$\$\$\$
 \$\$\$SDGN\$\$\$\$\$
 \$\$\$SERNAME\$\$\$\$\$

APPROVED: _____ DATE: _____	<h3 style="text-align: center;">PAVEMENT MARKING US 258 INTERCHANGE</h3>	SCALE:	REVISIONS
		DATE: 01/2009	
		DWG. BY: LHM	
		DESIGN BY: JAK	
		REVIEWED BY: MDL	



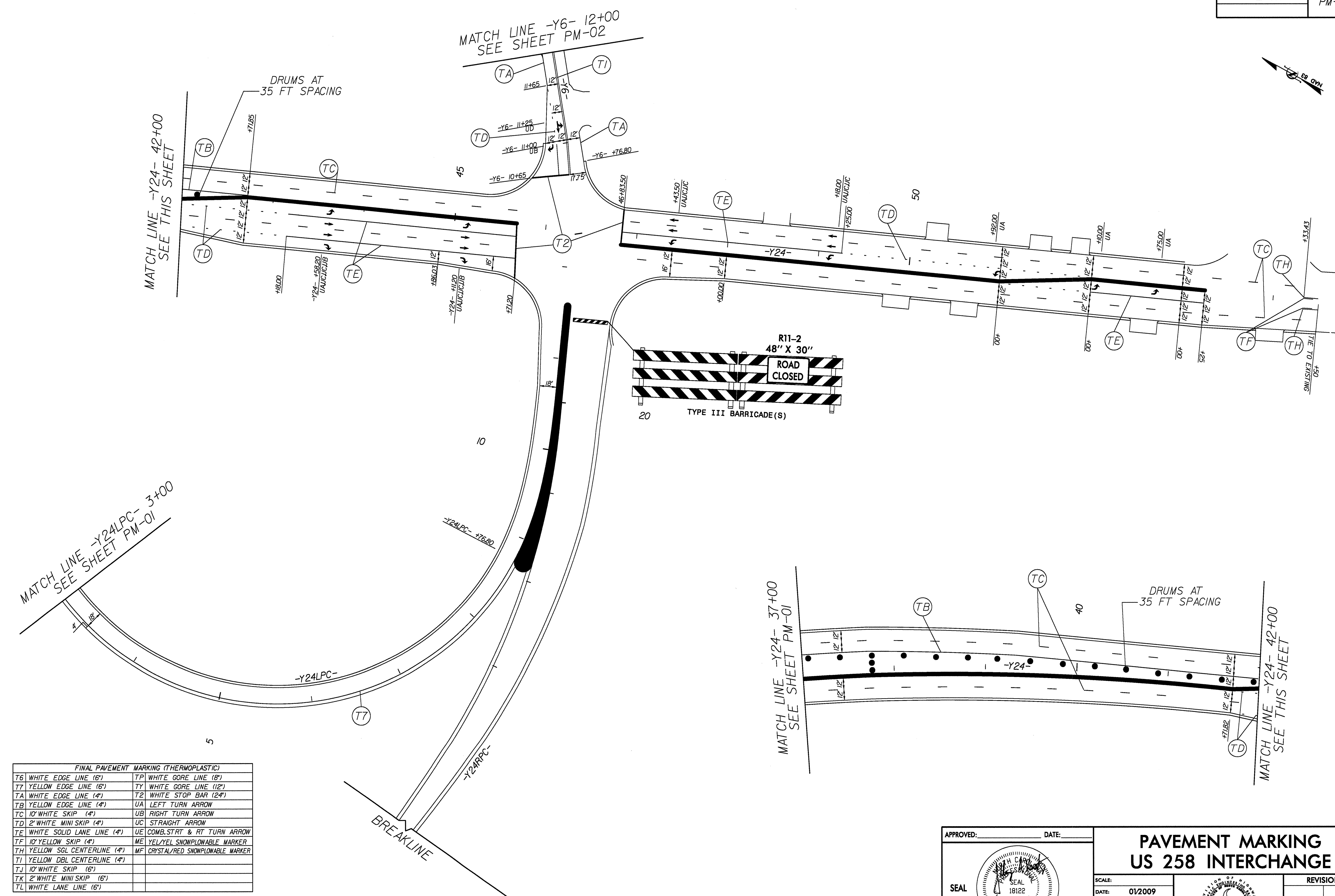
FINAL PAVEMENT MARKING (THERMOPLASTIC)	
T6 WHITE EDGE LINE (6')	TP WHITE GORE LINE (8')
T7 YELLOW EDGE LINE (6')	TY WHITE GORE LINE (12')
TA WHITE EDGE LINE (4')	T2 WHITE STOP BAR (24')
TB YELLOW EDGE LINE (4')	UA LEFT TURN ARROW
TC 10' WHITE SKIP (4')	UB RIGHT TURN ARROW
TD 2' WHITE MINI SKIP (4')	UC STRAIGHT ARROW
TE WHITE SOLID LANE LINE (4')	UE COMB. STRT & RT TURN ARROW
TF 10' YELLOW SKIP (4')	ME YEL/YEL SNOWPLOWABLE MARKER
TH YELLOW SGL CENTERLINE (4')	MF CRYSTAL/RED SNOWPLOWABLE MARKER
TI YELLOW DBL CENTERLINE (4')	
TJ 10' WHITE SKIP (6')	
TK 2' WHITE MINI SKIP (6')	
TL WHITE LANE LINE (8')	

APPROVED: _____ DATE: _____

**PAVEMENT MARKING
-L- AND POOLE RD**

SCALE:			<table border="1"> <tr> <th colspan="2">REVISIONS</th> </tr> <tr> <td> </td> <td> </td> </tr> <tr> <td> </td> <td> </td> </tr> <tr> <td> </td> <td> </td> </tr> </table>	REVISIONS							
REVISIONS											
DATE:	01/2009										
DWG. BY:	LHM										
DESIGN BY:	JAK										
REVIEWED BY:	MDL	<table border="1"> <tr> <td> </td> </tr> <tr> <td> </td> </tr> </table>									

\$\$\$\$\$SYTIME\$\$\$\$\$
\$\$\$\$\$DGN\$\$\$\$\$
\$\$\$\$\$USERNAME\$\$\$\$\$

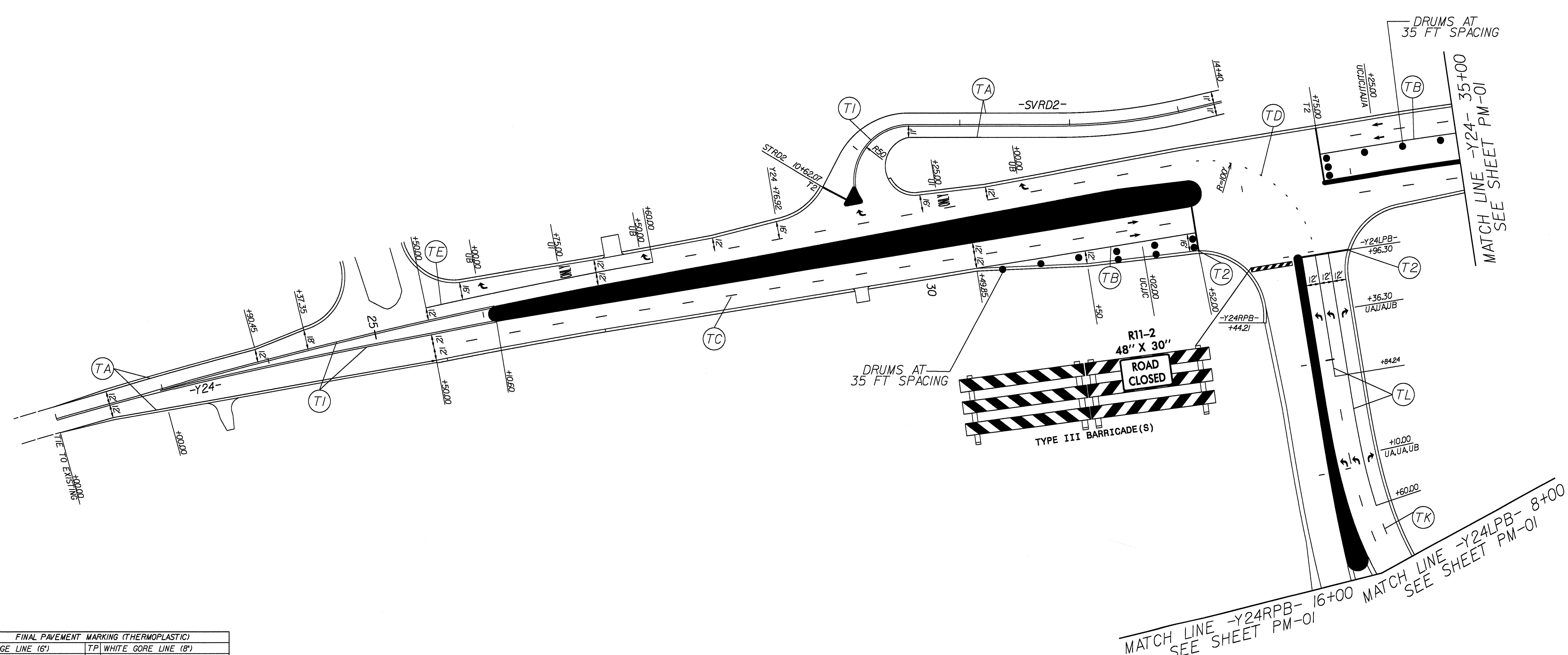
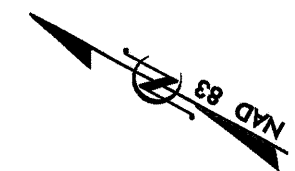


FINAL PAVEMENT MARKING (THERMOPLASTIC)

T6 WHITE EDGE LINE (6')	TP WHITE GORE LINE (8')
T7 YELLOW EDGE LINE (6')	TY WHITE GORE LINE (12')
TA WHITE EDGE LINE (4')	TZ WHITE STOP BAR (24')
TB YELLOW EDGE LINE (4')	UA LEFT TURN ARROW
TC 10' WHITE SKIP (4')	UB RIGHT TURN ARROW
TD 2' WHITE MINI SKIP (4')	UC STRAIGHT ARROW
TE WHITE SOLID LANE LINE (4')	UE COMB. STRT & RT TURN ARROW
TF 10' YELLOW SKIP (4')	ME YELLOW SNOWPLOWABLE MARKER
TH YELLOW SOL CENTERLINE (4')	MF CRYSTAL/RED SNOWPLOWABLE MARKER
TJ YELLOW DBL CENTERLINE (4')	
TJ 10' WHITE SKIP (6')	
TK 2' WHITE MINI SKIP (6')	
TL WHITE LANE LINE (6')	

APPROVED: _____	DATE: _____
PAVEMENT MARKING US 258 INTERCHANGE	
SCALE:	REVISIONS
DATE: 01/2009	
DWG. BY: LHM	
DESIGN BY: JAK	
REVIEWED BY: MDL	

\$\$\$\$\$SYTIME\$\$\$\$\$
\$\$\$\$\$USERNAME\$\$\$\$\$



FINAL PAVEMENT MARKING (THERMOPLASTIC)

T6 WHITE EDGE LINE (6')	TP WHITE GORE LINE (8')
T7 YELLOW EDGE LINE (6')	TY WHITE GORE LINE (12')
TA WHITE EDGE LINE (4')	TZ WHITE STOP BAR (24')
TB YELLOW EDGE LINE (4')	UA LEFT TURN ARROW
TC 10' WHITE SKIP (4')	UB RIGHT TURN ARROW
TD 2' WHITE MINI SKIP (4')	UC STRAIGHT ARROW
TE WHITE SOLID LANE LINE (4')	UE COMB. STRT & RT TURN ARROW
TF 10' YELLOW SKIP (4')	ME YEL/YEL SNOWPLOWABLE MARKER
TH YELLOW SGL CENTERLINE (4')	MF CRYSTAL/RED SNOWPLOWABLE MARKER
TJ YELLOW DBL CENTERLINE (4')	
TJ 10' WHITE SKIP (6')	
TK 2' WHITE MINI SKIP (6')	
TL WHITE LANE LINE (6')	

APPROVED: _____	DATE: _____	PAVEMENT MARKING US 258 INTERCHANGE		<table border="1"> <tr> <th colspan="2">REVISIONS</th> </tr> <tr> <td> </td> <td> </td> </tr> <tr> <td> </td> <td> </td> </tr> <tr> <td> </td> <td> </td> </tr> </table>	REVISIONS							
REVISIONS												
		SCALE: _____ DATE: 01/2009 DWG. BY: LHM DESIGN BY: JAK REVIEWED BY: MDL	CAD FILE: _____									

\$\$\$\$\$SYTIME\$\$\$\$\$
 \$\$\$DGN\$\$\$\$\$
 \$\$\$USERNAME\$\$\$\$\$