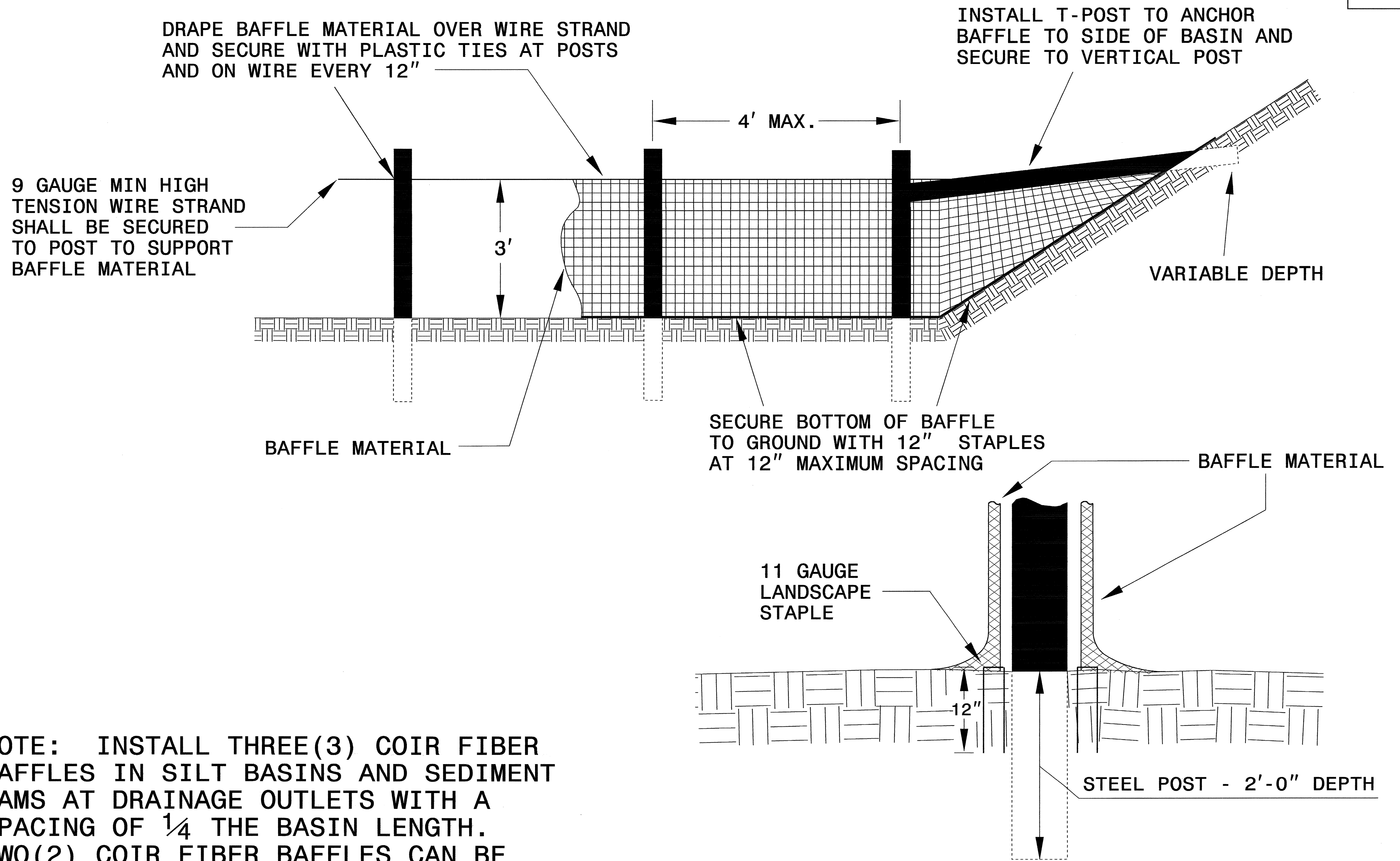


PROJECT REFERENCE NO. <i>B-2515</i>	SHEET NO. <i>EC-2</i>
RW SHEET NO.	
ROADWAY DESIGN ENGINEER	HYDRAULICS ENGINEER

COIR FIBER BAFFLE DETAIL

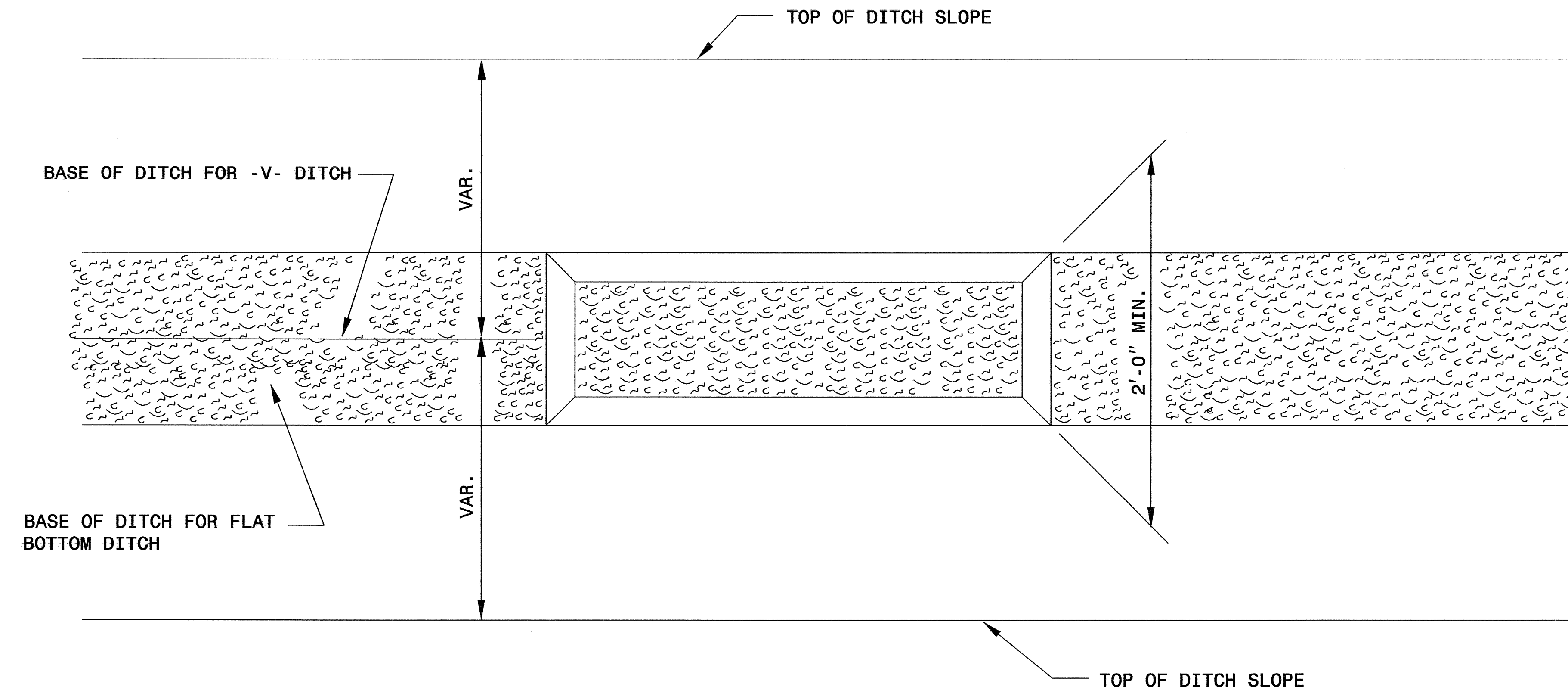


NOTE: INSTALL THREE(3) COIR FIBER BAFFLES IN SILT BASINS AND SEDIMENT DAMS AT DRAINAGE OUTLETS WITH A SPACING OF $\frac{1}{4}$ THE BASIN LENGTH. TWO(2) COIR FIBER BAFFLES CAN BE INSTALLED IN SILT BASINS AND DAMS LESS THAN 20 FT. IN LENGTH WITH A SPACING OF $\frac{1}{3}$ THE BASIN LENGTH.

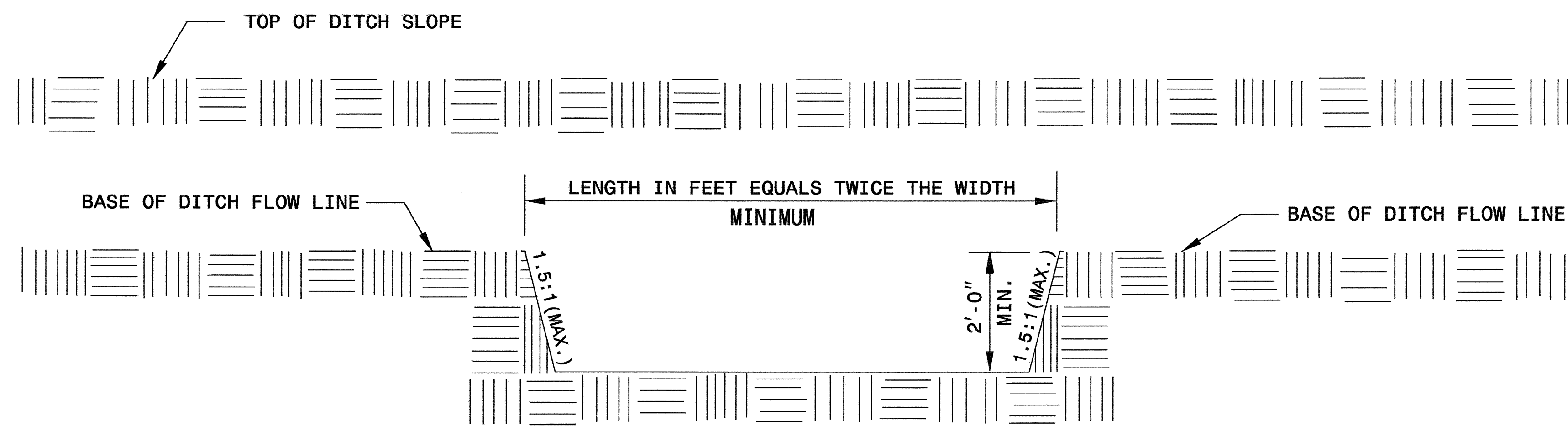
BAFFLE MATERIAL SHALL BE SECURED TO THE BOTTOM AND SIDES OF BASIN USING 12" LANDSCAPE STAPLES

PROJECT REFERENCE NO. <i>B-2515</i>	SHEET NO. <i>EC-2A</i>
RW SHEET NO.	
ROADWAY DESIGN ENGINEER	HYDRAULICS ENGINEER

SILT BASIN 'B' DETAIL



PLAN



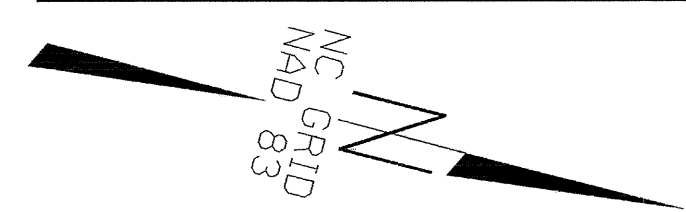
ELEVATION

PROJECT REFERENCE NO.	SHEET NO.
B-2515	EC-3/CONST.4
R/W SHEET NO.	HYDRAULICS ENGINEER
ROADWAY DESIGN ENGINEER	

CLEARING AND GRUBBING
EROSION CONTROL FOR
CONSTRUCTION SHEET 4

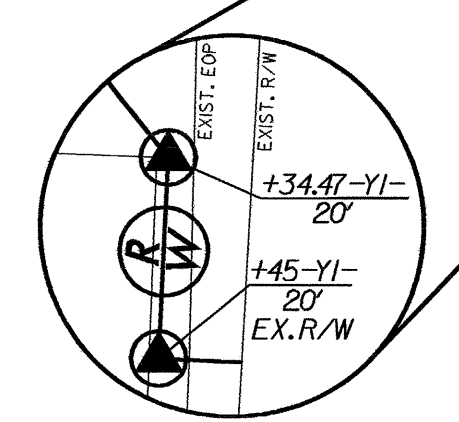
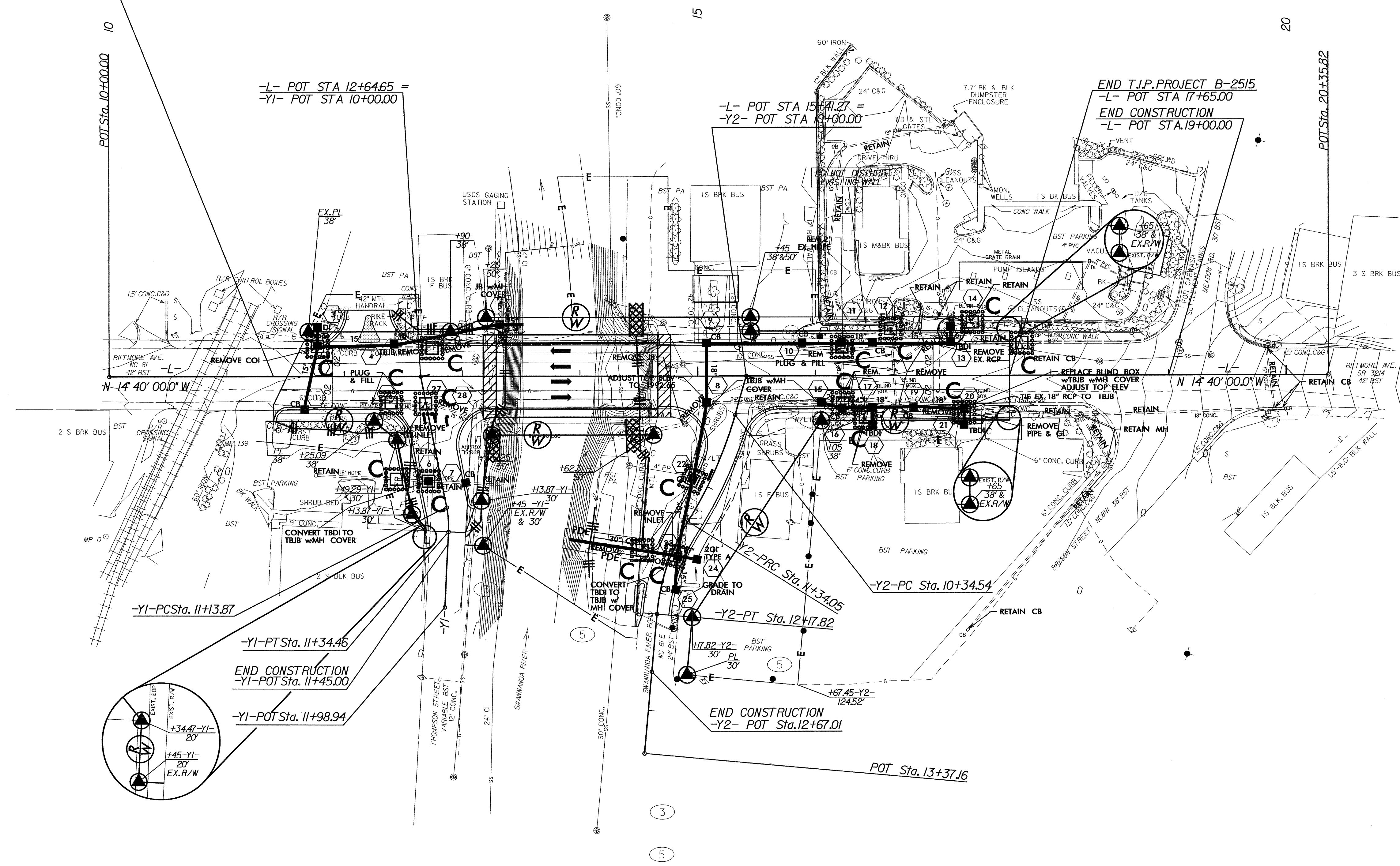
NOTE:
UTILIZE TEMPORARY ROCK SILT CHECK TYPE - A
AS STILLING BASIN WHERE APPLICABLE.

NOTE:
PLACE TEMPORARY ROCK SEDIMENT DAMS TYPE - B
AND TEMPORARY ROCK SILT CHECKS TYPE - A AT
DRAINAGE OUTLETS.



BEGIN T.J.P. PROJECT B-2515
-L- POT Sta. 10+00.00

END T.J.P. PROJECT B-2515
-L- POT Sta. 17+65.00
END CONSTRUCTION
-L- POT Sta. 19+00.00



8/17/99

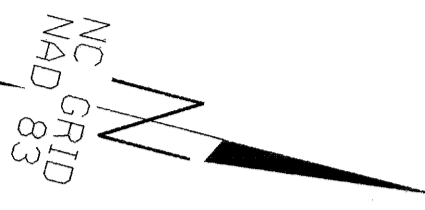
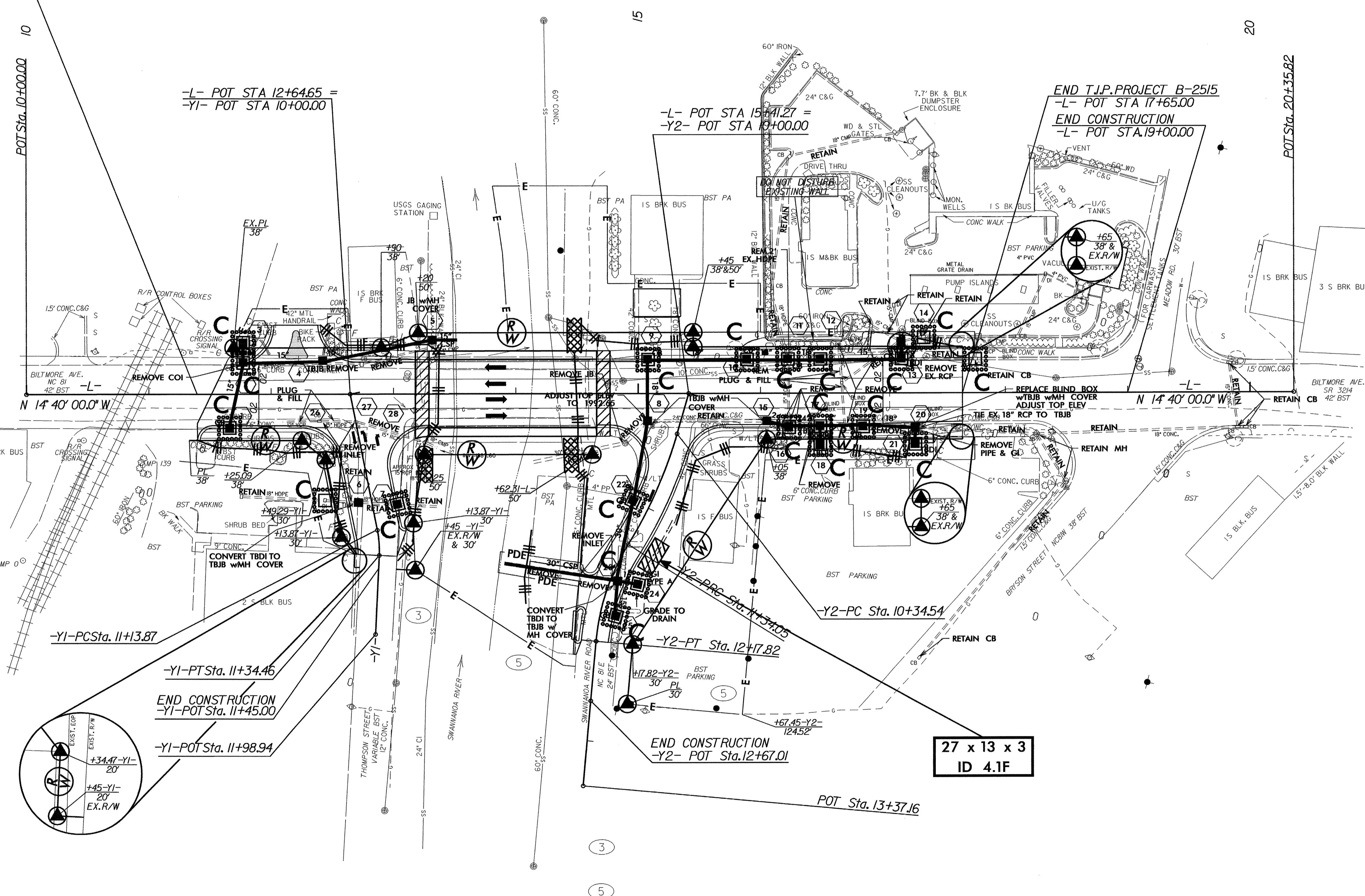
88USER**
 88DATE**
 88DGN**

8/17/99

NOTE:
UTILIZE TEMPORARY ROCK SILT CHECK TYPE - A
AS STILLING BASIN WHERE APPLICABLE.

PROJECT REFERENCE NO. B-2515		SHEET NO. EC-4/CONST.4	
RW SHEET NO.			
ROADWAY DESIGN ENGINEER		HYDRAULICS ENGINEER	

BEGIN T.J.P. PROJECT B-2515
-L- POT Sta. 11+39.60



80000000
80000000
80000000
80000000