

TIP NO. U-3303A/B	SHEET NO. SIGN-1
APPROVED: _____	
DATE: _____	
SEAL	



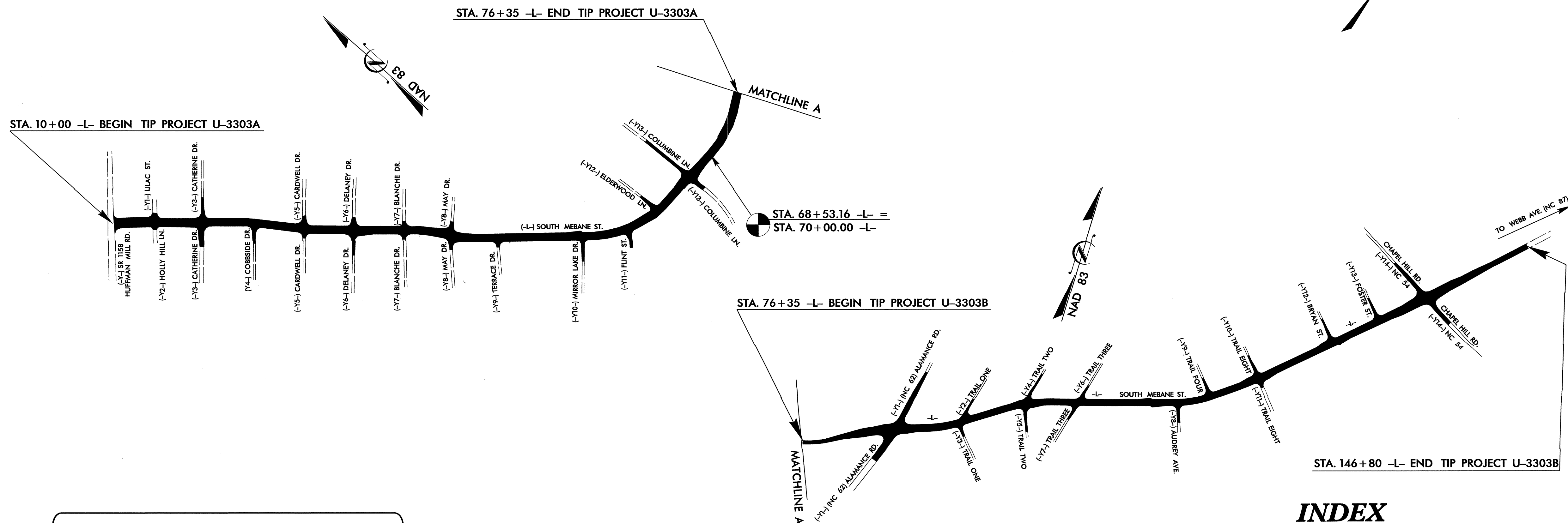
**STATE OF NORTH CAROLINA
DEPARTMENT OF TRANSPORTATION**

**SIGNING PLANS
ALAMANCE COUNTY**

**LOCATION: BURLINGTON – SR 1306 (SOUTH MEBANE ST.) FROM
SR 1158 (HUFFMAN MILL RD.) TO NC 54 (CHAPEL HILL RD.)**

T.I.P.: U-3303A/B

CONTRACT: C201966



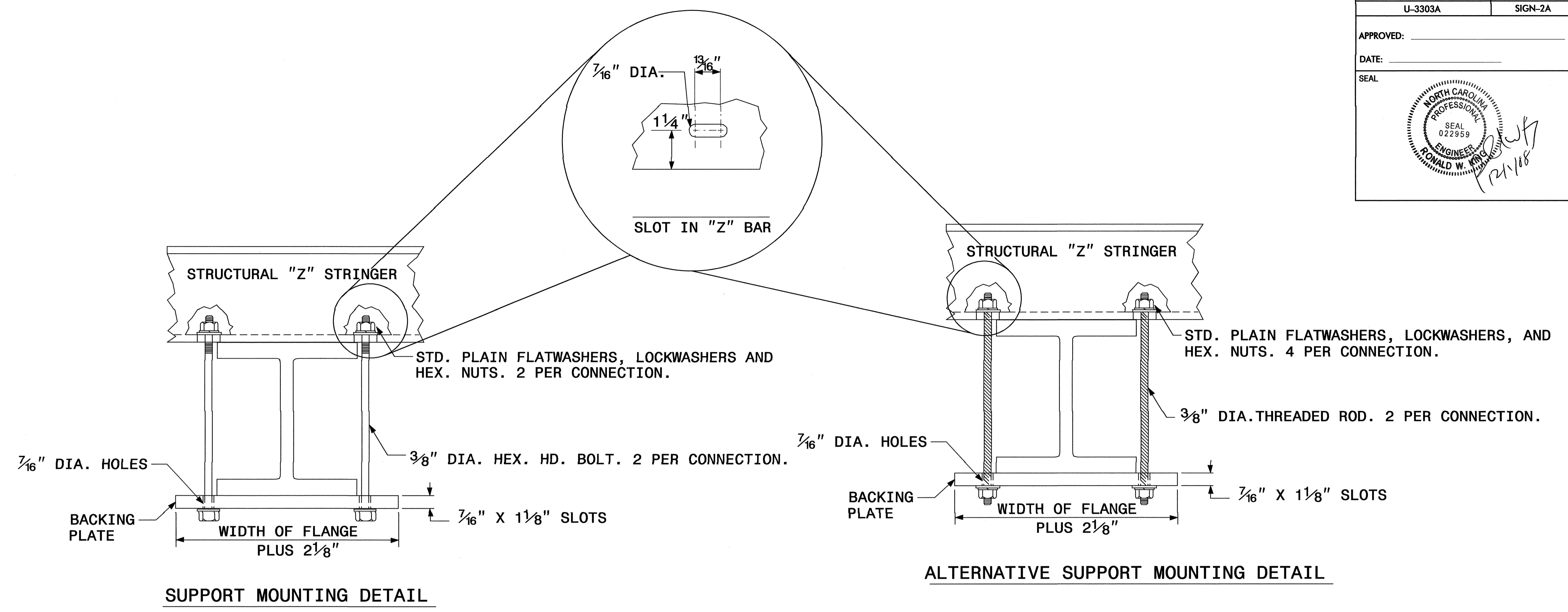
PLAN PREPARED BY: N.C.D.O.T. SIGNING SECTION

RON KING, P.E.	STATE SIGNING ENGINEER
AYMAN ALQUDWAH, P.E.	SIGNING CONTRACTS ENGINEER
SAMUEL COLEMAN, E.I.	SIGNING CONTRACTS PROJ. DESIGN ENG.
STACEY JOHNS	SIGNING CONTRACTS DESIGN ENGINEER

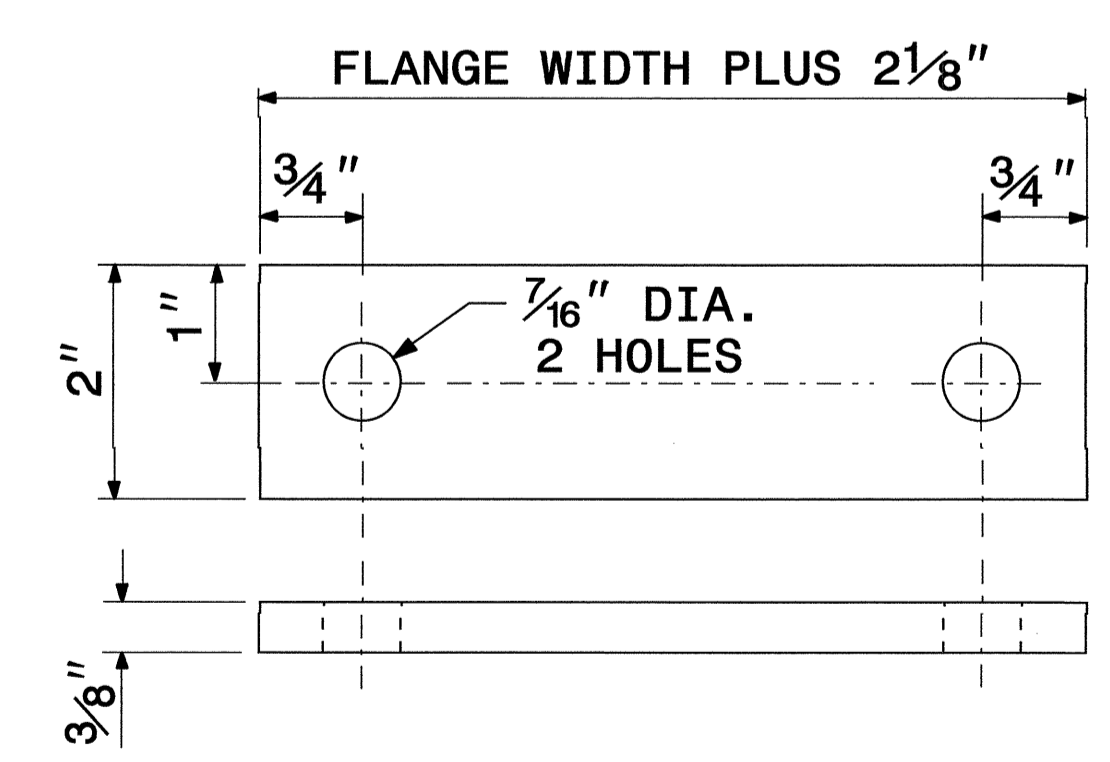
INDEX

SHEET NO.	DESCRIPTION
1	TITLE SHEET
2	SUMMARY OF QUANTITIES & NOTES
2A-2D	SUPPORT INFORMATION
3	E SHEET
3A	B & F SHEET
3A	SUPPORT CHART
4-13	SIGN ROADWAY SHEETS

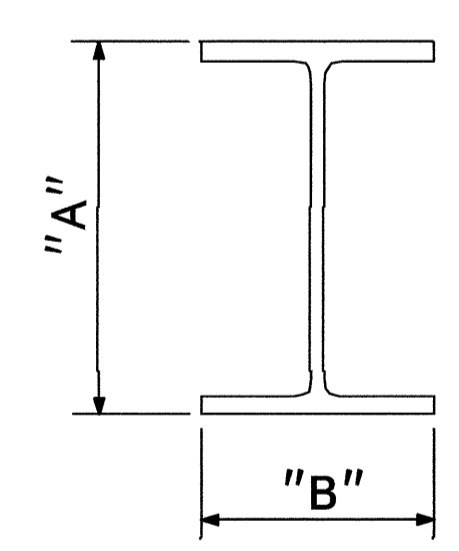
02-DEC-2008 11:00 P:\TIP-co\lets\c201966\signing\CADD\Signing\Layout Plans\Signing\Titlesheets.dgn s.johns



**BACKING PLATE
DETAIL**



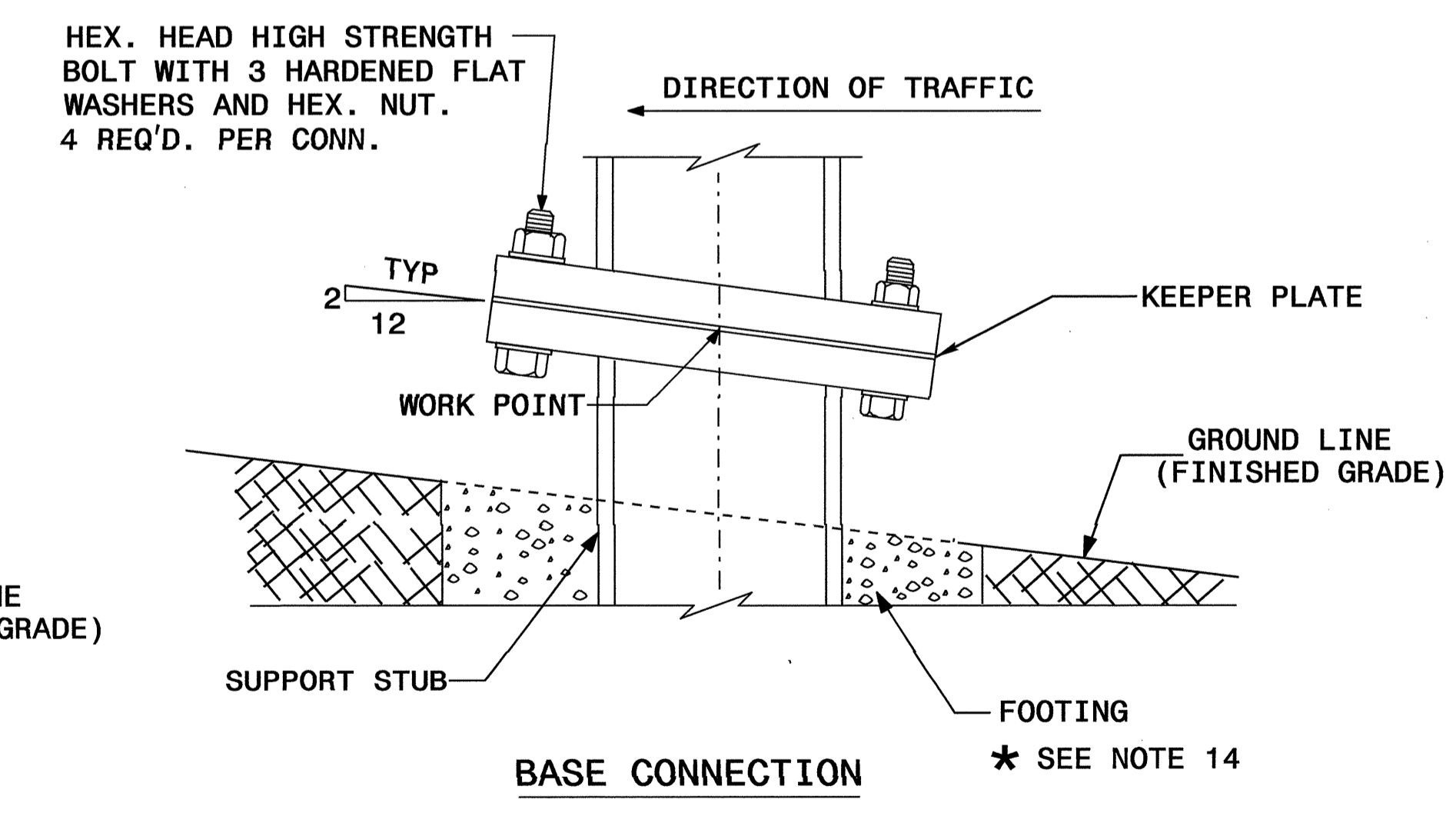
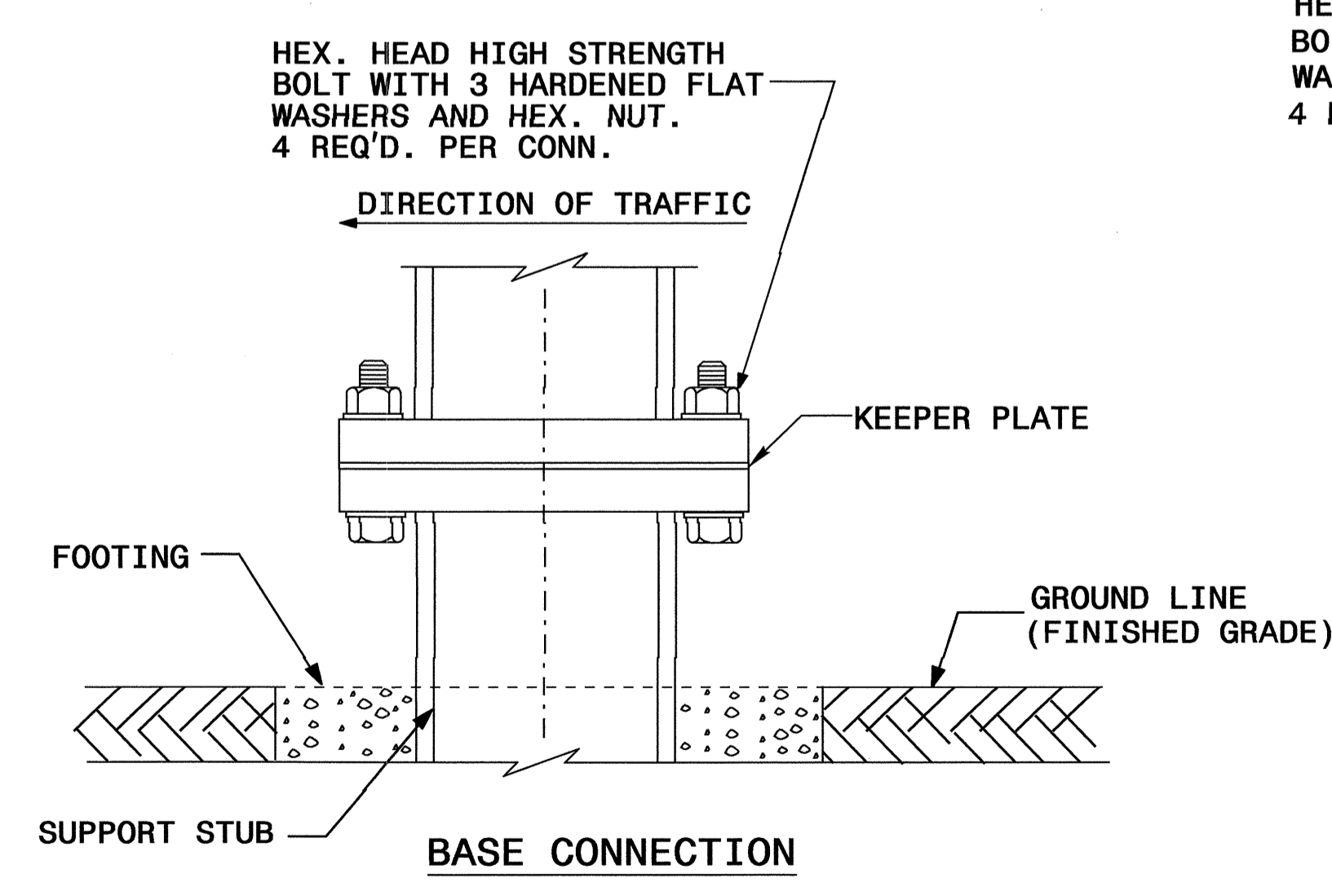
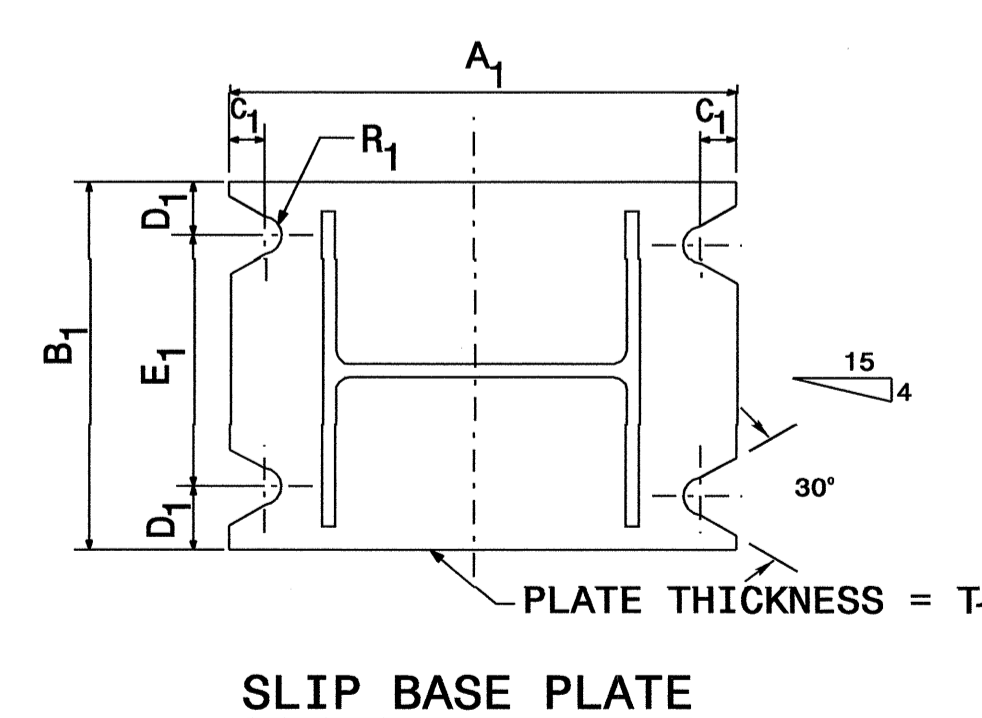
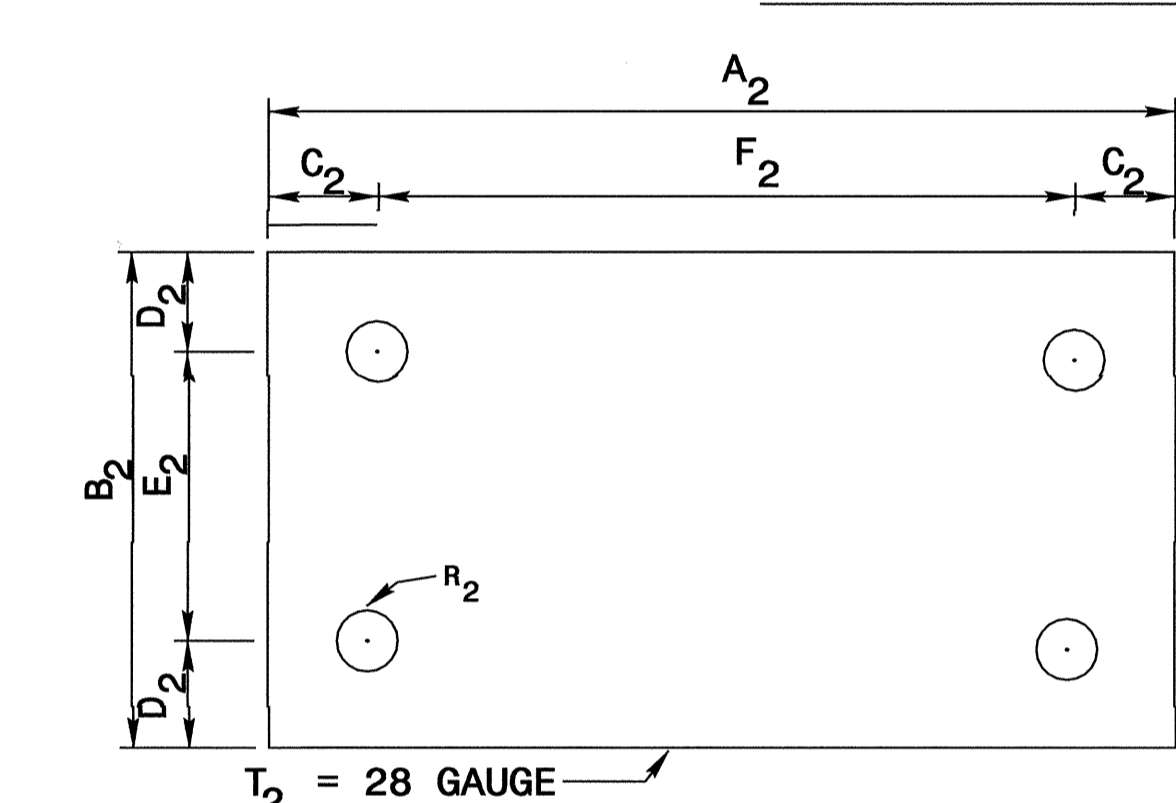
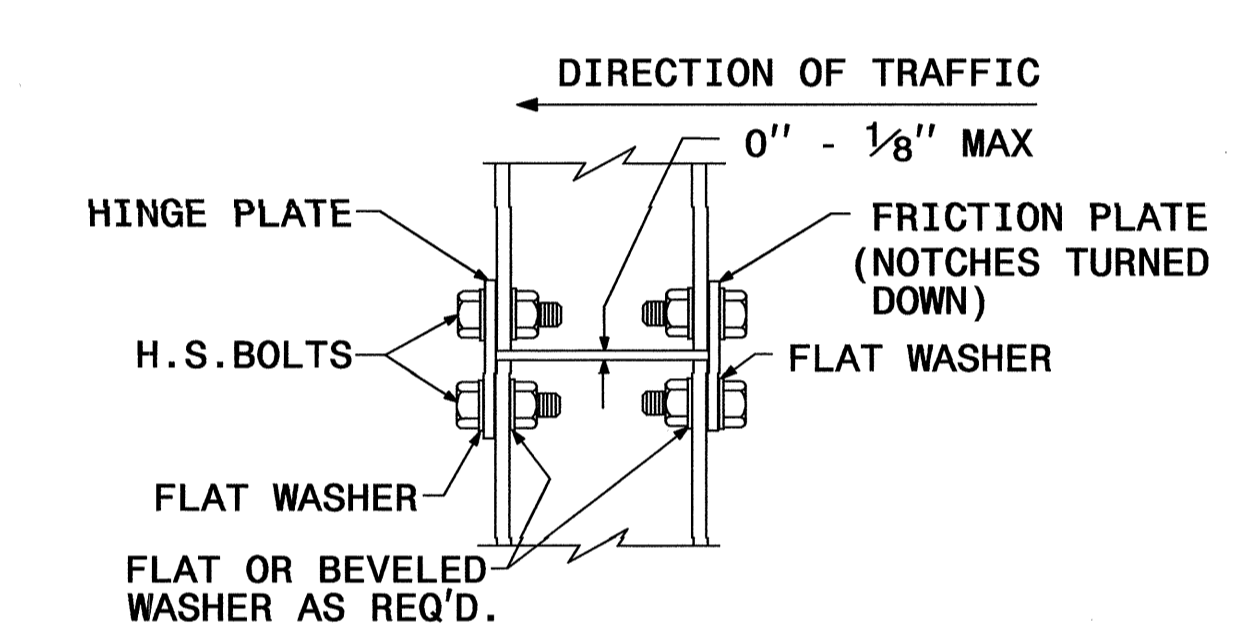
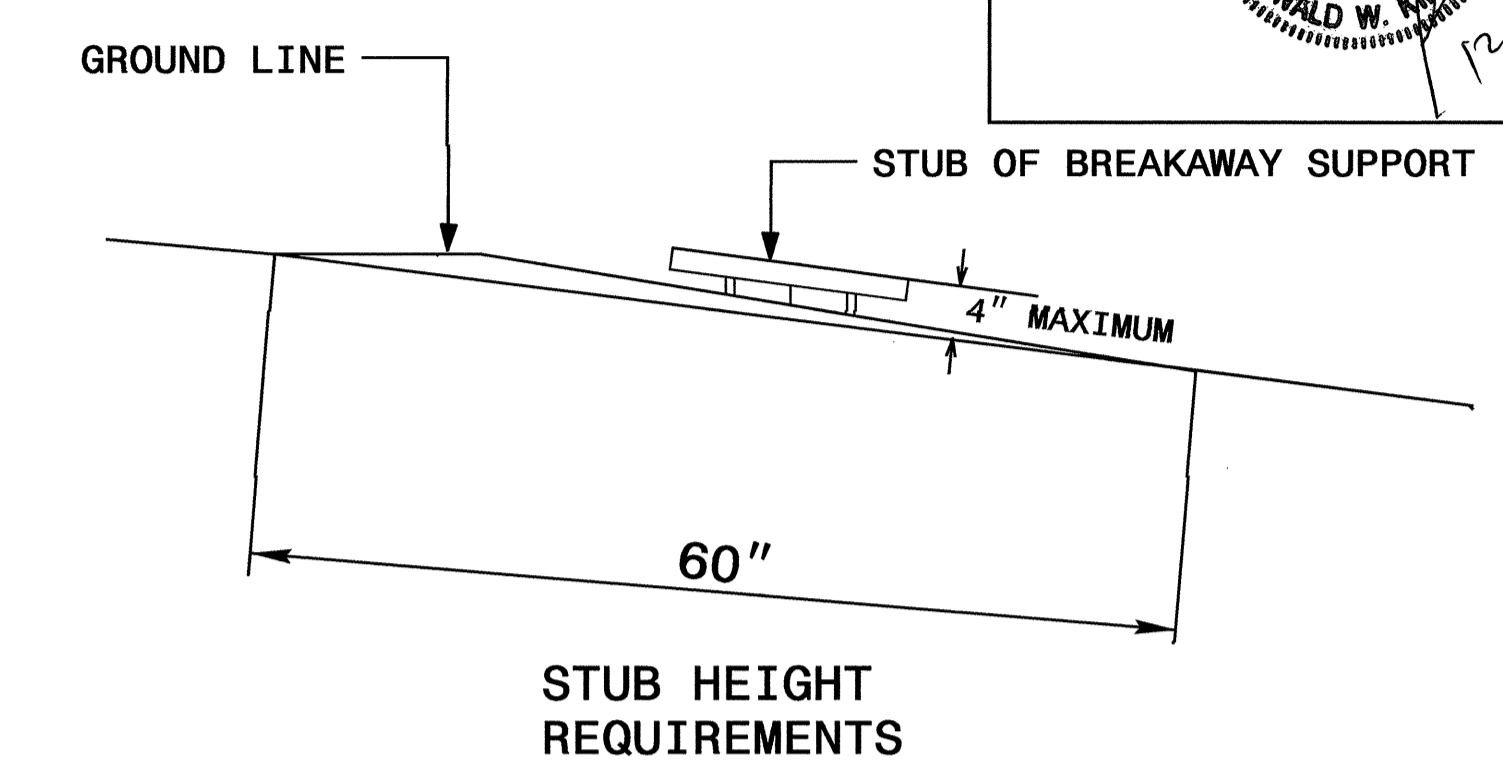
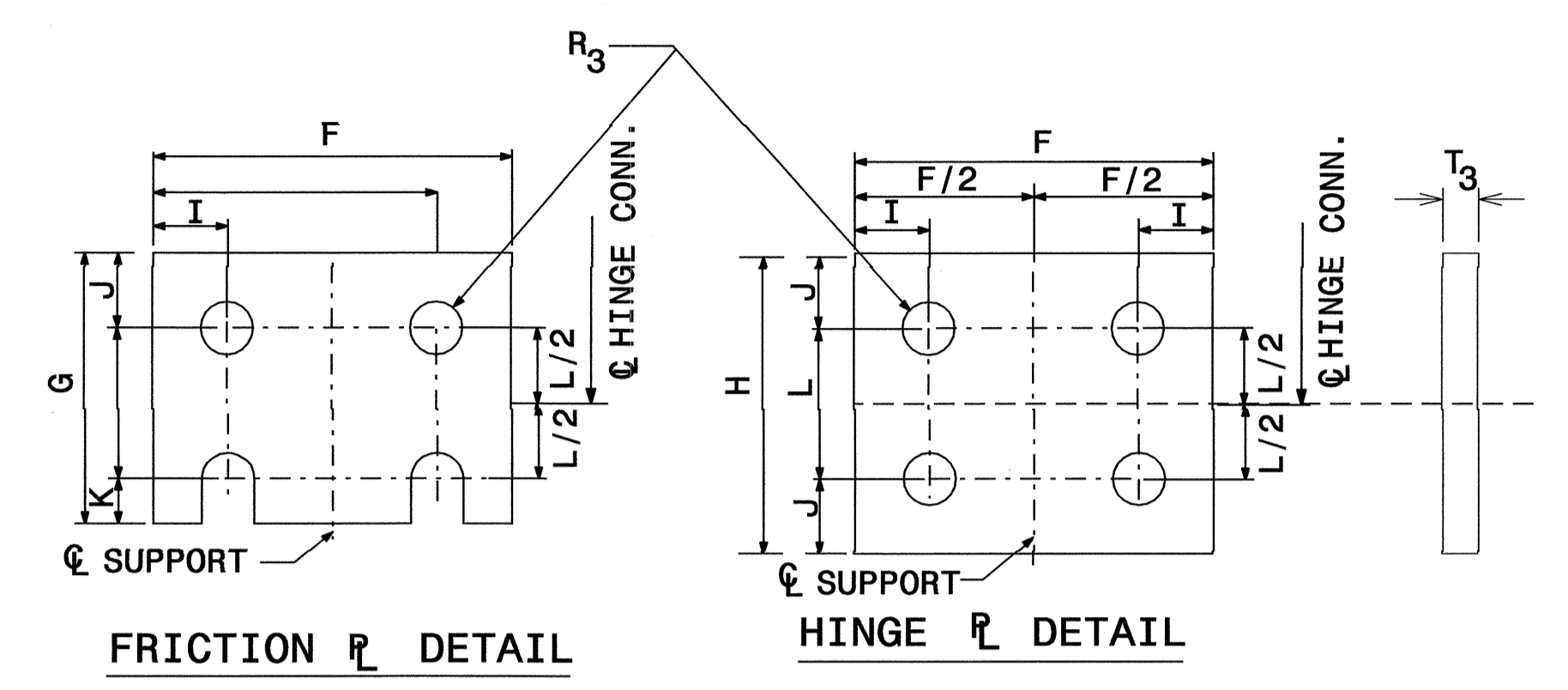
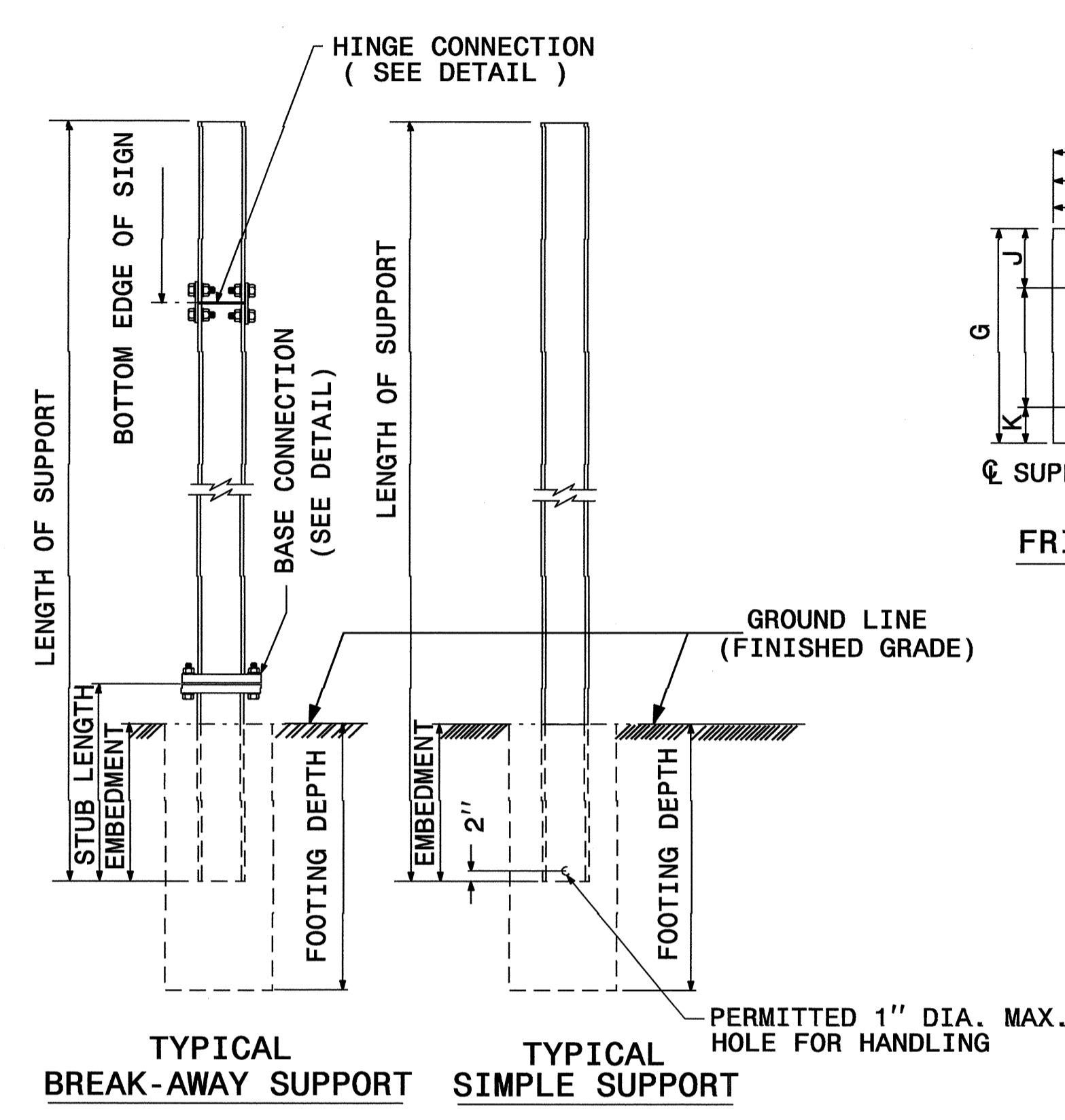
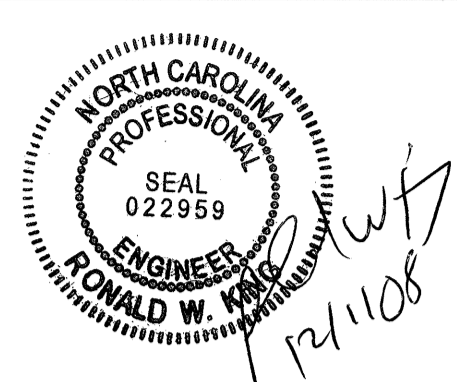
SIGN SUPPORTS SECTION DIMENSIONS



SECTION	A	B
S3 X 5.7	3"	2 3/8"
S4 X 7.7	4"	2 5/8"
W6 X 9	6"	4"
W6 X 12	6"	4"
W6 X 16	6 1/4"	4"
W8 X 18	8 1/8"	5 1/4"
W8 X 21	8 1/4"	5 1/4"
W10 X 22	10 1/8"	5 3/4"
W10 X 26	10 3/8"	5 3/4"
W12 X 26	12 1/4"	6 1/2"
W14 X 30	13 7/8"	6 3/4"
W16 X 31	15 7/8"	5 1/2"
W18 X 35	17 3/4"	6"
W18 X 40	17 7/8"	6"
W21 X 44	20 5/8"	6 1/2"

1. THE SUPPORT MOUNTING DETAIL SHOWS A "W" OR "S" BEAM. THIS DETAIL IS ALSO USED FOR MOUNTING SIGNS TO WOOD OR SQUARE TUBE SUPPORTS.
2. USE GALVANIZED STEEL FOR BACKING PLATES AND MOUNTING BOLTS IN ACCORDANCE WITH ASTM A123.
3. SEE NCDOT STANDARD SPECIFICATIONS FOR ROADS AND STRUCTURES FOR TYPE OF MATERIAL TO BE USED FOR SIGN HANGER ASSEMBLIES AND SUPPORTS.
4. USE GALVANIZED STEEL FOR MOUNTING BOLTS AND THREADED RODS IN COMPLIANCE WITH ASTM A307 AND ASTM A153.

SIGN MOUNTING DETAILS



GROUND MOUNTED SIGN SUPPORT

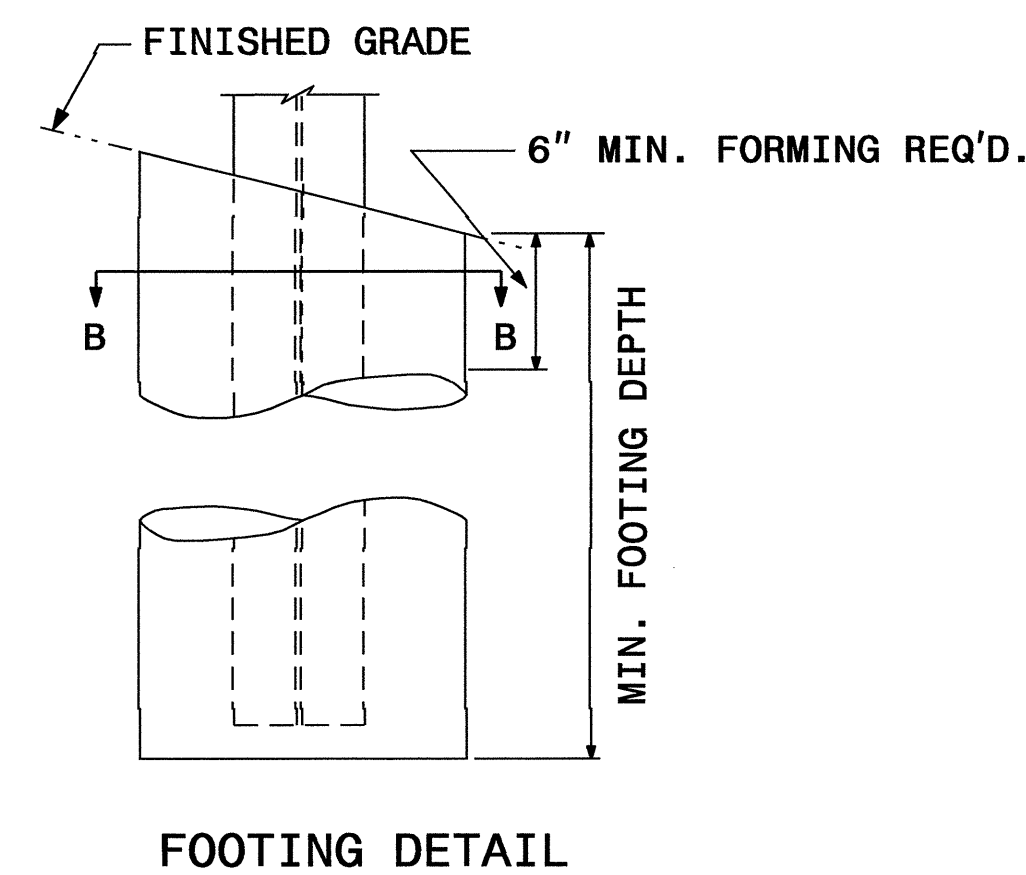
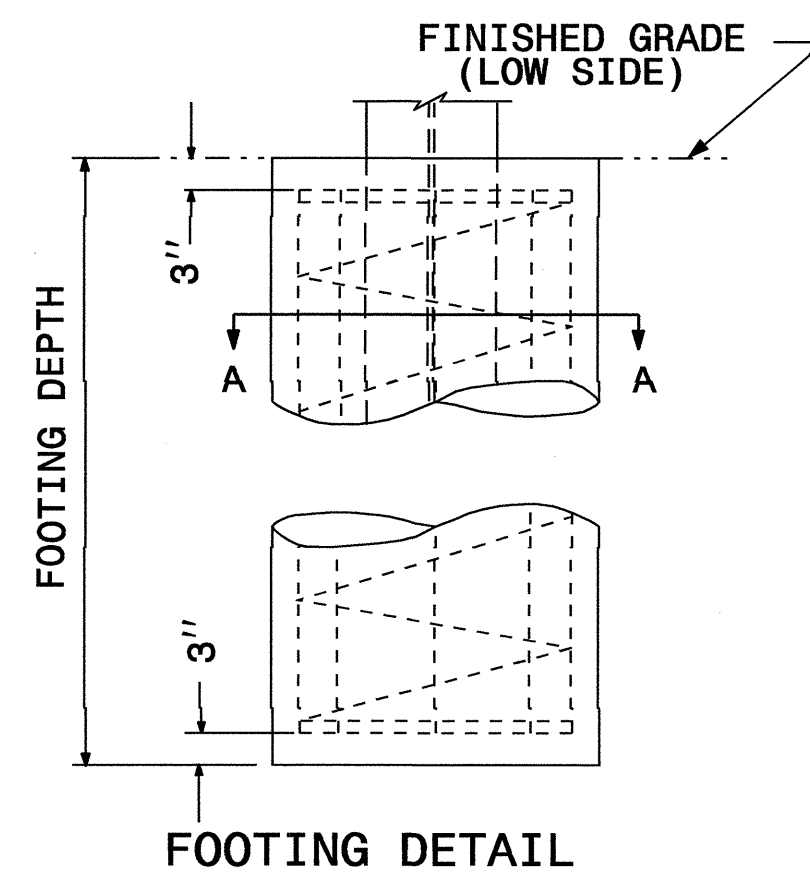
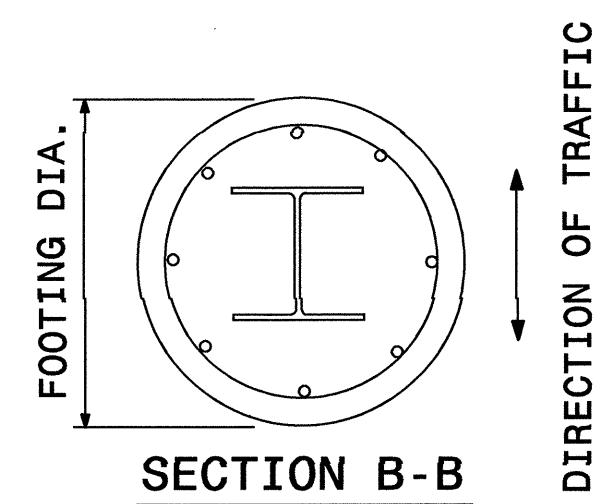
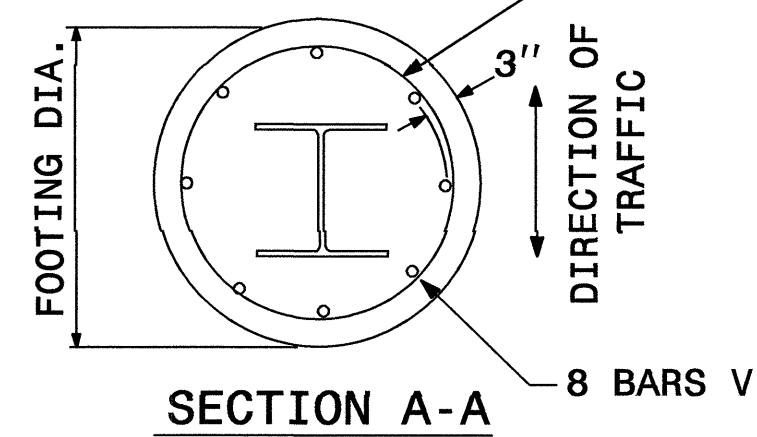
SEE SHEET SIGN-7 FOR DIMENSIONS.
SEE SHEET SIGN-8 FOR NOTES.

D:\Projects\2008_07\08_13303A\Traffic\Signing\CADD\Signing Layout Plans\Signing\Titlesheets.dgn
 sjohns - 11/15/08 2:16:42

TIP NO. U-3303	SHEET NO. SIGN-2C
APPROVED: _____	
DATE: _____	
SEAL	

BEAM SHAPE	SLIP BASE PLATE DATA								KEEPER PLATE DATA							HINGE CONNECTION DATA							BREAK AWAY SUPPORT WEIGHT CONSTANT LBS.			
	BOLT SIZE	A ₁	B ₁	C ₁	D ₁	E ₁	T ₁	R ₁	A ₂	B ₂	C ₂	D ₂	E ₂	R ₂	T ₂	BOLT SIZE	F	G	H	I	J	K		L	R ₃	T ₃
S3X5.7	1/2"DIA.X 3"	7"	4"	1"	3/4"	2 1/2"	1"	9/32"	7"	4"	1"	3/4"	2 1/2"	9/32"	28 GAUGE	1/2"DIA.X1 1/4"	2 1/4"	3 1/2"	4"	1 1/2"	1"	1 1/2"	2"	9/32"	3/8"	18
S4X7.7	1/2"DIA.X 3"	8"	4"	1"	3/4"	2 1/2"	1"	9/32"	8"	4"	1"	3/4"	2 1/2"	9/32"	28 GAUGE	1/2"DIA.X1 1/4"	2 5/8"	3 1/2"	4"	1 1/2"	1"	1 1/2"	2"	9/32"	3/8"	20
W6X9	1/2"DIA.X 3"	10"	5"	1"	3/4"	3 1/2"	1"	9/32"	10"	5"	1"	3/4"	3 1/2"	9/32"	28 GAUGE	1/2"DIA.X1 1/4"	4"	3 1/2"	4"	3/4"	1"	1 1/2"	2"	9/32"	3/8"	32
W6X12	5/8"DIA.X3 3/4"	11"	5"	1 1/4"	7/8"	3 1/4"	1 1/4"	1 1/32"	11"	5"	1 1/4"	7/8"	3 1/4"	1 1/32"	28 GAUGE	5/8"DIA.X2 1/4"	4"	4"	4 1/2"	3/4"	1 1/8"	5/8"	2 1/4"	1 1/32"	3/8"	39
W6X16	5/8"DIA.X3 3/4"	12"	6"	1 1/4"	7/8"	4 1/4"	1 1/2"	1 1/32"	12"	6"	1 1/4"	7/8"	4 1/4"	1 1/32"	28 GAUGE	5/8"DIA.X2 1/2"	4"	4"	4 1/2"	3/4"	1 1/8"	5/8"	2 1/4"	1 1/32"	1/2"	47
W8X18	5/8"DIA.X 4 1/4"	13 1/2"	6 1/2"	1 1/4"	7/8"	4 3/4"	1 1/2"	1 1/32"	13 1/2"	6 1/2"	1 1/4"	7/8"	4 3/4"	1 1/32"	28 GAUGE	5/8"DIA.X2 1/2"	5 1/4"	4"	4 1/2"	1"	1 1/8"	5/8"	2 1/4"	1 1/32"	1/2"	70
W8X21	3/4"DIA.X 4 1/4"	14"	7"	1 1/2"	1"	5"	1 1/2"	1 3/32"	14"	7"	1 1/2"	1"	5"	1 3/32"	28 GAUGE	3/4"DIA.X2 3/4"	5 1/4"	6"	7"	1"	1 3/4"	3/4"	3 1/2"	1 3/32"	1/2"	73
W10X22	3/4"DIA.X 4 1/4"	16"	8"	1 1/2"	1"	6"	1 1/2"	1 3/32"	16"	8"	1 1/2"	1"	6"	1 3/32"	28 GAUGE	3/4"DIA.X2 3/4"	5 3/4"	6"	7"	1"	1 3/4"	3/4"	3 1/2"	1 3/32"	1/2"	119
W10X26	3/4"DIA.X4 3/4"	16 1/2"	8"	1 1/2"	1"	6"	1 3/4"	1 3/32"	16 1/2"	8"	1 1/2"	1"	6"	1 3/32"	28 GAUGE	3/4"DIA.X2 3/4"	5 3/4"	6"	7"	1"	1 3/4"	3/4"	3 1/2"	1 3/32"	5/8"	140
W12X26	3/4"DIA.X4 3/4"	18 1/2"	9"	1 1/2"	1"	7"	1 3/4"	1 3/32"	18 1/2"	9"	1 1/2"	1"	7"	1 3/32"	28 GAUGE	3/4"DIA.X2 3/4"	6 1/2"	6"	7"	1"	1 3/4"	3/4"	3 1/2"	1 3/32"	5/8"	176
W14X30	1"DIA.X 5"	22"	9"	2"	1 1/2"	6"	2"	1 7/32"	22"	9"	2"	1 1/2"	6"	1 7/32"	28 GAUGE	1"DIA.X3"	6 3/4"	7"	8"	1 1/4"	2"	1"	4"	1 7/32"	5/8"	205
W16X31	1"DIA.X 5"	24"	9"	2"	1 1/2"	6"	2"	1 7/32"	24"	9"	2"	1 1/2"	6"	1 7/32"	28 GAUGE	1"DIA.X3 1/4"	5 1/2"	7"	8"	1 1/4"	2"	1"	4"	1 7/32"	3/4"	223
W18X35	1"DIA.X 5"	25"	9"	2"	1 1/2"	6"	2"	1 7/32"	25"	9"	2"	1 1/2"	6"	1 7/32"	28 GAUGE	1"DIA.X3 1/4"	6"	7"	8"	1 1/4"	2"	1"	4"	1 7/32"	3/4"	243
W18X40	1"DIA.X5 1/2"	26"	9"	2"	1 1/2"	6"	2 1/4"	1 7/32"	26"	9"	2"	1 1/2"	6"	1 7/32"	28 GAUGE	1"DIA.X3 3/4"	6"	7"	8"	1 1/4"	2"	1"	4"	1 7/32"	7/8"	278
W21X44	1"DIA.X5 1/2"	29"	9"	2"	1 1/2"	6"	2 1/2"	1 7/32"	29"	9"	2"	1 1/2"	6"	1 7/32"	28 GAUGE	1"DIA.X3 3/4"	6 1/2"	7"	8"	1 1/4"	2"	1"	4"	1 7/32"	7/8"	310

2" FLAT TURNS
TOP AND BOTTOM
(SEE NOTE 10)

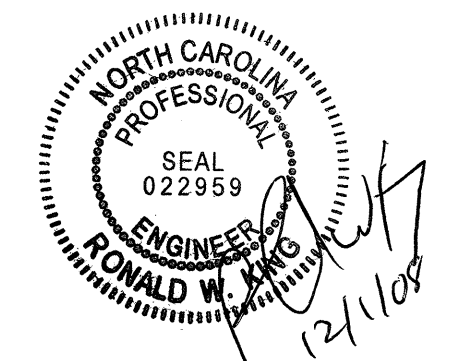


FOUNDATION DATA *		
FOOTING DIAMETER	REINFORCEMENT	SPIRAL BAR
1' 6"	8 # 6 BARS	#3 BAR, 3" PITCH
2'	8 # 7 BARS	#3 BAR, 3" PITCH
2' 6"	8 # 9 BARS	#3 BAR, 3" PITCH
3'	8 # 11 BARS	#3 BAR, 3" PITCH
3' 6"	8 # 12 BARS	#3 BAR, 3" PITCH
4'	8 # 14 BARS	#3 BAR, 3" PITCH

* FOUNDATION DIMENSIONS ARE SHOWN IN PLANS
SEE SHEET SIGN-8 FOR NOTES.

GROUND MOUNTED SIGN SUPPORT

TIP NO. U-3303A	SHEET NO. SIGN-2D
APPROVED: _____	
DATE: _____	
SEAL	



NOTES:

- DESIGN CONFORMS WITH THE SPECIFICATIONS FOR THE DESIGN AND CONSTRUCTION OF STRUCTURAL SUPPORTS FOR HIGHWAY SIGNS - A.A.S.H.T.O.
- USE MATERIALS, FABRICATE AND ERECT SIGNS AND SUPPORTS THAT CONFORM TO THE NORTH CAROLINA DEPARTMENT OF TRANSPORTATION STANDARD SPECIFICATIONS FOR ROADS AND STRUCTURES.
- USE HIGH STRENGTH BOLTS, NUTS AND WASHERS THAT CONFORM TO A.S.T.M. A-325 AND THAT ARE GALVANIZED IN ACCORDANCE WITH A.S.T.M. A-153.
- USE BACKING PLATES, SLIP BASE PLATES, FRICTION PLATES, AND HINGE PLATES THAT CONFORM TO A.S.T.M. A-36 AND THAT ARE GALVANIZED IN ACCORDANCE WITH A.S.T.M. A-123 PRIOR TO GALVANIZING, GRIND SMOOTH ANY METAL PROJECTION BEYOND THE PLATE FACE. KEEPER PLATES SHALL BE MANUFACTURED FROM 28 GAUGE SHEET STEEL THAT CONFORMS TO A.S.T.M. A-36 AND IS GALVANIZED IN ACCORDANCE WITH A.S.T.M. A-123
- ASSEMBLE HINGE CONNECTIONS IN THE SHOP. SHOP TIGHTEN BOLTS BY USE OF EITHER A CALIBRATED POWER WRENCH OR A MANUAL TORQUE WRENCH. TIGHTEN EACH HINGE CONNECTION BOLT TO 1/3 PAST SNUG.
- BASE PLATES DETAILS ARE FOR INSTALLATIONS ON THE RIGHT SHOULDER AND IN GORE AREAS.
- ASSEMBLE UPPER SUPPORT TO STUB AS SHOWN IN DETAIL. SLIP BASE PLATES SHALL BE FILLET WELDED ONTO POSTS ALL AROUND THE STRUCTURAL SHAPE SO AS TO INSURE NO LOSS OF STRENGTH. ASSEMBLE IN EITHER SHOP OR FIELD. 28 GAUGE KEEPER PLATE IS PLACED BETWEEN SLIP BASE PLATES TO PREVENT BOLT SLIPPING. TIGHTEN BOLTS TO THE FOLLOWING PRESCRIBED TORQUE:

BOLT DIAMETER	TORQUE (LB. FT.)
1/2"	9
5/8"	22
3/8"	37
1"	48

COMPLETELY ASSEMBLE B/A POSTS PRIOR TO ERECTION. B/A POST TO BE SET IN ONE PIECE. AFTER SUPPORT HAS BEEN ERECTED AND THE CONCRETE FOOTINGS HAS CURED AT LEAST 48 HRS., CLEAN CONCRETE FROM BASE CONNECTION BOLTS THEN LOOSEN AND RETIGHTEN EACH BOLT IN A SYSTEMATIC ORDER TO THE PRESCRIBED TORQUE. DO NOT OVERTIGHTEN. BURR ALL BOLT THREADS OF BASE CONNECTIONS TO PREVENT LOOSENING.

- USE REINFORCED FOOTINGS WITH DIMENSIONS AS SHOWN IN PLANS. WHERE SOLID ROCK IS ENCOUNTERED, THE ENGINEER DIRECTS WHETHER TO PLACE THE FOOTING AT THE PRESCRIBED DEPTH OR EXTEND IT AT LEAST TWO FEET INTO THE ROCK. CONSTRUCT ALL FOOTINGS OF CLASS A CONCRETE.
- FORM TOP 6" OF FOOTINGS. ENGINEER APPROVES THE METHOD USED.
- THE FINAL FLAT TURN OF SPIRAL OR HOOPS NO. 3 OR LARGER PLACED 3" FROM TOP AND BOTTOM OF FOOTING MAY BE WELDED TO VERTICAL REINFORCING BARS. NO OTHER WELDING WILL BE PERMITTED.
- ELIMINATE HINGE CONNECTION FOR ALL SINGLE SUPPORT SIGNS.
- DETAIL IS FOR ONE DIRECTION BREAKAWAY. WHEN PLANS REQUIRE A TWO DIRECTION BREAKAWAY, TWO FRICTION PLATES SHALL BE USED IN LIEU OF ONE FRICTION PLATE AND ONE HINGE PLATE.
- SHAPE THE TOPS OF THE FOOTINGS TO CONFORM WITH FINISHED GROUND ELEVATIONS SUCH THAT WATER WILL NOT COLLECT AGAINST THE SUPPORTS.
- IF THE GROUNDWATER IS ENCOUNTERED AT AN DEPTH SHALLOWER THAN 7 FEET, THE SIGN FOUNDATION MUST BE REDESIGNED BASED UPON THE ACTUAL FIELD CONDITIONS. THE FOUNDATION DESIGN DOES NOT APPLY TO VERY SOFT OR LOOSE SOIL, MUCK, WEATHERED ROCK, OR HARD ROCK.

GROUND MOUNTED SIGN SUPPORT

02-DEC-2008 07:39
 P:\P\03303A\Traffic\Signing\CADD\Signing\Layout Plans\Signing\Titlesheets.dgn
 s.johns

TIP NO. U-3303A/B	SHEET NO. SIGN-3A
APPROVED: _____	
DATE: _____	
SEAL	

501
506

JCT 1 - 21" X 15"

62 1 - 24" X 24"

ONE "U" POST PER SIGN

507
510

JCT 1 - 21" X 15"

54 1 - 24" X 24"

ONE "U" POST PER SIGN

502

NORTH SOUTH 2 - 24" X 12"

62 62 2 - 24" X 24"

← → 2 - 21" X 15"

TWO "U" POSTS PER SIGN

508

WEST EAST 2 - 24" X 12"

54 54 2 - 24" X 24"

← → 2 - 21" X 15"

503

SOUTH 1 - 24" X 12"

62 1 - 24" X 24"

ONE "U" POST PER SIGN

509

EAST 1 - 24" X 12"

54 1 - 24" X 24"

ONE "U" POST PER SIGN

504

NORTH 1 - 24" X 12"

62 1 - 24" X 24"

ONE "U" POST PER SIGN

511

WEST 1 - 24" X 12"

54 1 - 24" X 24"

ONE "U" POST PER SIGN

505

SOUTH NORTH 2 - 24" X 12"

62 62 2 - 24" X 24"

← → 2 - 21" X 15"

TWO "U" POSTS PER SIGN

512

EAST WEST 2 - 24" X 12"

54 54 2 - 24" X 24"

← → 2 - 21" X 15"

TWO "U" POSTS PER SIGN

SIGN NUMBER: 301	BACKG COLOR: Green	DESIGN BY: SWJ	CHECKED BY:	DATE: Nov 26, 2008																																																																																																																		
TYPE: B	COPY COLOR: White	PROJECT ID: U-3303A	DIV: 7																																																																																																																			
QUANTITY: 1		<table border="1"> <tr> <th>SYMBOL</th> <th>X</th> <th>Y</th> <th>WID</th> <th>HT</th> </tr> <tr> <td>ARUP</td> <td>78</td> <td>7</td> <td>8</td> <td>12</td> </tr> </table>			SYMBOL	X	Y	WID	HT	ARUP	78	7	8	12																																																																																																								
SYMBOL	X	Y	WID	HT																																																																																																																		
ARUP	78	7	8	12																																																																																																																		
SIGN WIDTH: 9'-6"																																																																																																																						
HEIGHT: 3'-0"																																																																																																																						
TOTAL AREA: 28.5 Sq.Ft.																																																																																																																						
BORDER TYPE: FLUSH																																																																																																																						
RECESS: 0"		<p>NO. Z BARS: 2</p> <p>LENGTH: 106.0</p> <p>MAT'L: 0.125" (3.2 mm) ALUMINUM</p>																																																																																																																				
WIDTH: 1"		<p>USE NOTES: 1,2</p> <p>1. Legend and border shall be direct applied Grade B sheeting.</p> <p>2. Background shall be Grade C reflective sheeting.</p>																																																																																																																				
RADII: 6"		<p>Spacing Factor is 1 unless specified otherwise</p>																																																																																																																				
<p>LETTER POSITIONS</p> <p>Letter spacings are to start of next letter</p> <table border="1"> <thead> <tr> <th></th> <th>N</th> <th>C</th> <th>L</th> <th>I</th> <th>C</th> <th>E</th> <th>N</th> <th>S</th> <th>E</th> <th>P</th> <th>L</th> <th>A</th> <th>T</th> <th>E</th> <th></th> <th>Series/Size</th> </tr> <tr> <th></th> <th colspan="15">Text Length</th> <th></th> </tr> </thead> <tbody> <tr> <td></td> <td>8.9</td> <td>6.7</td> <td>5.4</td> <td>8</td> <td>5.8</td> <td>2.5</td> <td>6.7</td> <td>5.9</td> <td>6.4</td> <td>6.4</td> <td>5</td> <td>8</td> <td>6.3</td> <td>5.3</td> <td>7.1</td> <td>5.8</td> <td>5</td> <td>8.9</td> <td>D 2000</td> </tr> <tr> <td></td> <td></td> <td></td> <td></td> <td></td> <td></td> <td></td> <td></td> <td></td> <td></td> <td></td> <td></td> <td></td> <td></td> <td></td> <td></td> <td></td> <td></td> <td></td> <td>96.2</td> </tr> <tr> <td></td> <td></td> <td></td> <td></td> <td></td> <td></td> <td></td> <td></td> <td></td> <td></td> <td></td> <td></td> <td></td> <td></td> <td></td> <td></td> <td></td> <td></td> <td></td> <td>D 2000</td> </tr> <tr> <td></td> <td>28.1</td> <td>7.8</td> <td>7.2</td> <td>6.3</td> <td>7.2</td> <td>6.5</td> <td>6.9</td> <td>44</td> <td></td> <td></td> <td></td> <td></td> <td></td> <td></td> <td></td> <td></td> <td></td> <td></td> <td>41.9</td> </tr> </tbody> </table>						N	C	L	I	C	E	N	S	E	P	L	A	T	E		Series/Size		Text Length																	8.9	6.7	5.4	8	5.8	2.5	6.7	5.9	6.4	6.4	5	8	6.3	5.3	7.1	5.8	5	8.9	D 2000																				96.2																				D 2000		28.1	7.8	7.2	6.3	7.2	6.5	6.9	44											41.9
	N	C	L	I	C	E	N	S	E	P	L	A	T	E		Series/Size																																																																																																						
	Text Length																																																																																																																					
	8.9	6.7	5.4	8	5.8	2.5	6.7	5.9	6.4	6.4	5	8	6.3	5.3	7.1	5.8	5	8.9	D 2000																																																																																																			
																			96.2																																																																																																			
																			D 2000																																																																																																			
	28.1	7.8	7.2	6.3	7.2	6.5	6.9	44											41.9																																																																																																			

FILENAME: Titlesheets

NORTH CAROLINA D.O.T. SIGN DETAIL

TYPE "B" & "F" SIGNS

P:\P\2008_07_07\U3303A\Traffic\Signing\CADD\Signing Layout Plans\Signing\Titlesheets.dgn
 s.johns - AT - 12/1/08

APPROVED: _____

DATE: _____

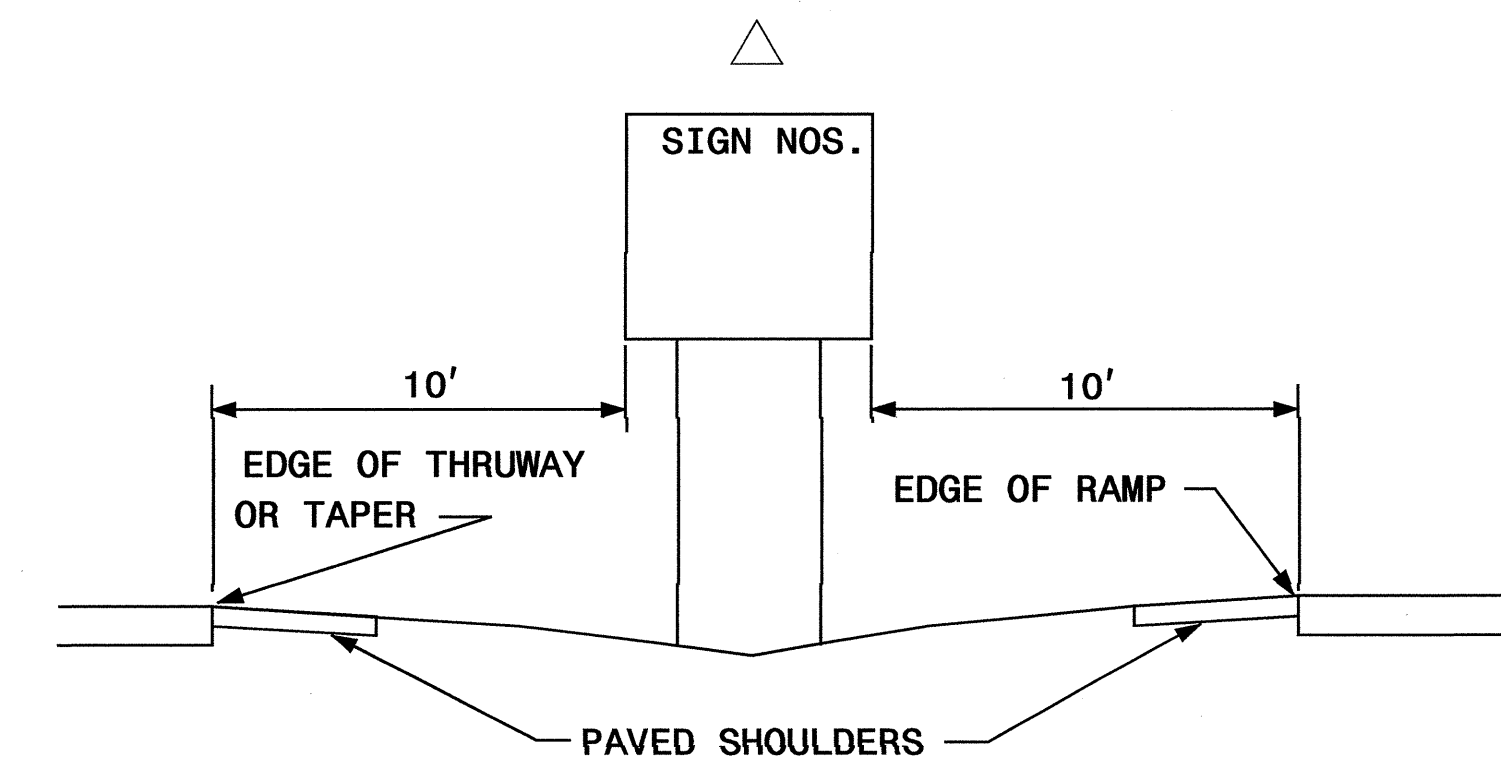
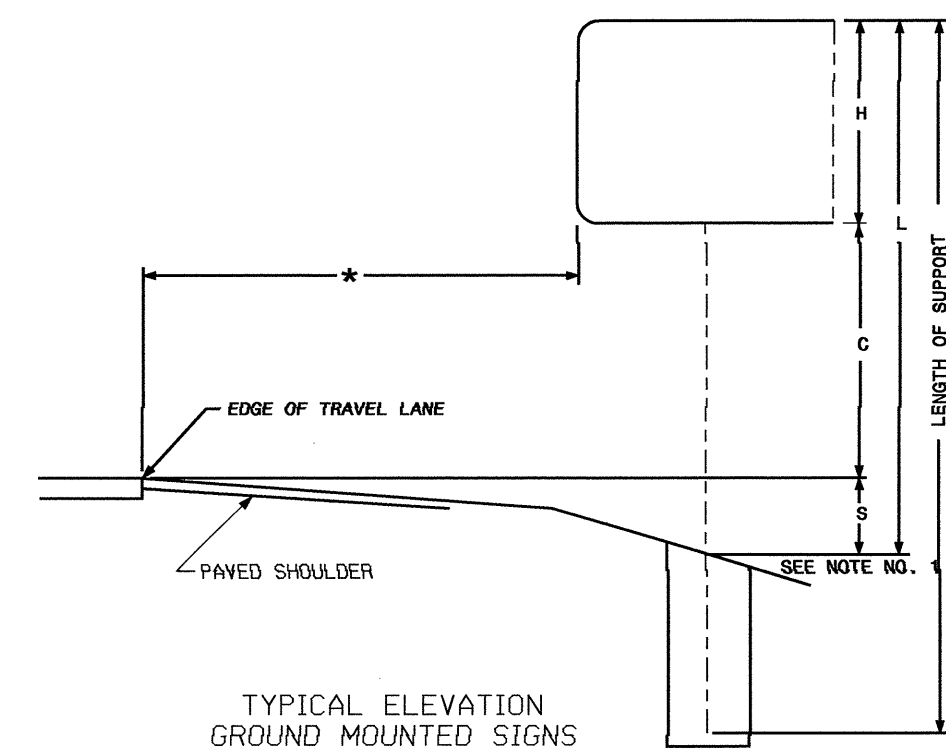
SEAL



SIGN NO.	SIGN TYPE	SIGN SIZE (in.)			ROADWAY STATION	NO. OF SUP.	BEAM SECTION	SUPPORT TYPE BA or S	ATTACH METHOD	MOUNTING METHOD	HORIZ. CLR.* (ft.)	LENGTH (ft)				LEFT SUPPORT (ft)			CENTER SUPPORT (ft)			RIGHT SUPPORT (ft)			FOOTING DIAMETER (ft.)	FOOTING DEPTH (ft.)	B/A SUPPORT WEIGHTS (lbs.)	SIMPLE SUPPORT WEIGHTS (lbs.)	REINF. FTGS. (c.y.)	FIELD VERIFIED SEE NOTE 2 (mm/dd/yy)																					
		w	x	h								SNS H	HT C	MTG HT	EMBED-MENT	S	L	TOTAL LENGTH	S	L	TOTAL LENGTH	S	L	TOTAL LENGTH																											
101	B	114	X	36	73+50	2	S3x5.7	BA	N/A	N/A	10.50	3.00	7.03	3.5	-0.03	10.00	13.50	0.00	0.00	0.00	1.37	11.40	14.90	1	4.0	197.39	0.00	0.23																							
																							TOTAL	197.39	TOTAL	0.00	TOTAL	0.23																							
USE:																							198	0	1																										

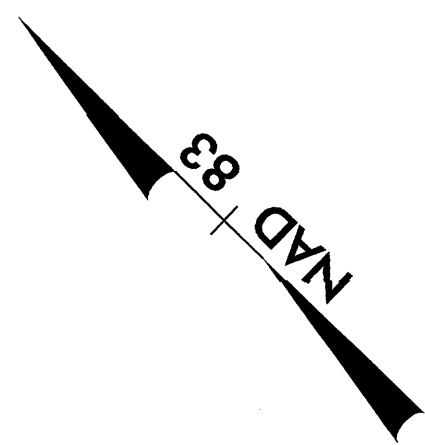
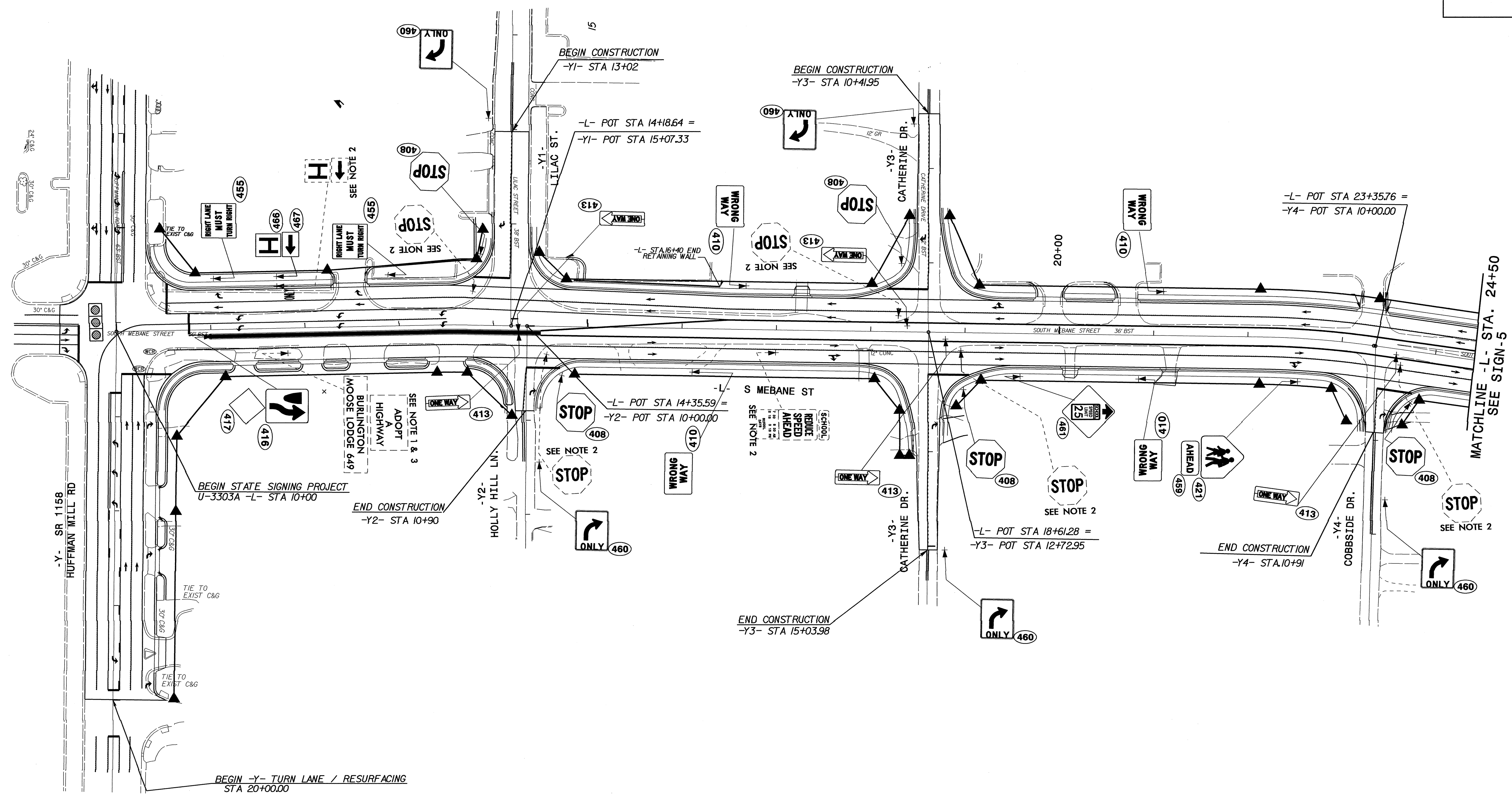
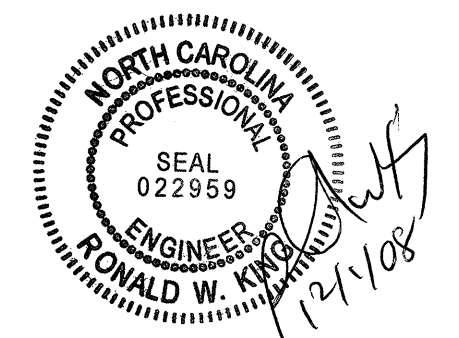
NOTES

- DIMENSION "S" REPRESENTS AN INCREASE (+), OR A DECREASE (-) IN POLE LENGTH, RELATIVE TO THE ELEVATION OF THE EDGE OF PAVEMENT.
- FIELD VERIFICATIONS SHALL BE REQUIRED FOR ALL SUPPORTS, SEE (*) ARTICLE 903-3. FABRICATORS SHALL BE AISC CERTIFIED IN CATEGORY 1. SEE (*) ARTICLE 1072-1. (*) = N.C.D.O.T. STANDARD SPECIFICATIONS FOR ROADS AND STRUCTURES
- PLAN LOCATIONS FOR EXISTING UTILITIES ARE BASED ON THE BEST AVAILABLE INFORMATION AND, THEREFORE MAY NOT BE PRECISELY ACCURATE. THEREFORE, IT IS INCUMBENT UPON THE CONTRACTOR TO DETERMINE THE EXACT LOCATION OF UTILITIES BEFORE BEGINNING WORK IN A LOCATION.



**TYPE "A" AND TYPE "B"
GROUND MOUNTED SIGNS**

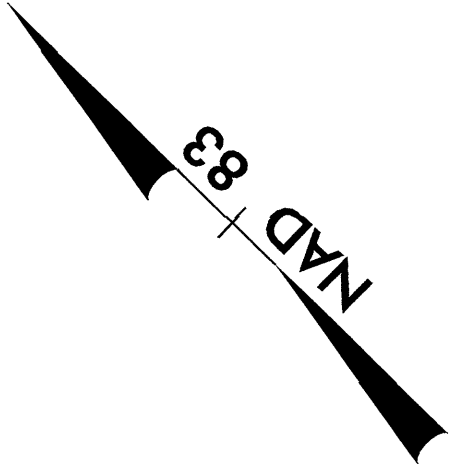
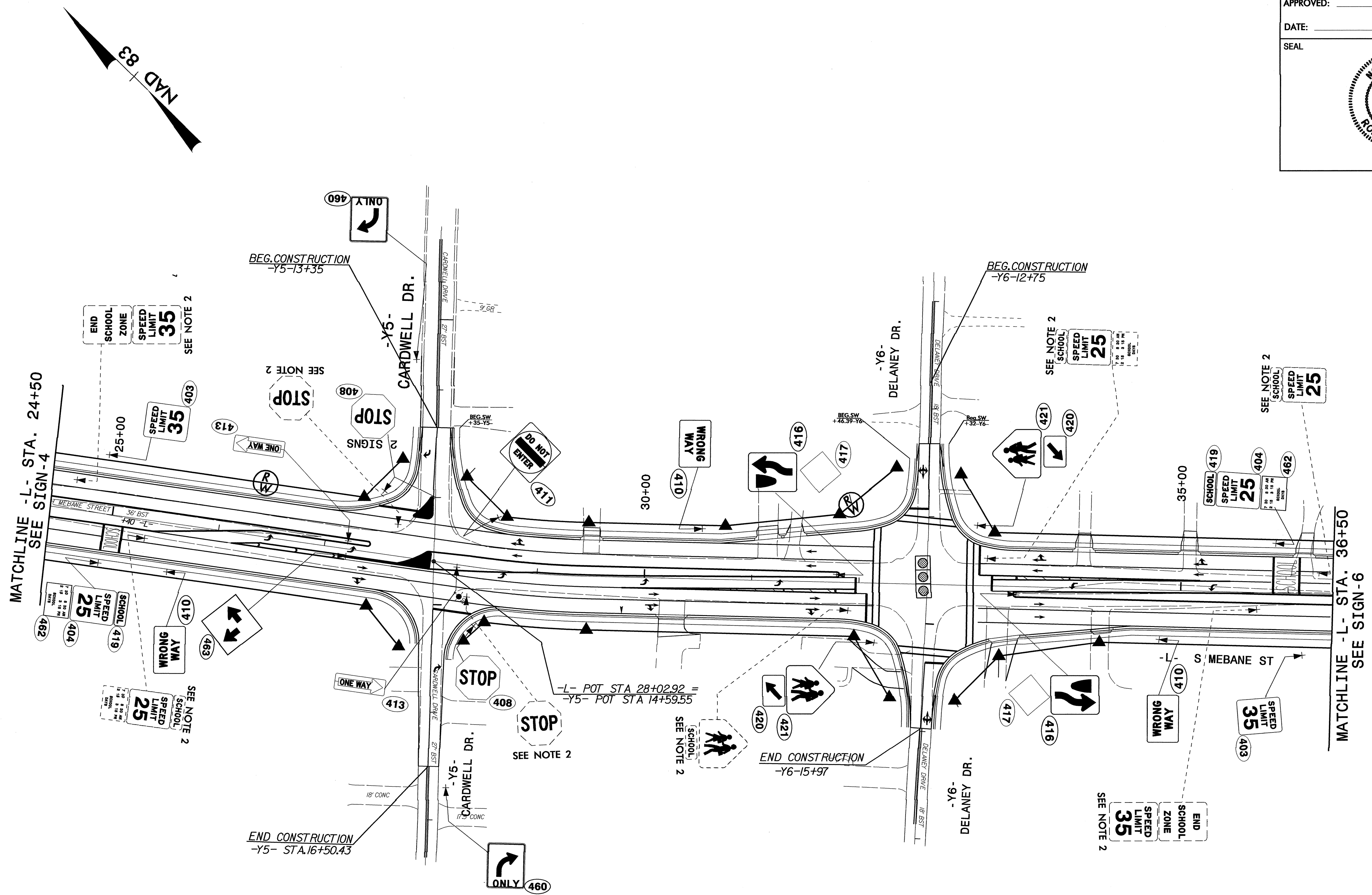
TIP NO. U-3303A	SHEET NO. SIGN-4
APPROVED: _____	
DATE: _____	
SEAL	



PROPOSED SIGNS
STA. 10+00 -L- TO STA. 24+50 -L-
SR 1306 (SOUTH MEBANE STREET)

02_PFC-2008_0850_U3303A\Traffic\Signing\CADD\Signing_Layout_Plans\Signing_U3303a_psh4.dgn
 02_PFC-2008_0850_U3303A\Traffic\Signing\CADD\Signing_Layout_Plans\Signing_U3303a_psh4.dgn
 02_PFC-2008_0850_U3303A\Traffic\Signing\CADD\Signing_Layout_Plans\Signing_U3303a_psh4.dgn

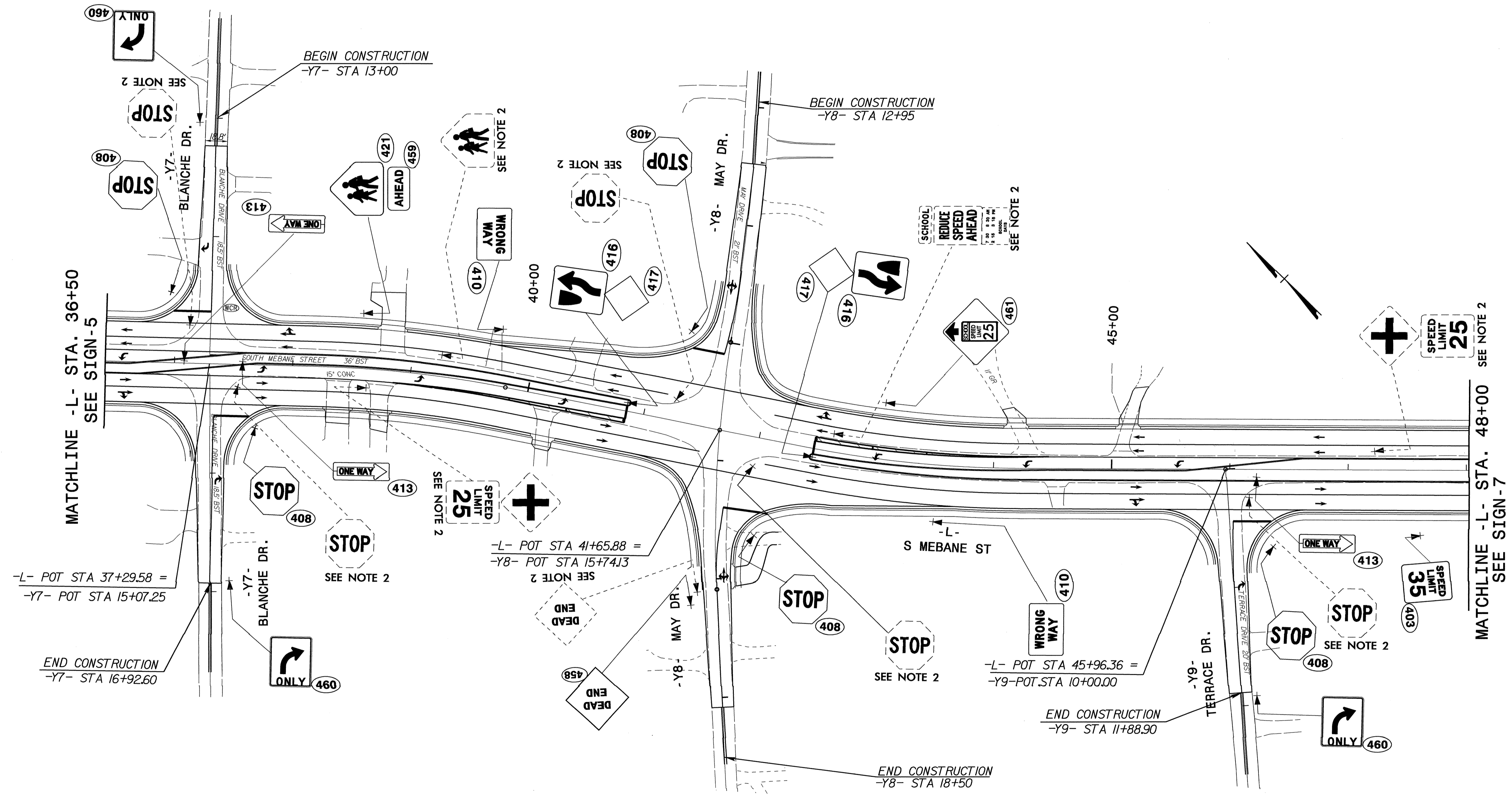
TIP NO. U-3303A	SHEET NO. SIGN-5
APPROVED: _____	
DATE: _____	
SEAL	



PROPOSED SIGNS
STA. 24+50 -L- TO STA. 36+50 -L-
SR 1306 (SOUTH MEBANE STREET)

02-DEC-2008 07:44
 C:\p\p\02-DEC-2008 07:44\13303A\Traffic\Signing\CADD\Signing Layout Plans\Signing\U3303a_psh5.dgn
 s.johns
 12/1/08

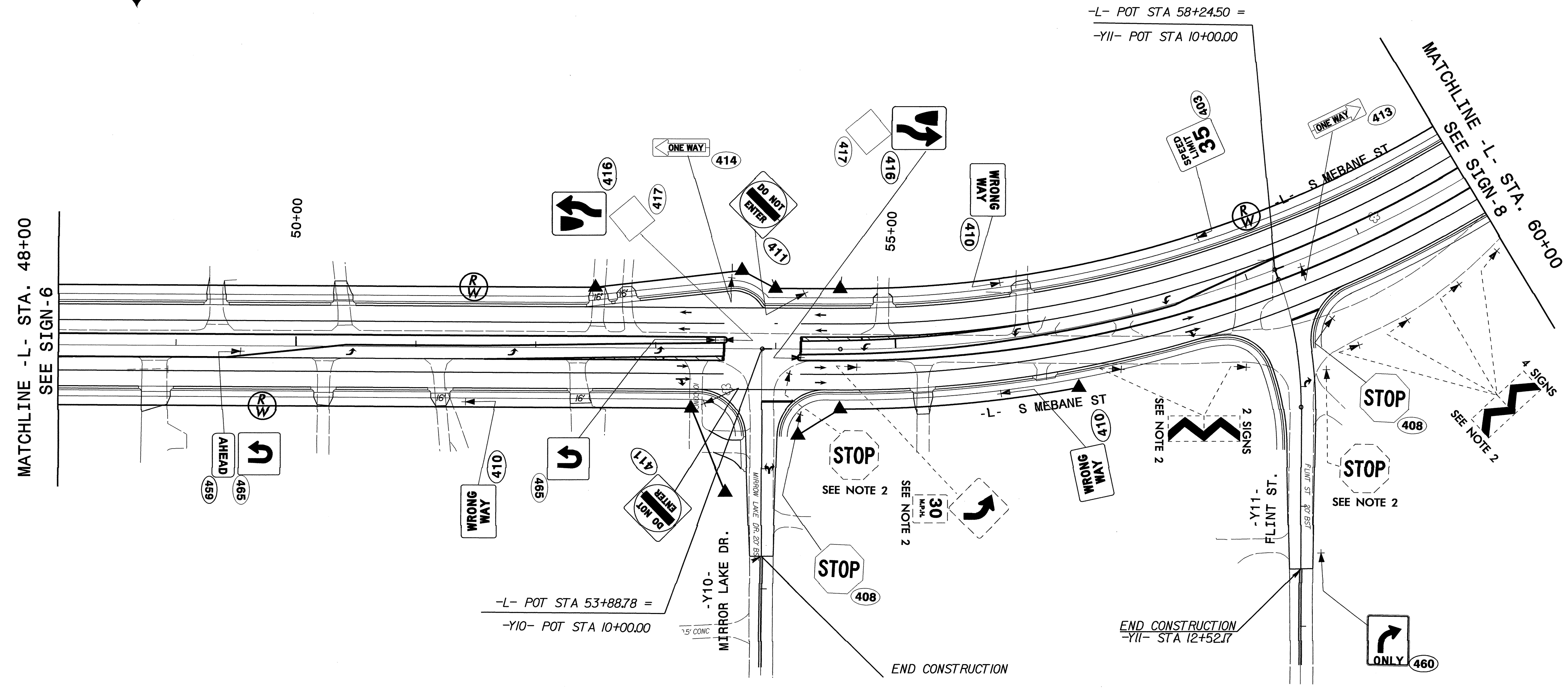
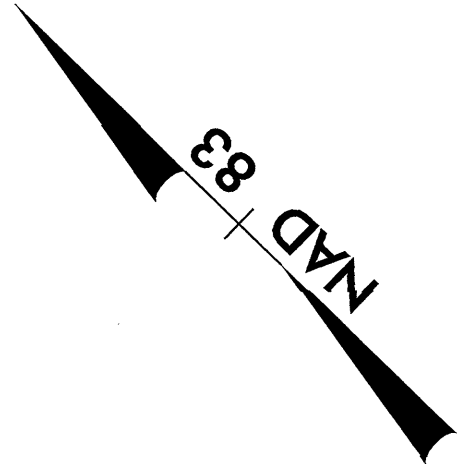
TIP NO. U-3303A	SHEET NO. SIGN-6
APPROVED: _____	
DATE: _____	
SEAL	



PROPOSED SIGNS
 STA. 36+50 -L- TO STA. 48+00 -L-
 SR 1306 (SOUTH MEBANE STREET)

02-DEC-2008 08:43
 P:\1153303A\Traffic\Signing\CADD\Signing Layout Plans\Signing\U3303a_psh9.dgn
 s.johns - AT - TEC221642

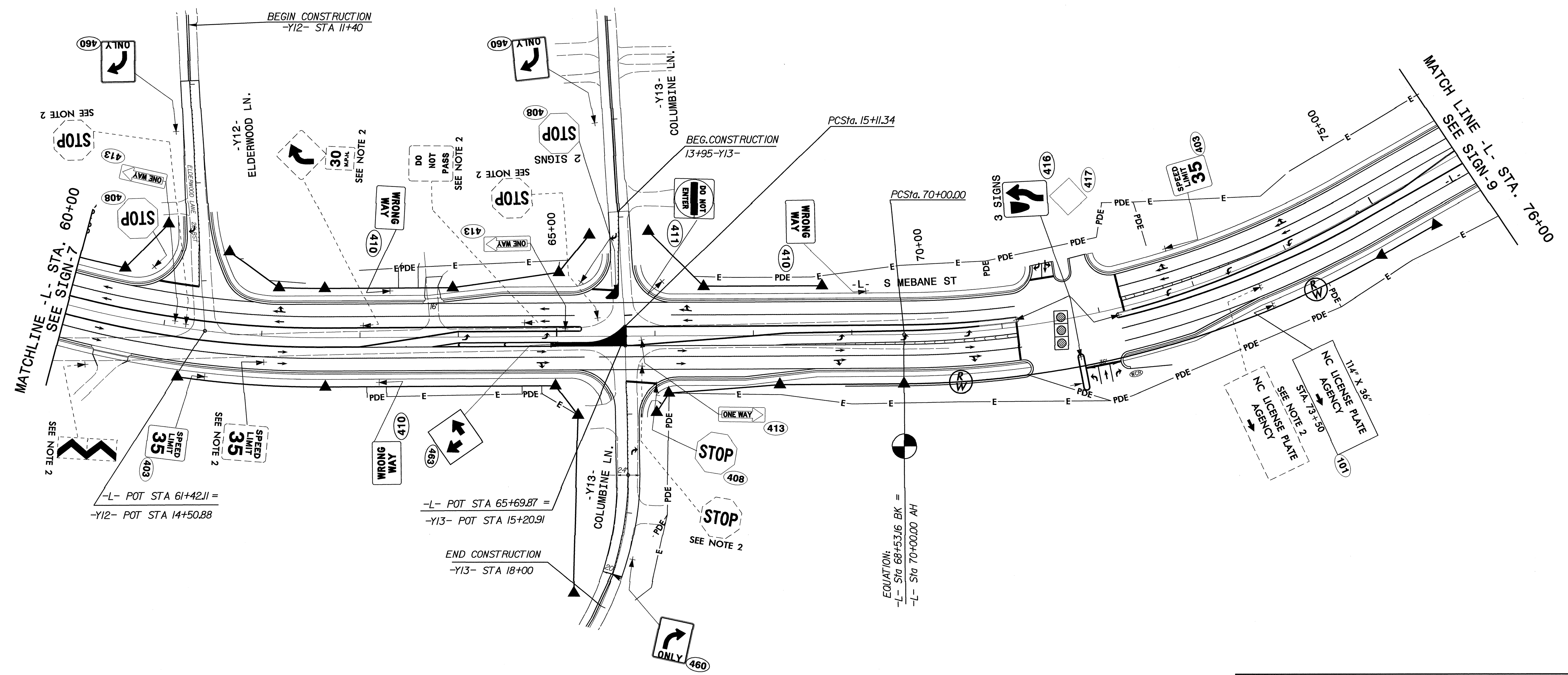
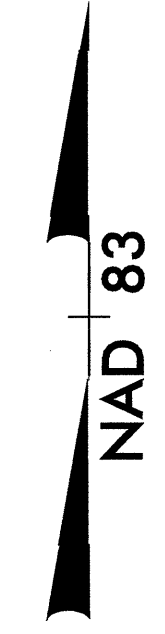
TIP NO. U-3303A	SHEET NO. SIGN-7
APPROVED: _____	
DATE: _____	
SEAL	



PROPOSED SIGNS
 STA. 48+00 -L- TO STA. 60+00 -L-
 SR 1306 (SOUTH MEBANE STREET)

P:\PFC-2008_07\45...U3303A\Traffic\Signing\CADD\Signing Layout Plans\Signing\U3303a_psh7.dgn
 P:\PFC-2008_07\45...U3303A\Traffic\Signing\CADD\Signing Layout Plans\Signing\U3303a_psh7.dgn
 s.johns

TIP NO. U-3303A	SHEET NO. SIGN-8
APPROVED: _____	
DATE: _____	
SEAL	

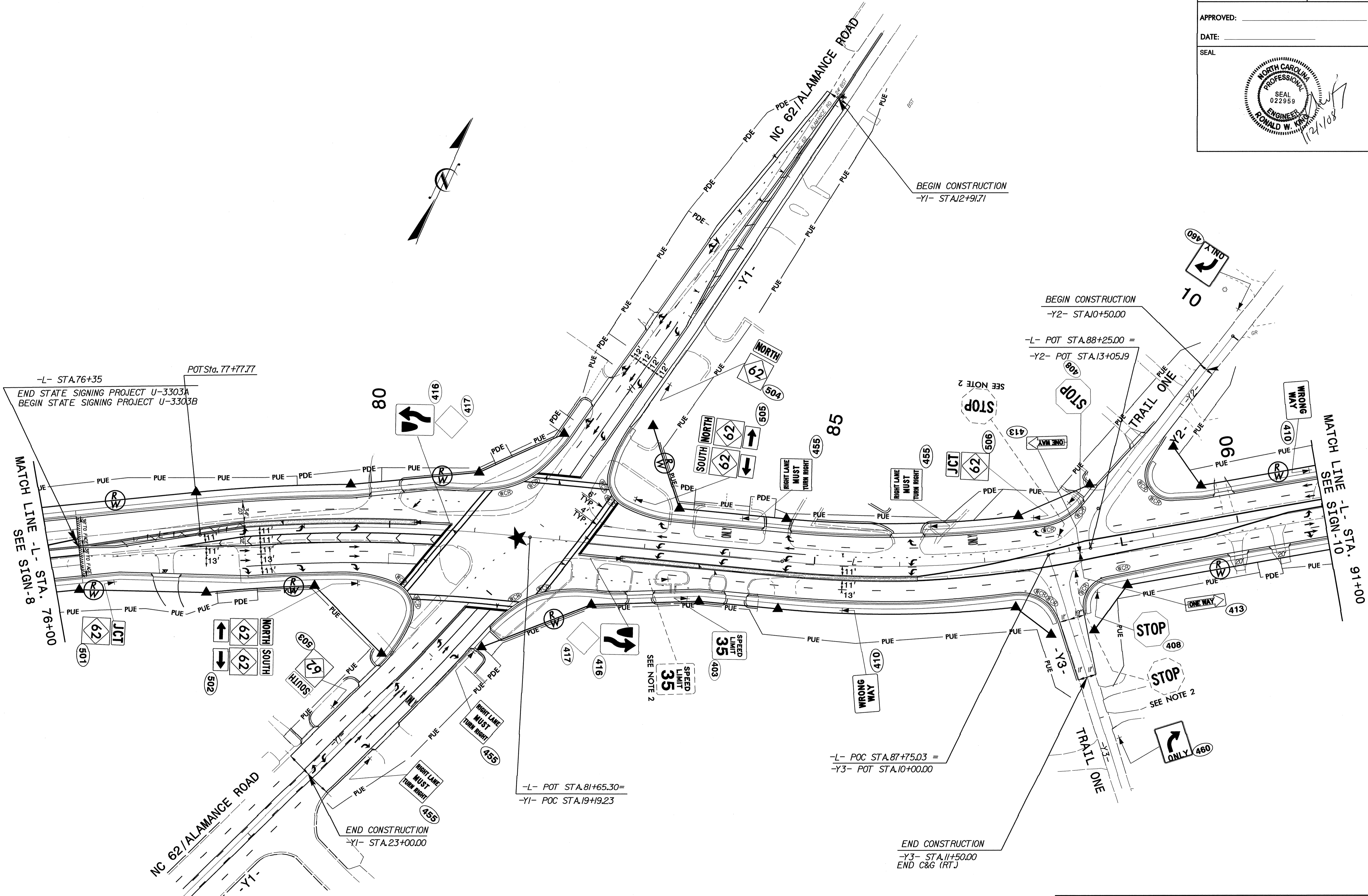


PROPOSED SIGNS
STA. 60+00 -L- TO STA. 76+00 -L-
SR 1306 (SOUTH MEBANE STREET)

03-DEC-2008 07:46
 C:\p\p\p\03303A\Tr-offr.c\Signing\CADD\Signing Layout Plans\Signing\U3303a_psh8.dgn
 s.johns
 AT
 REC221642

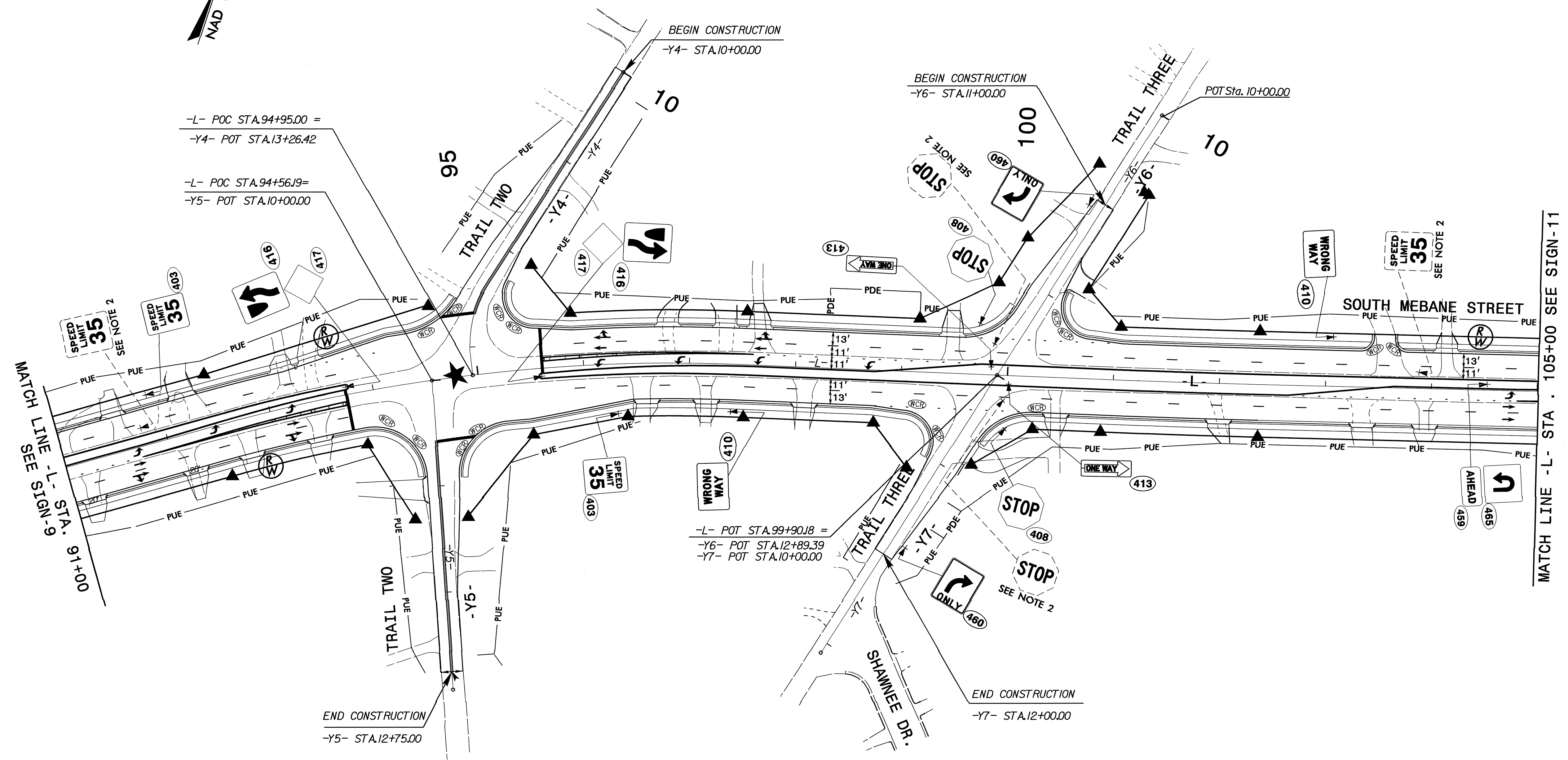
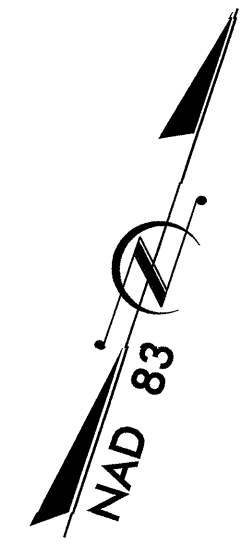
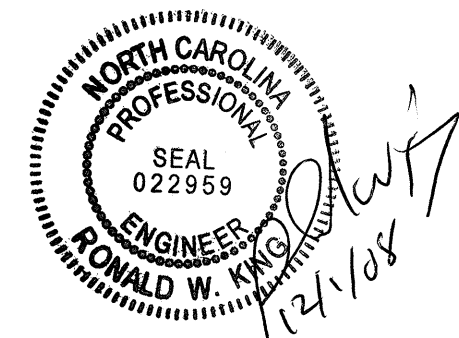
8/17/08

TIP NO. U-3303B	SHEET NO. SIGN-9
APPROVED: _____	
DATE: _____	
SEAL	



PROPOSED SIGNS
 STA. 76+00 -L- TO STA. 91+00 -L-
 SR 1306 (SOUTH MEBANE STREET)

02-DEC-2008 07:52
 C:\Users\johns\Documents\Projects\3303B\Traffic\Signing\CADD\Signing Layout Plans\Signing\U3303B_9.dgn
 s.johns
 12/10/08



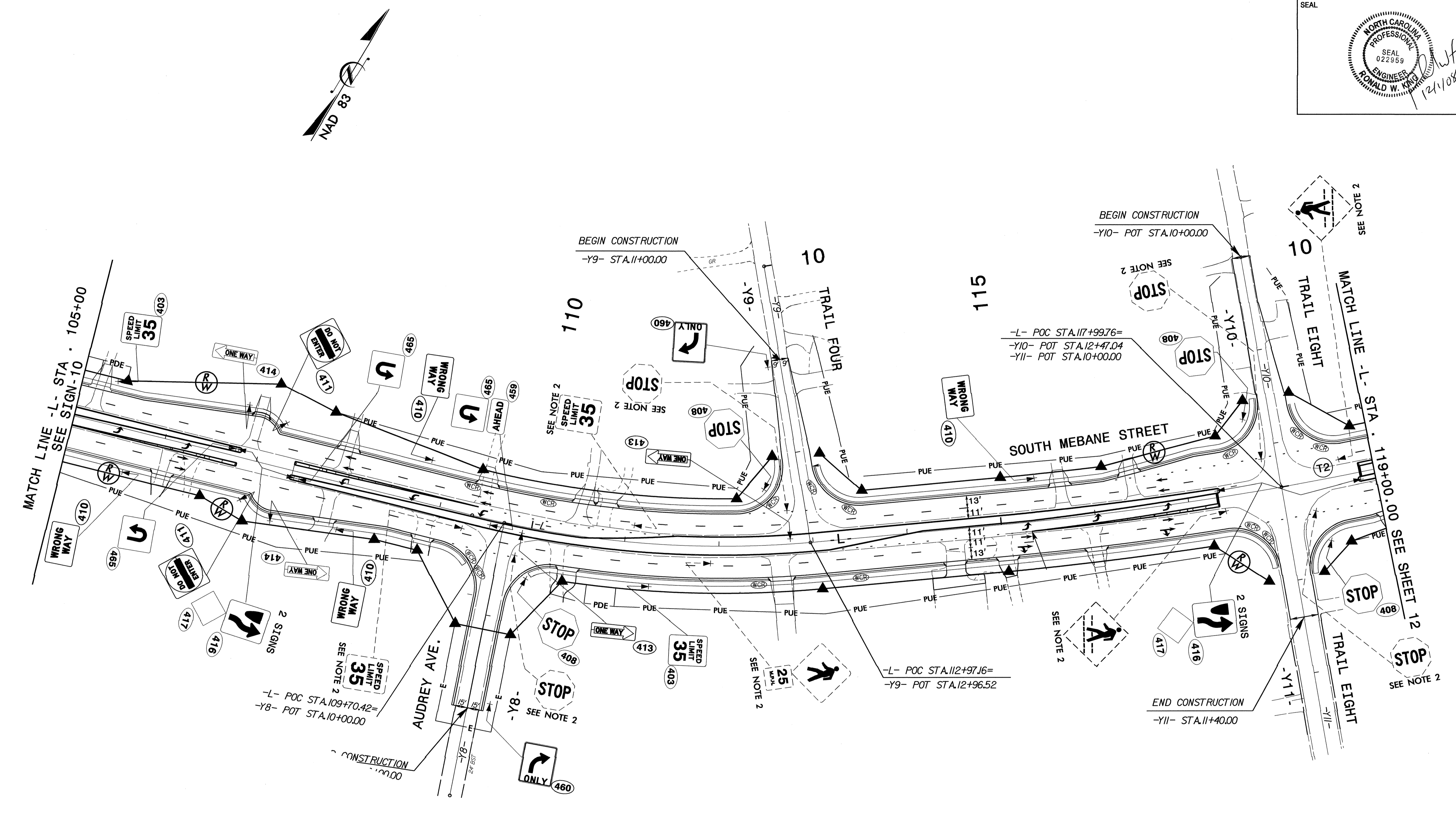
-L- POC STA.94+95.00 =
-Y4- POT STA.13+26.42

-L- POC STA.94+56.19 =
-Y5- POT STA.10+00.00

-L- POT STA.99+90.18 =
-Y6- POT STA.12+89.39
-Y7- POT STA.10+00.00

PROPOSED SIGNS
STA. 91+00 -L- TO STA. 105+00 -L-
SR 1306 (SOUTH MEBANE STREET)

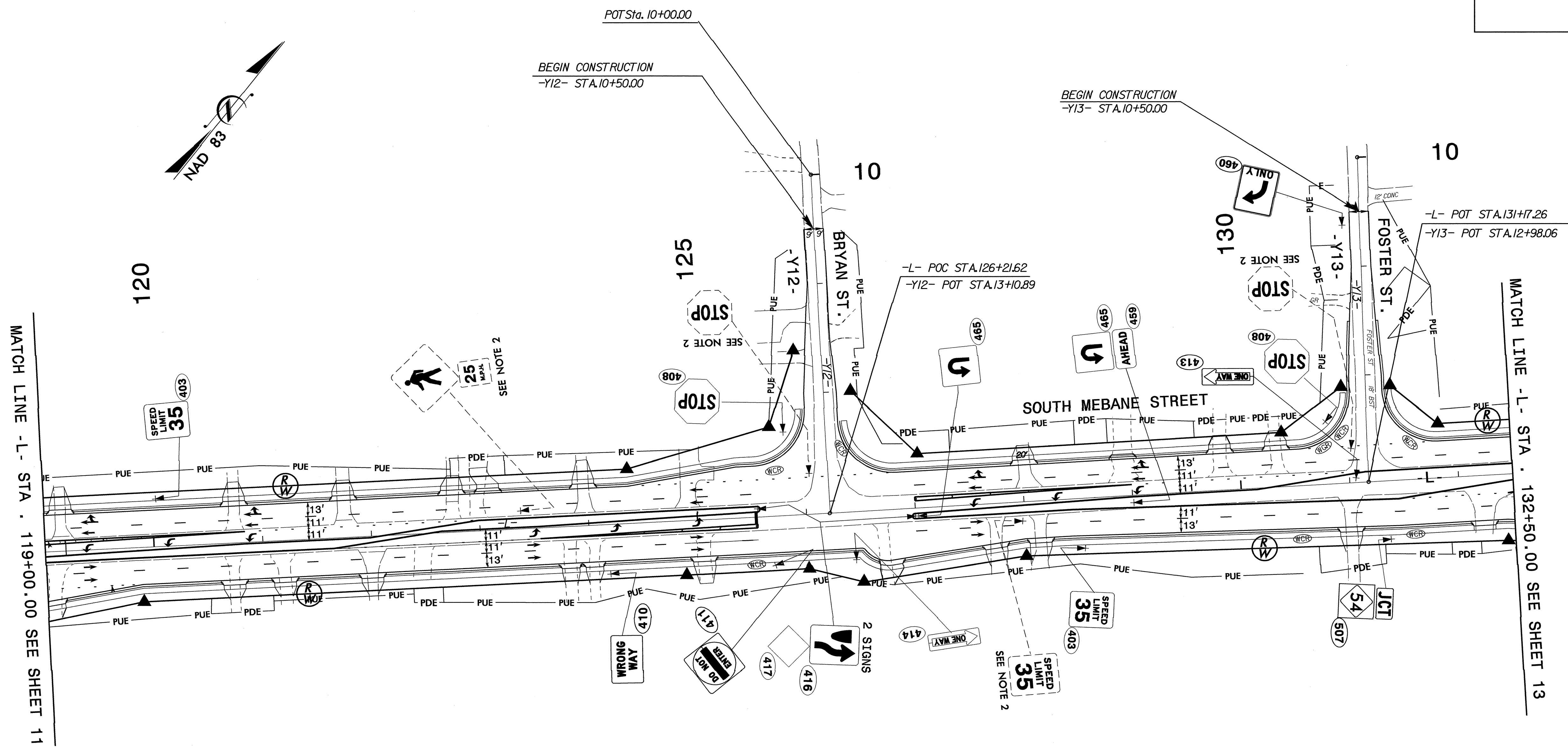
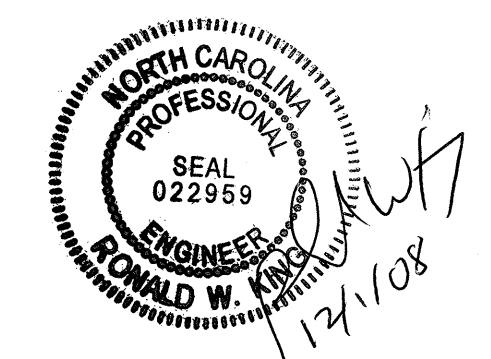
TIP NO. U-3303B	SHEET NO. SIGN-11
APPROVED: _____	
DATE: _____	
SEAL	



PROPOSED SIGNS
 STA. 105+00 -L- TO STA. 119+00 -L-
 SR 1306 (SOUTH MEBANE STREET)

02_PFC-2008_07153
 NA_PFC-2008_07153
 s.johns

TIP NO. U-3303B	SHEET NO. SIGN-12
APPROVED: _____	
DATE: _____	
SEAL	

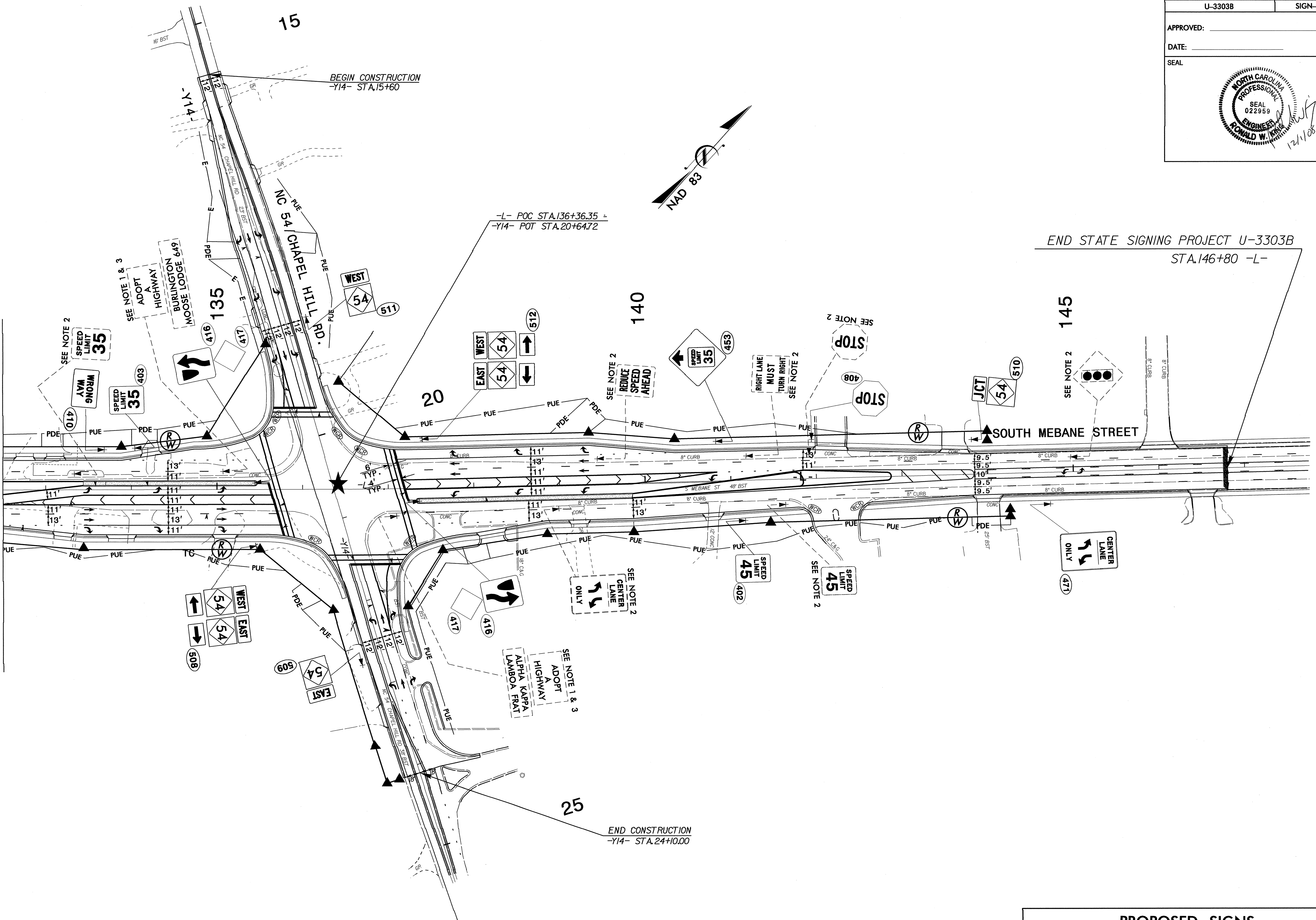


PROPOSED SIGNS
 STA. 119+00 -L- TO STA. 132+50 -L-
 SR 1306 (SOUTH MEBANE STREET)

02-DEC-2008 07:53
 N:\P\3303B\Tr-aff\c\Signing\CADD\Signing Layout Plans\Signing\U3303b.12.dgn
 s.johns

TIP NO. U-3303B	SHEET NO. SIGN-13
APPROVED: _____	
DATE: _____	
SEAL	

MATCH LINE -L- STA. 132+50.00 SEE SHEET 12



END STATE SIGNING PROJECT U-3303B
STA.146+80 -L-

PROPOSED SIGNS
STA. 132 + 50 -L- TO STA. 146 + 80 -L-
SR 1306 (SOUTH MEBANE STREET)

02-DEC-2008 07:54
 N:\TIP\p\o\lcs\13-U-3303B-Traffic\Signing\CADD\Signing Layout Plans\Signing\U3303b-13.dgn
 sjohns - AT - EC22164Z