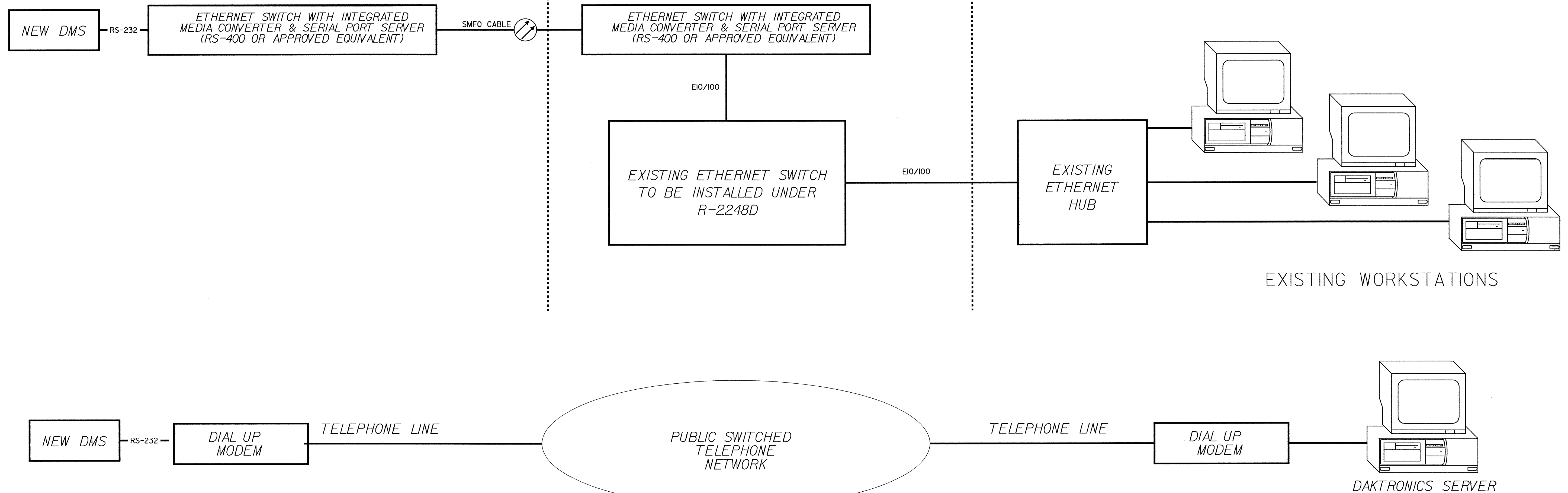


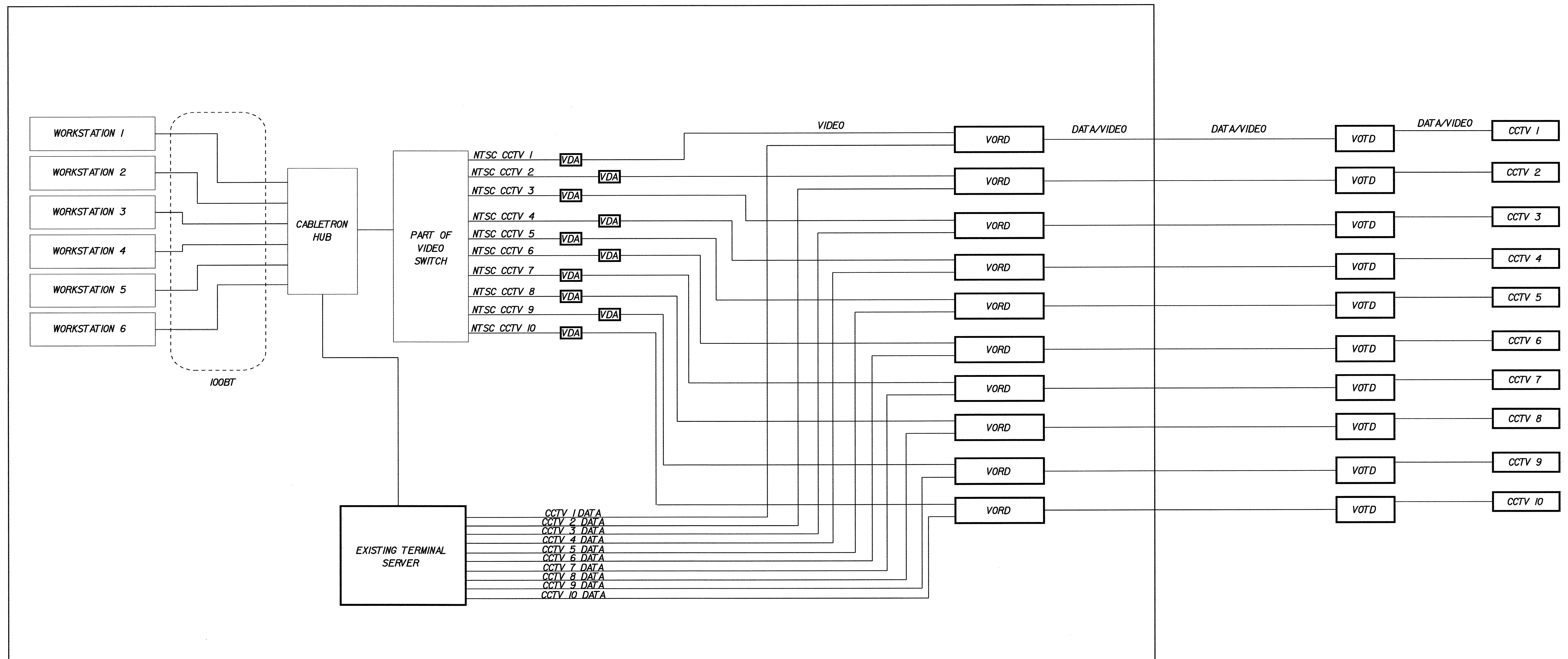
DMS ON I-485 NORTH  
OF  
SOUTH BOULEVARD

NODE 21  
IN HUB 6  
ON I-85 /485

CENTRAL EQUIPMENT  
IN  
MRTMC



<p>Prepared in the Offices of: Traffic Engineering and Safety Systems DIVISION OF TRANSPORTATION 750 N. Greenfield Place, Cary, NC 27529</p>	<b>DYNAMIC MESSAGE SIGN SYSTEM BLOCK DIAGRAM</b>		<p>SEAL NORTH CAROLINA PROFESSIONAL ENGINEER SEAL 14543 G. G. MURR, JR. 2007/12-5-07 SIGNATURE DATE</p>
	DIVISION 10 WECKLENBURG CO. CHARLOTTE		
	PLAN DATE: DECEMBER 2007	REVIEWED BY: M. A. ASLAMI	
	PREPARED BY: S. C. WARDLE	REVIEWED BY: T. G. PARKER	
SCALE	REVISIONS	INIT.	DATE
CADD File name:			

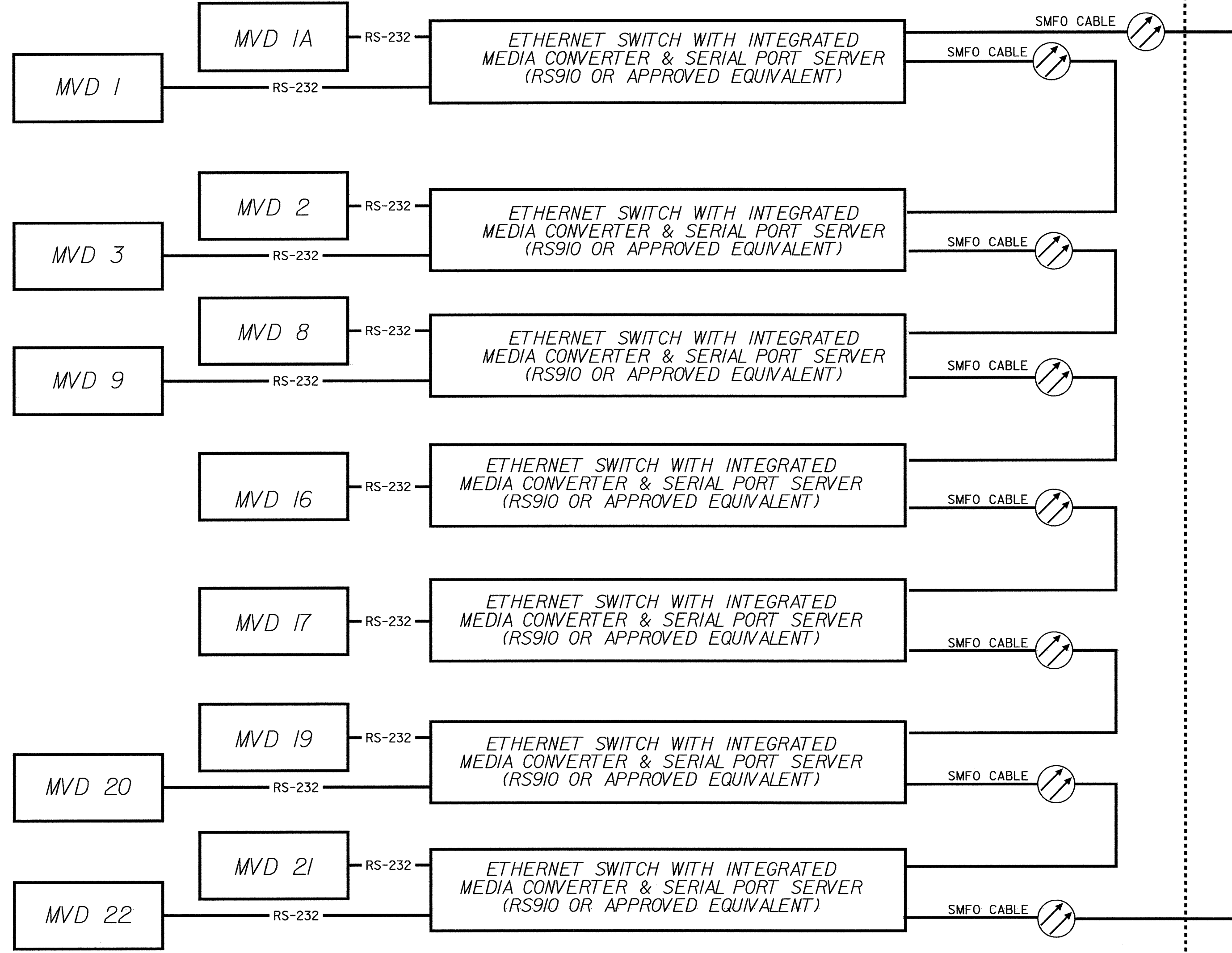


ALL EQUIPMENT LOCATED IN MRTMC

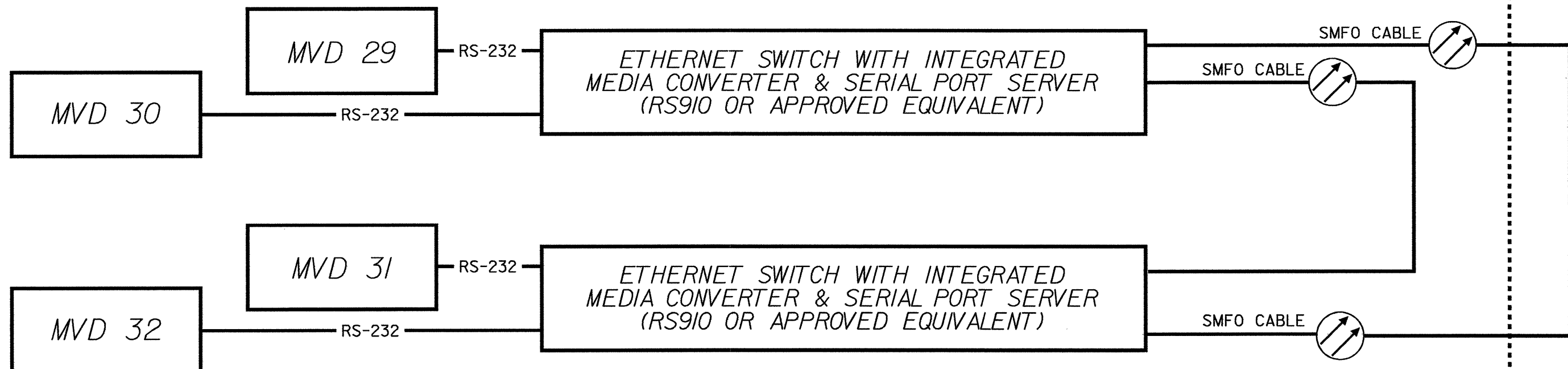
PROPOSED COMMUNICATION SCHEMATIC FOR CCTVS 1-10

	<b>CCTV CAMERA SYSTEM</b>		
	<b>BLOCK DIAGRAM</b>		
DIVISION 10 WECKLENBURG CO. CHARLOTTE		REVIEWED BY: M.A. ASLAMI	
PLAN DATE: DECEMBER 2007		REVIEWED BY: T.G. PARKER	
PREPARED BY: S.C. WARDLE		REVIEWED BY: T.G. PARKER	
SCALE	REVISIONS	INIT.	DATE
		12-5-07 SIGNATURE DATE	

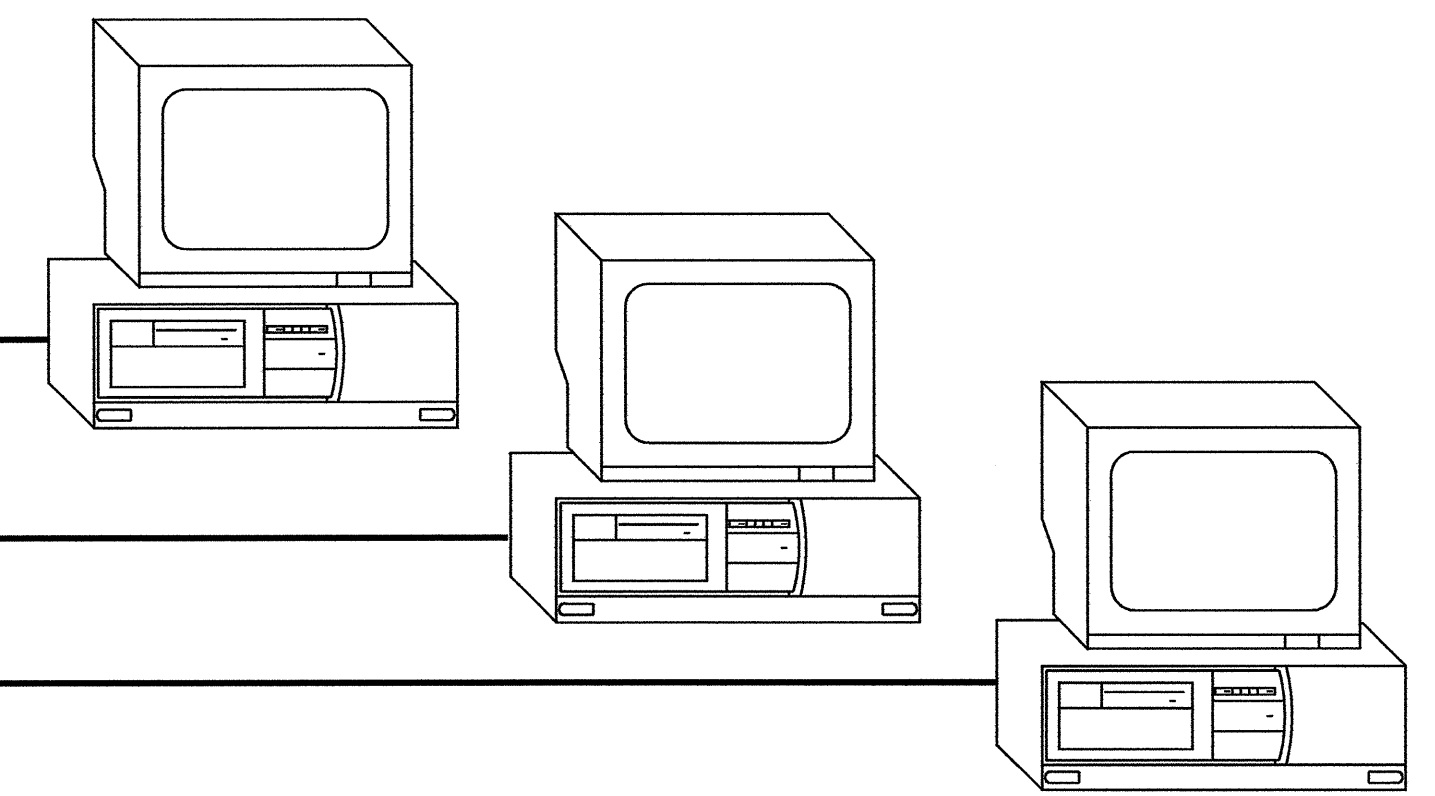
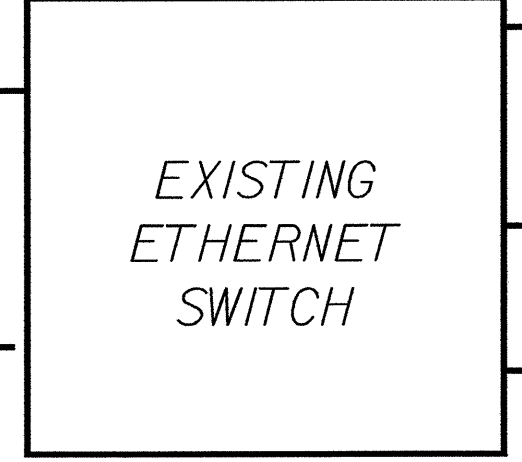
MVDs SOUTH  
OF  
MRTMC ON I-85



MVDs NORTH  
OF  
MRTMC ON I-85



# CENTRAL EQUIPMENT MRTMC



EXISTING WORKSTATIONS



	<b>SYSTEM BLOCK DIAGRAM</b>		
	DIVISION 10 MECKLENBURG CO. CHARLOTTE		
PLAN DATE: DECEMBER 2007	REVIEWED BY: M.A. ASLAMI	SCALE	
PREPARED BY: S.C. WARDLE	REVIEWED BY: T.G. PARKER	REVISIONS	INIT. DATE
SIGNATURE: <i>[Signature]</i>		DATE: 12-5-07	