

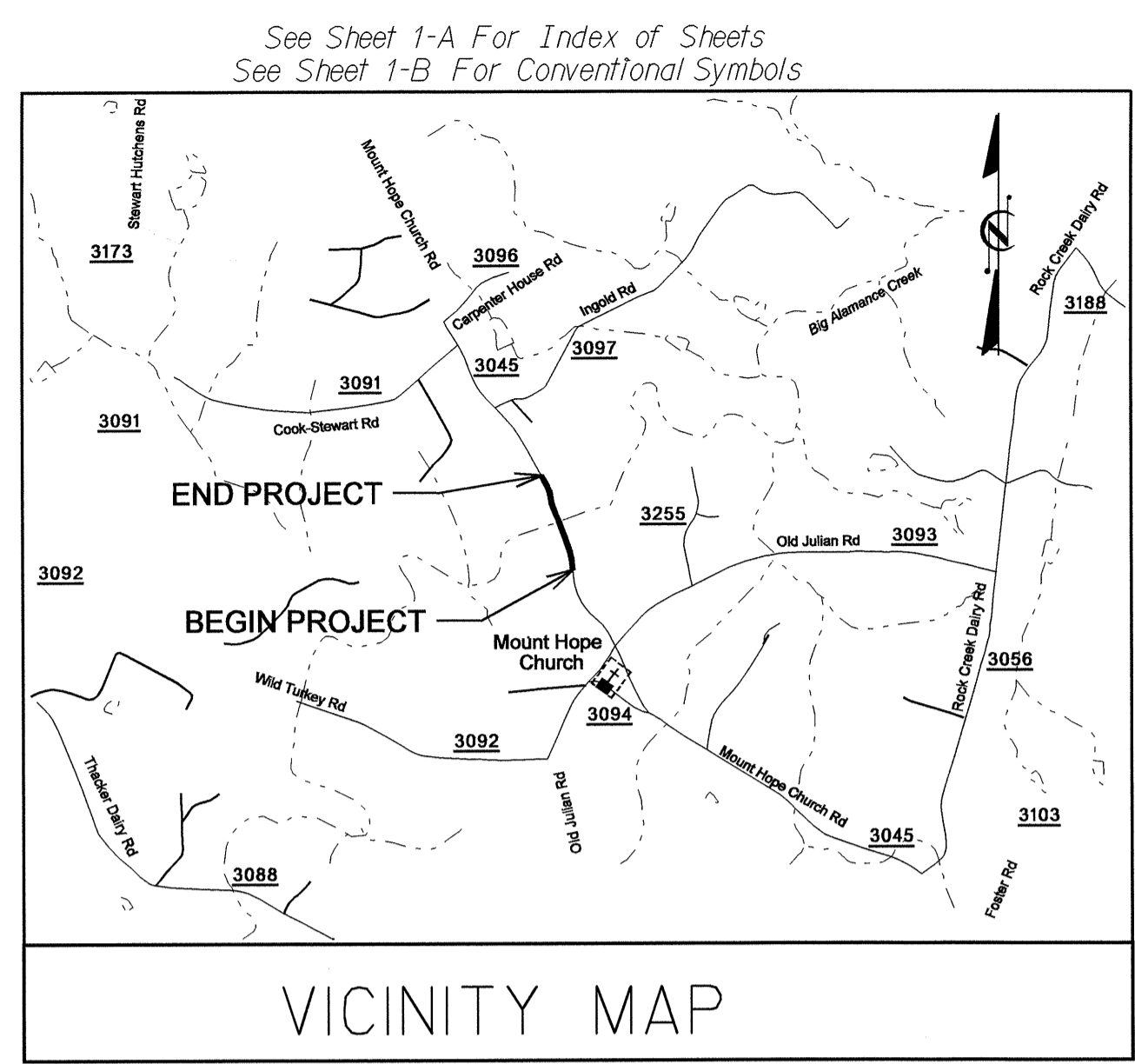
T.I.P. NO.	SHEET NO.
B-4130	UO-1

STATE OF NORTH CAROLINA
DIVISION OF HIGHWAYS

**UTILITIES BY OTHERS PLANS
GUILFORD COUNTY**

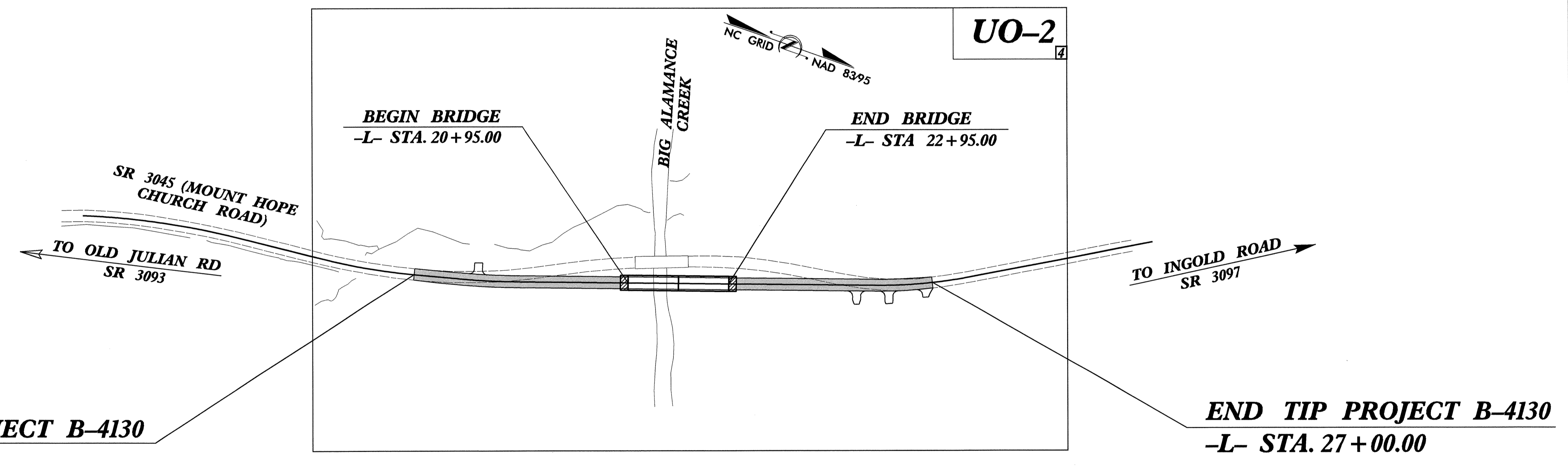
**LOCATION: BRIDGE NO.228 OVER BIG ALAMANCE CREEK ON
SR 3405 (MOUNT HOPE CHURCH ROAD)**

TYPE OF WORK: GRADING, DRAINAGE, PAVING & STRUCTURE

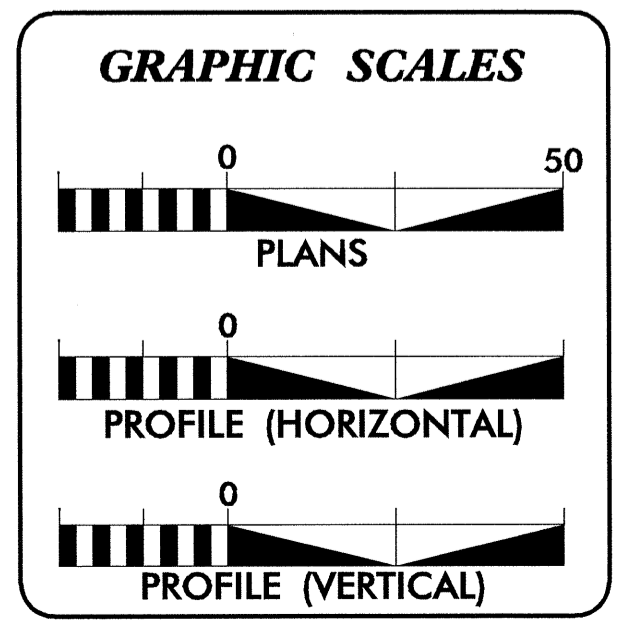


VICINITY MAP

THIS PROJECT IS NOT WITHIN ANY MUNICIPAL BOUNDARY



CLEARING ON THIS PROJECT SHALL BE PERFORMED TO THE LIMITS ESTABLISHED BY METHOD III.



INDEX OF SHEETS

SHEET NO.	DESCRIPTION
UO-1	TITLE SHEET
UO-2	UTILITES BY OTHERS PLAN SHEETS

UTILITY OWNERS ON PROJECT

- DUKE POWER
- AT&T NC TELEPHONE
- TIME WARNER

PREPARED IN THE OFFICE OF:
**DIVISION OF HIGHWAYS
DESIGN SERVICES
UTILITY SECTION**

1591 MAIL SERVICES CENTER
RALEIGH NC 27699-1591
PHONE (919) 250-4128
FAX (919) 250-4119

Roger Worthington, P.E. UTILITIES SECTION ENGINEER
Steve McKee, P.E. UTILITIES SQUAD LEADER PROJECT ENGINEER
Jamshid Hafshejani UTILITIES PROJECT DESIGNER

TIP PROJECT: B-4130

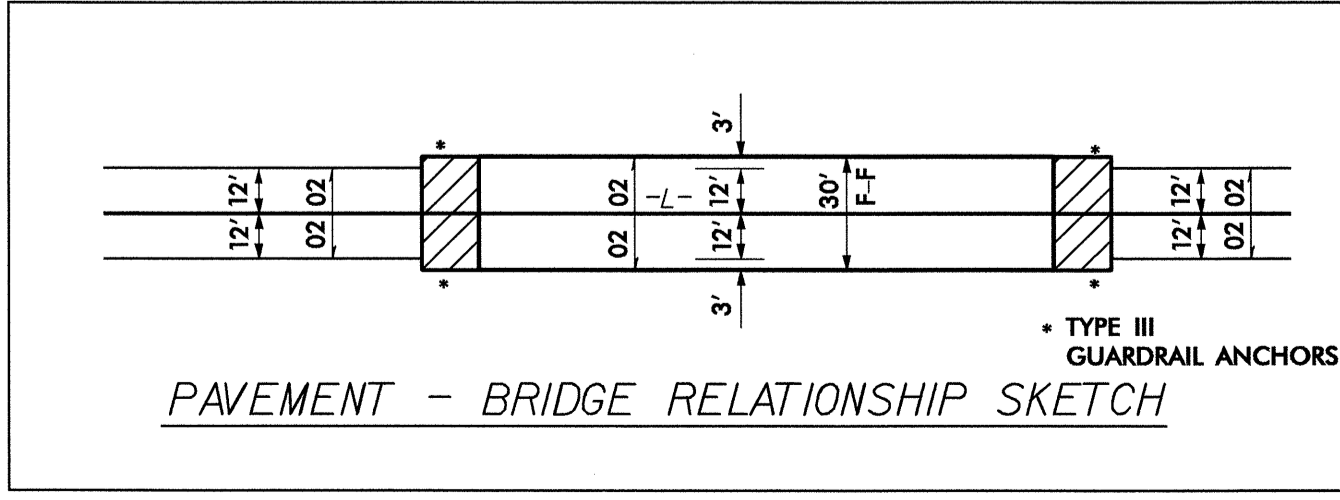
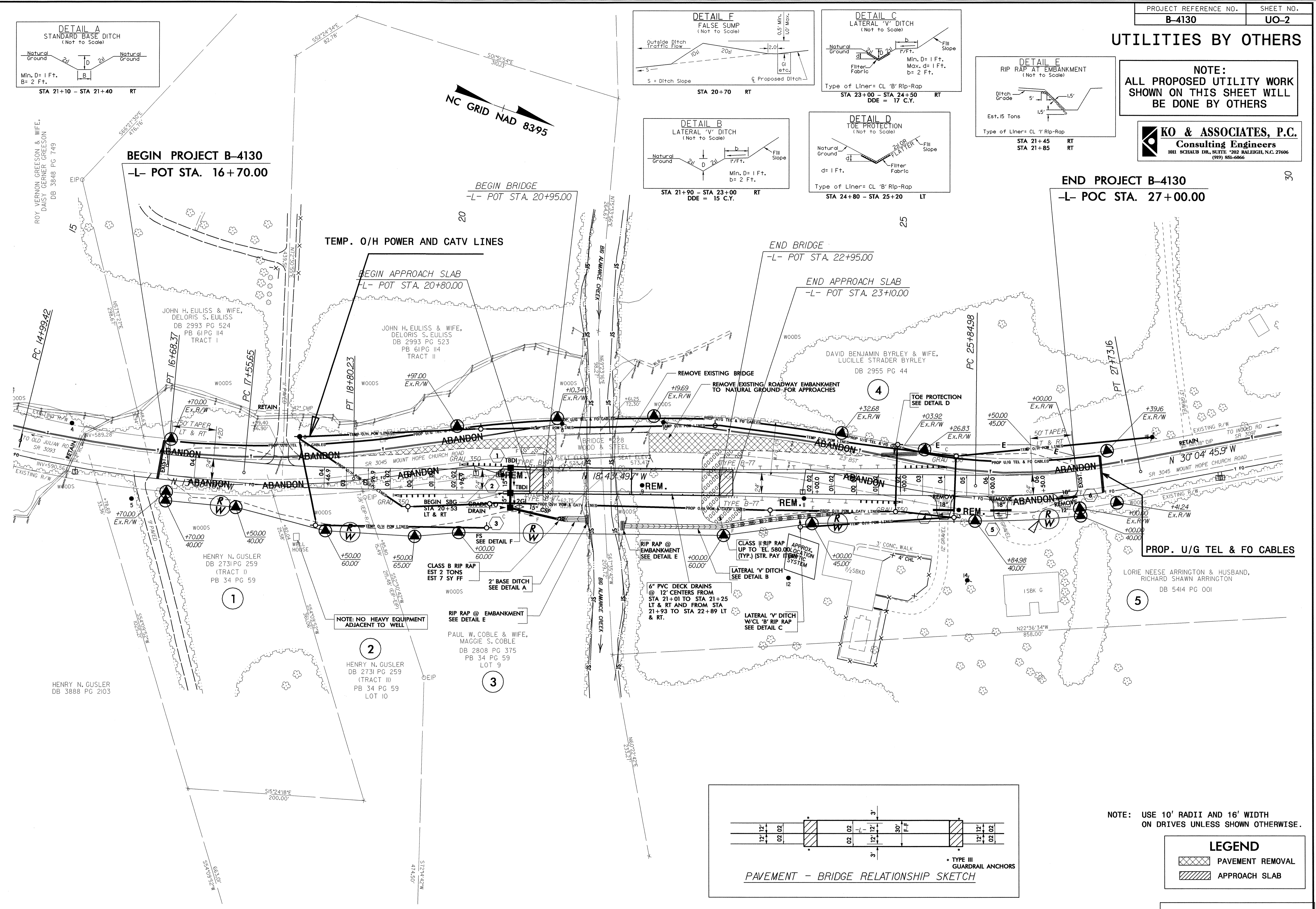
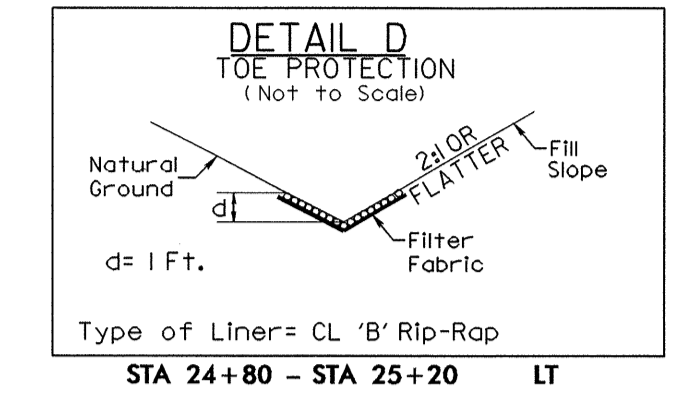
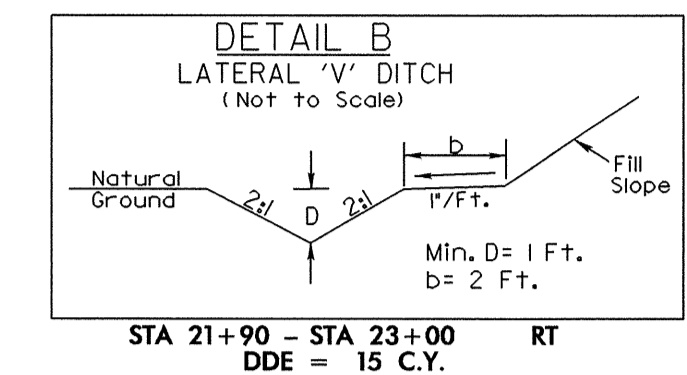
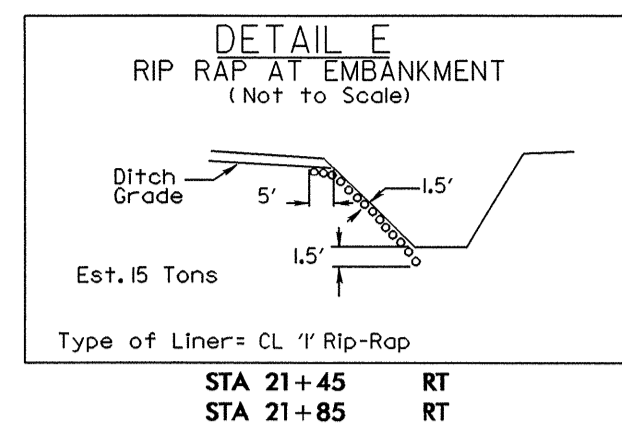
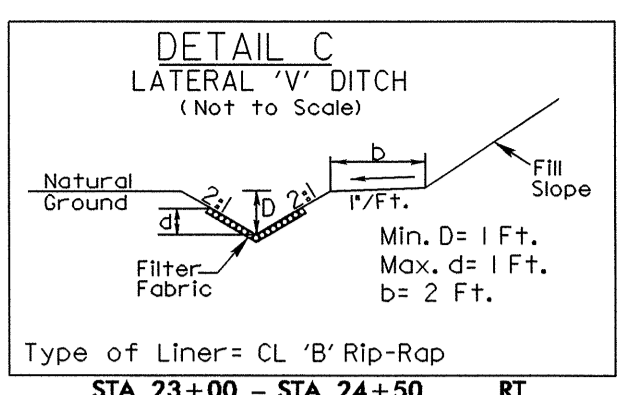
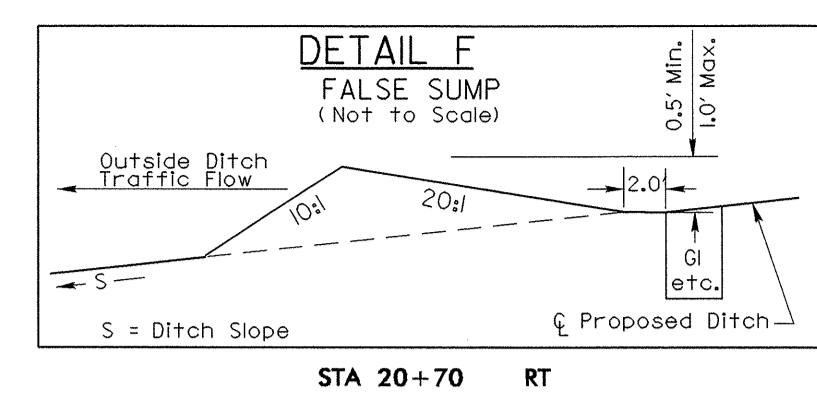
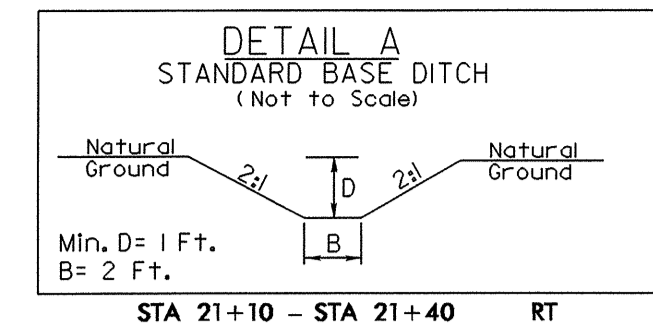
06-NOV-2007 11:08 P:\utilities\rdy\uf\proj\b4130_uf-uoL.tsh.dgn \$\$\$USERNAME\$\$\$

5/14/99

UTILITIES BY OTHERS

NOTE:
ALL PROPOSED UTILITY WORK SHOWN ON THIS SHEET WILL BE DONE BY OTHERS

KO & ASSOCIATES, P.C.
Consulting Engineers
1011 SCHAUB DR., SUITE 202 RALEIGH, N.C. 27606
(919) 851-6066



NOTE: USE 10' RADII AND 16' WIDTH ON DRIVES UNLESS SHOWN OTHERWISE.

LEGEND

- PAVEMENT REMOVAL
- APPROACH SLAB

FOR -L- PROFILE, SEE SHEET NO. 5

06-NOV-2007 11:09 b4130_rdy_uo-2_psh_04.dgn