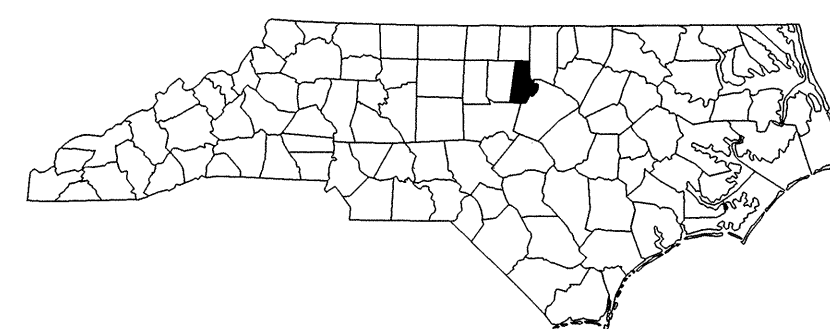
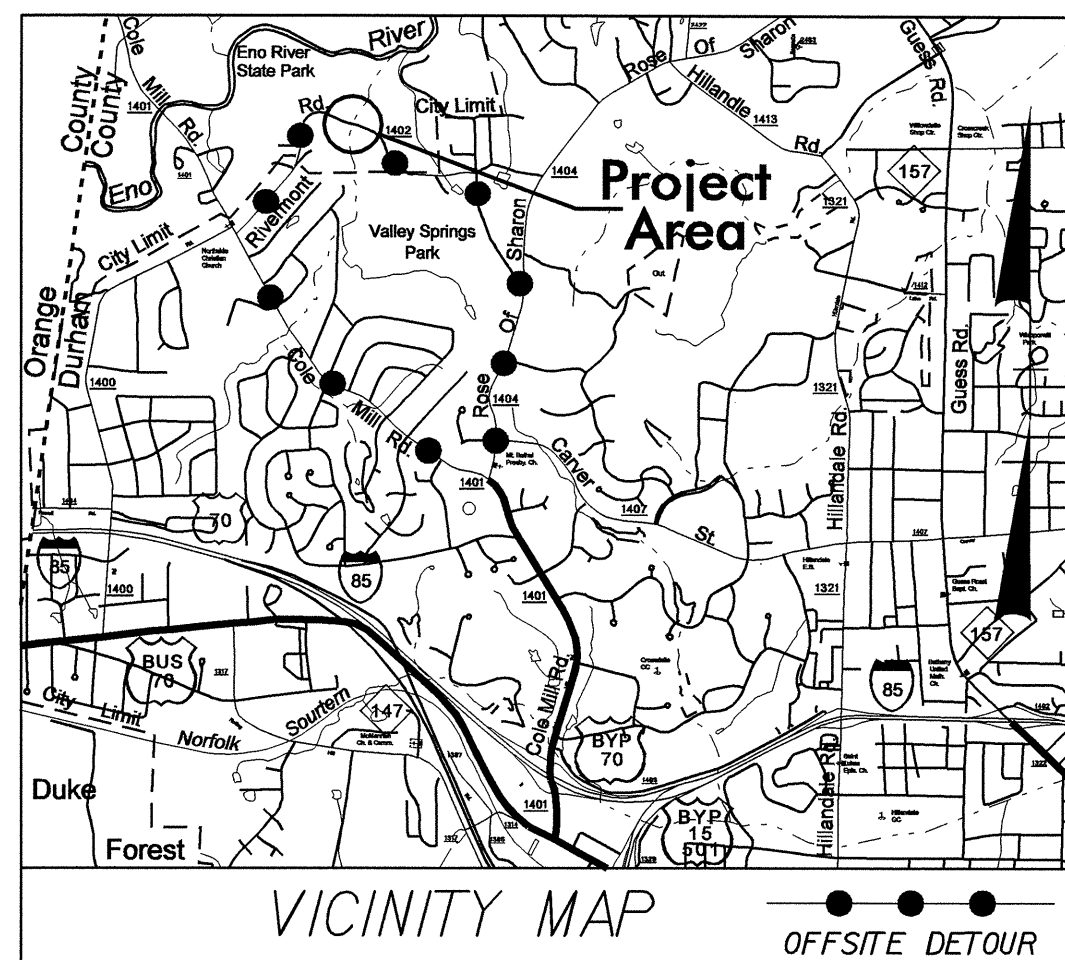


TIP PROJECT: B-3169

WBS NUMBER: 32906.1.1

See Sheet 1-A For Index of Sheets



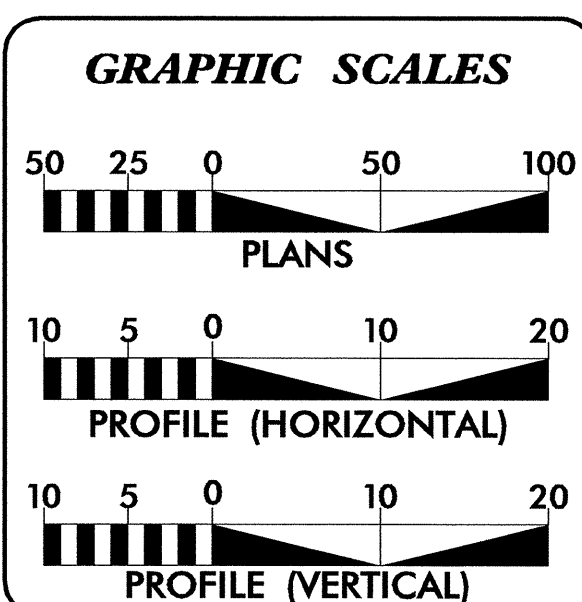
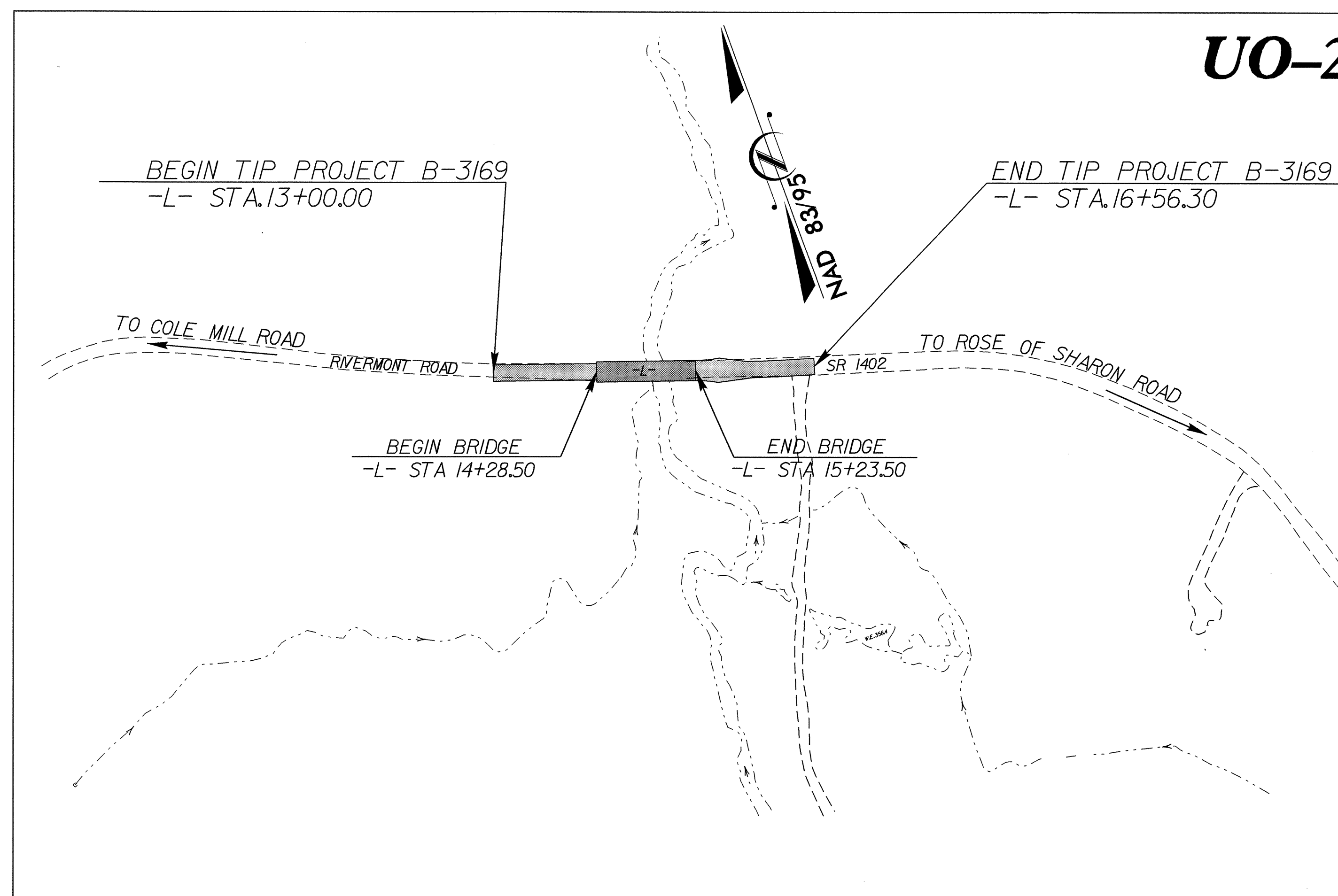
STATE OF NORTH CAROLINA
DIVISION OF HIGHWAYS

**UTILITIES BY OTHERS PLANS
DURHAM COUNTY**

LOCATION: BRIDGE NO. 158 ON SR 1402

TYPE OF WORK: UTILITY RELOCATION

T.I.P. NO.	SHEET NO.
B-3169	UO-1



INDEX OF SHEETS	
SHEET NO.	DESCRIPTION
UO-1	TITLE SHEET
UO-2	UTILITIES BY OTHERS PLAN SHEETS

UTILITY OWNERS ON PROJECT
(1) DUKE ENERGY

PREPARED IN THE OFFICE OF:
**DIVISION OF HIGHWAYS
DESIGN SERVICES
UTILITY SECTION**

1591 MAIL SERVICES CENTER
RALEIGH NC 27699-1591
PHONE (919) 250-4128
FAX (919) 250-4119

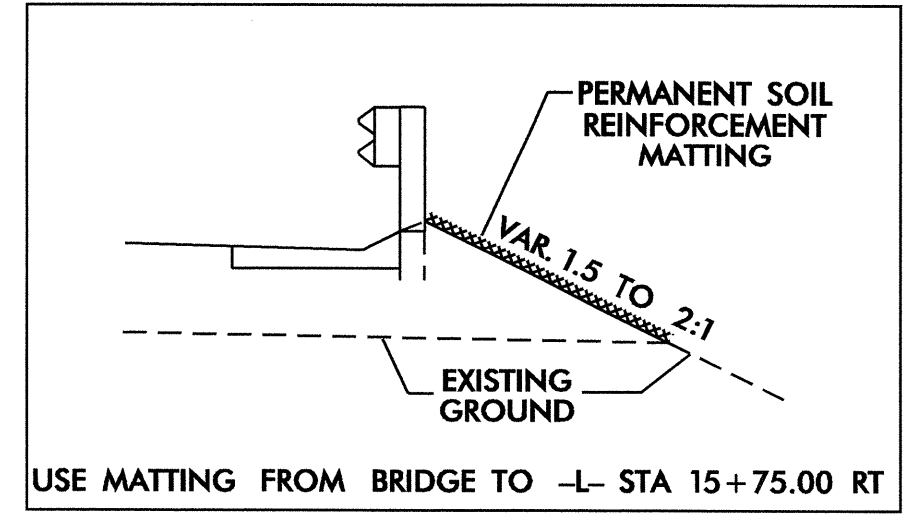
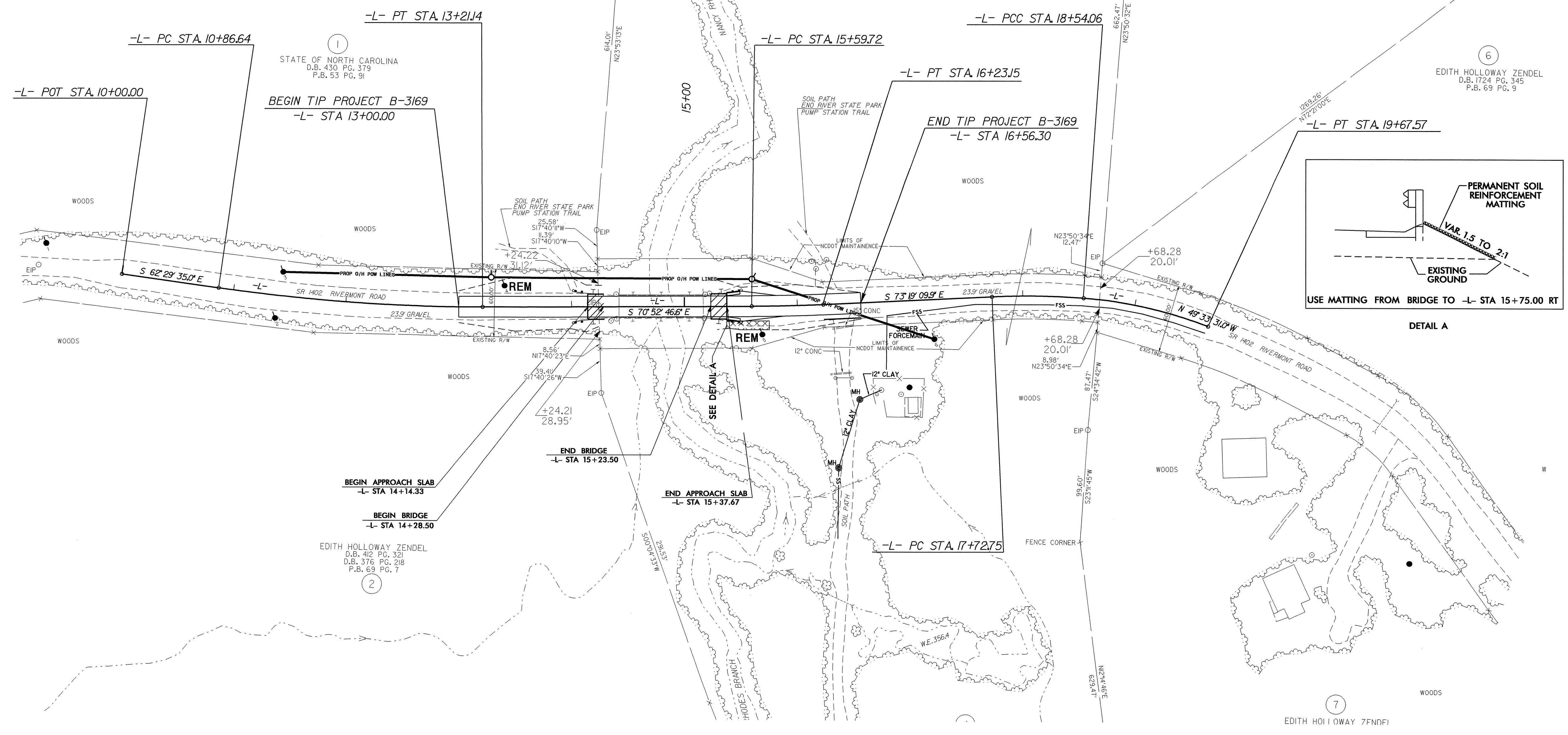
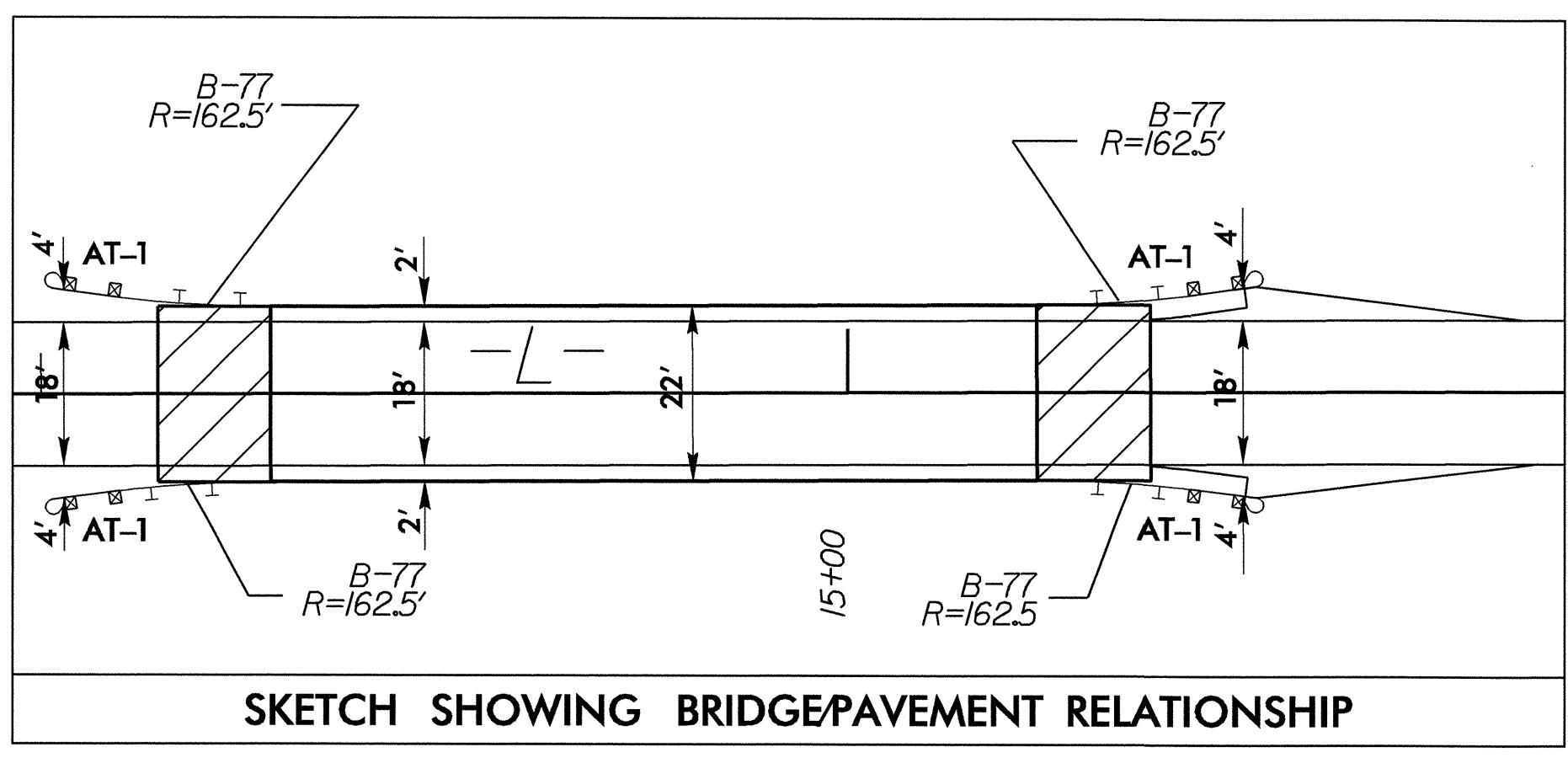
<u>Roger Worthington, P.E.</u>	UTILITIES SECTION ENGINEER
<u>Corey Bousquet, P.E.</u>	UTILITIES SQUAD LEADER PROJECT ENGINEER
<u>Stephanie Athey</u>	UTILITIES PROJECT DESIGNER

UTILITIES BY OTHERS

NOTE:
ALL PROPOSED UTILITY WORK
SHOWN ON THIS SHEET WILL
BE DONE BY OTHERS

-L- CURVE DATA

PI Sta 12+04.10 Δ = 8° 23' 11.6" (LT) D = 3° 34' 35.1" L = 234.50' T = 117.46' R = 1,602.05' SE = EXIST. VD = EXIST.	PI Sta 15+91.44 Δ = 2° 26' 23.3" (LT) D = 3° 50' 46.2" L = 63.43' T = 31.72' R = 1,489.68' SE = EXIST. VD = EXIST.	PI Sta 18+13.45 Δ = 6° 49' 45.2" (RT) D = 8° 23' 57.3" L = 81.31' T = 40.70' R = 682.15' SE = EXIST. VD = EXIST.	PI Sta 19+11.23 Δ = 16° 55' 54.4" (RT) D = 14° 55' 00.1" L = 113.51' T = 57.17' R = 384.10' SE = EXIST. VD = EXIST.
---	---	---	--



5/14/99
 27-SEP-2007 10:55
 R:\Utilities\B3169_Ut_04_UO2_psh.dgn
 \$\$\$\$USERNAME\$\$\$\$