

TIP PROJECT: B-3917

STATE OF NORTH CAROLINA
 DIVISION OF HIGHWAYS
 PLAN FOR PROPOSED
 HIGHWAY EROSION CONTROL
 WAKE COUNTY

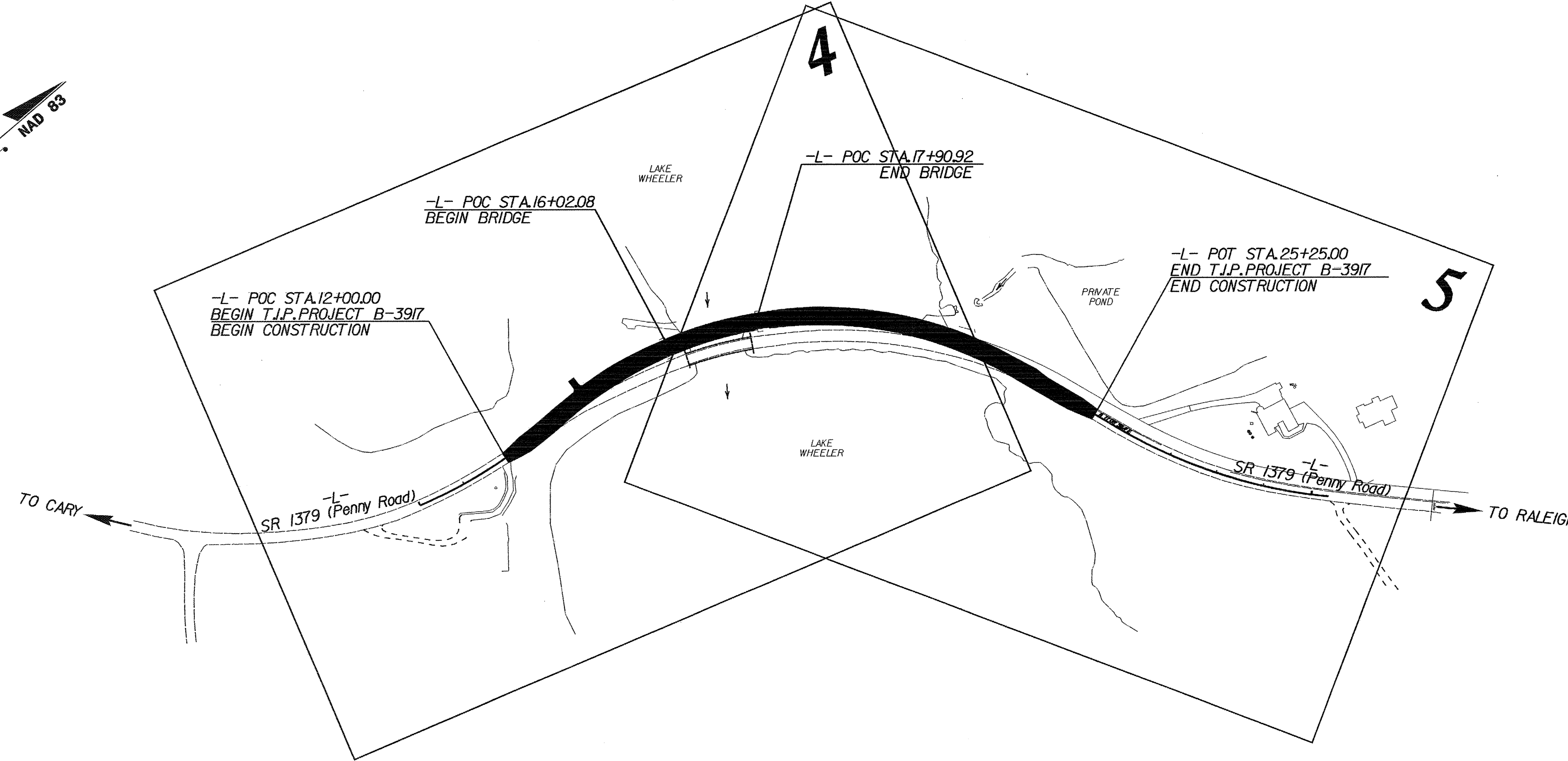
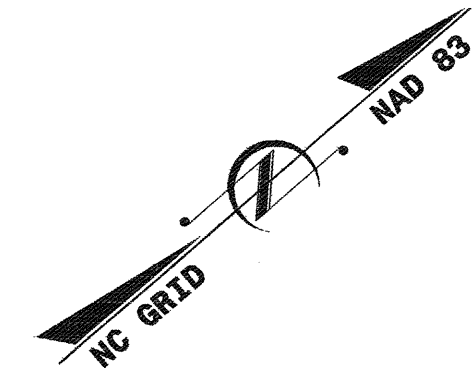
**LOCATION: BRIDGE NO. 311 OVER LAKE WHEELER (SWIFT CREEK)
 ON SR 1379 (PENNY ROAD)**

TYPE OF WORK: GRADING, DRAINAGE, PAVING, AND STRUCTURES

STATE	STATE PROJECT REFERENCE NO.	SHEET NO.	TOTAL SHEETS
N.C.	B-3917	EC-1	
STATE PROJ. NO.	F.A. PROJ. NO.	DESCRIPTION	

EROSION AND SEDIMENT CONTROL MEASURES

Std. #	Description	Symbol
	Streambank Reforestation	
1630.03	Temporary Silt Ditch	
1630.05	Temporary Diversion	
1605.01	Temporary Silt Fence	
1606.01	Special Sediment Control Fence	
1622.01	Temporary Berms and Slope Drains	
1630.01	Riser Basin	
1630.02	Silt Basin Type B	
1633.01	Temporary Rock Silt Check Type-A	
	Temporary Rock Silt Check Type-B	
1634.01	Temporary Rock Sediment Dam Type-A	
1634.02	Temporary Rock Sediment Dam Type-B	
1635.01	Rock Pipe Inlet Sediment Trap Type-A	
1635.02	Rock Pipe Inlet Sediment Trap Type-B	
1630.04	Stilling Basin	
	Rock Inlet Sediment Trap:	
1632.01	Type A	
1632.02	Type B	
1632.03	Type C	
	Skimmer Basin	
	Tiered Skimmer Basin	



**THIS PROJECT CONTAINS
 EROSION CONTROL PLANS
 FOR CLEARING AND
 GRUBBING PHASE OF
 CONSTRUCTION.**

**THIS PROJECT HAS
 BEEN DESIGNED TO
 SENSITIVE WATERSHED
 STANDARDS.**

**ENVIRONMENTALLY
 SENSITIVE AREA(S) EXIST
 ON THIS PROJECT**
*Refer To E. C. Special Provisions
 for Special Considerations.*

GRAPHIC SCALE

0

PLANS

0

PROFILE (HORIZONTAL)

0

PROFILE (VERTICAL)

ROADSIDE ENVIRONMENTAL UNIT
 DIVISION OF HIGHWAYS
 STATE OF NORTH CAROLINA

Prepared In the Office of:
ROADSIDE ENVIRONMENTAL UNIT
 1 South Wilmington St.
 Raleigh, NC 27611

2006 STANDARD SPECIFICATIONS

Prepared In the Office of:
ROADSIDE ENVIRONMENTAL UNIT
 1 South Wilmington St.
 Raleigh, NC 27611

2006 STANDARD SPECIFICATIONS

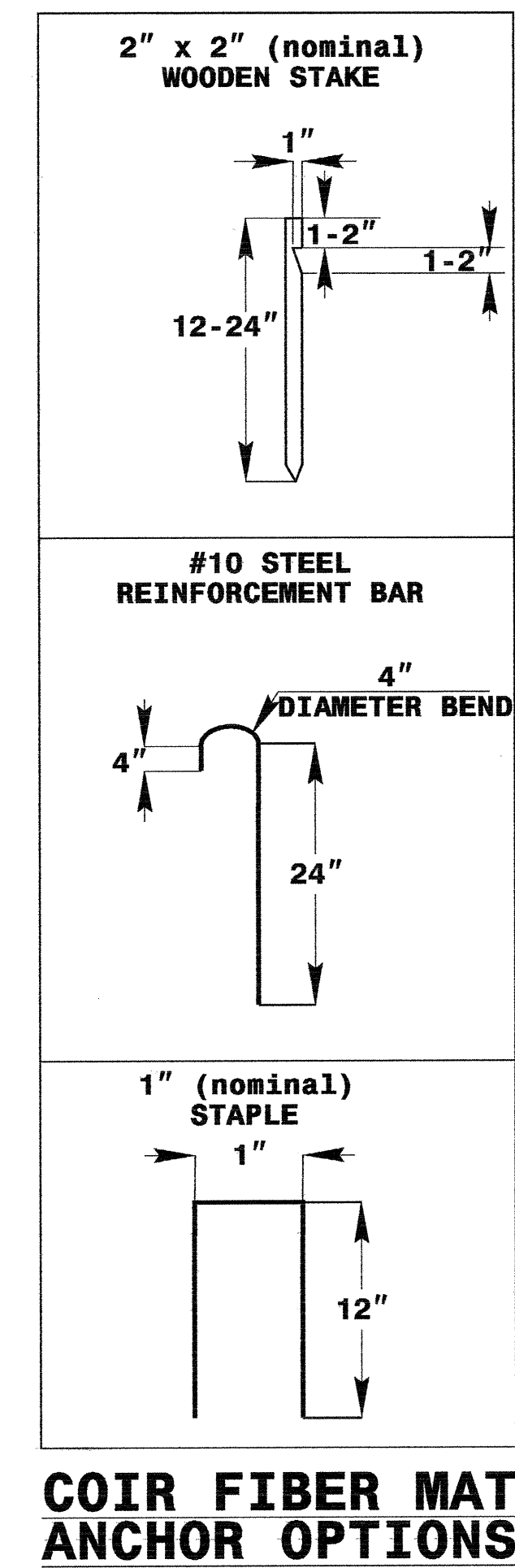
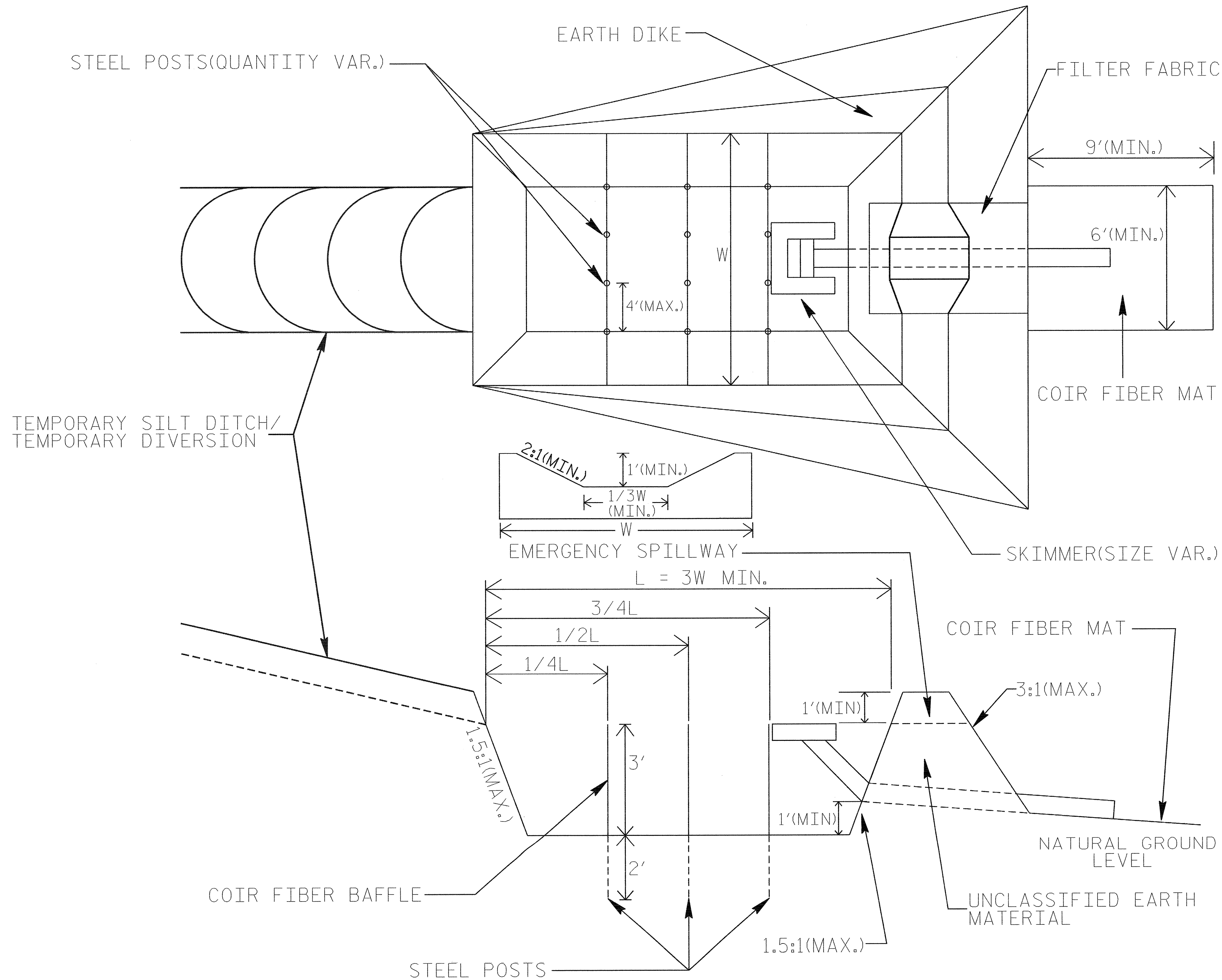
Roadway Standard Drawings

The following roadway english standards as appear in "Roadway Standard Drawings"- Roadway Design Unit - N. C. Department of Transportation - Raleigh, N. C., dated July 18, 2006 and the latest revision thereto are applicable to this project and by reference hereby are considered a part of these plans.

1605.01 Temporary Silt Fence	1630.06 Special Stilling Basin
1606.01 Special Sediment Control Fence	1632.03 Rock Inlet Sediment Trap Type C
1607.01 Gravel Construction Entrance	1633.01 Temporary Rock Silt Check Type A
1630.03 Temporary Silt Ditch	1634.02 Temporary Rock Sediment Dam Type B

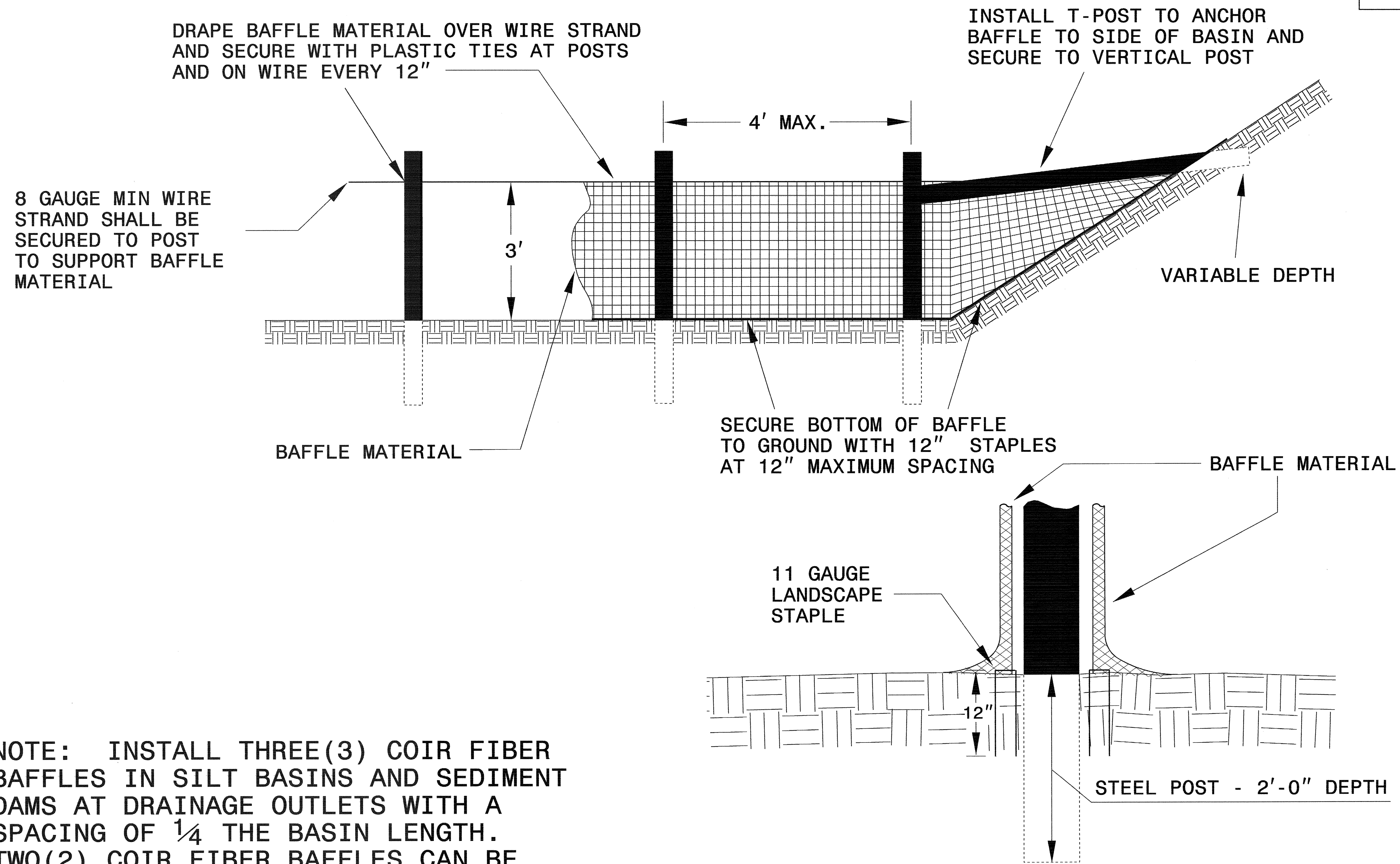
SKIMMER BASIN WITH BAFFLES DETAIL

PROJECT REFERENCE NO. B-3917	SHEET NO. EC-2
RW SHEET NO.	
ROADWAY DESIGN ENGINEER	HYDRAULICS ENGINEER



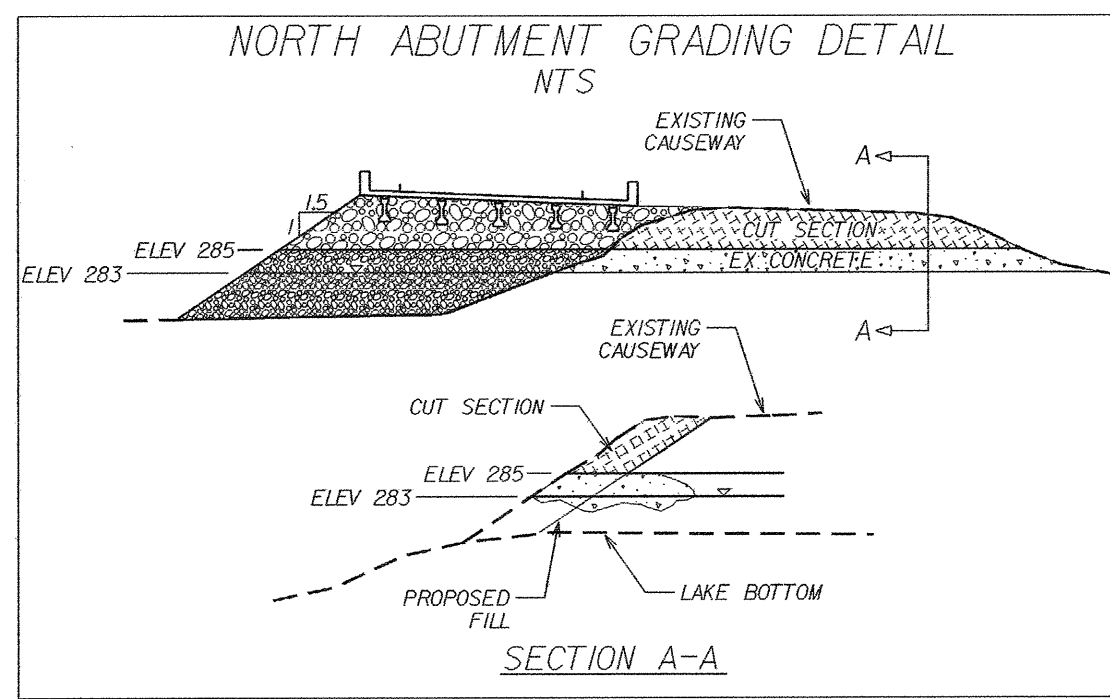
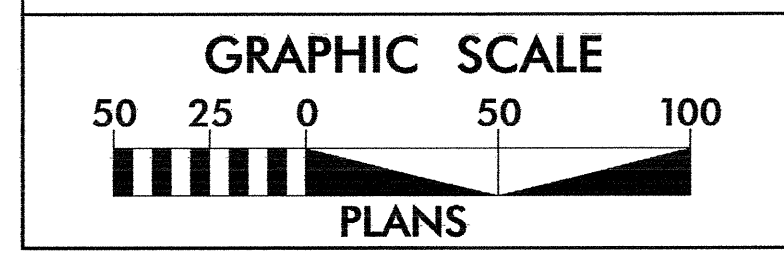
PROJECT REFERENCE NO. B-3917	SHEET NO. EC-3
RW SHEET NO.	
ROADWAY DESIGN ENGINEER	HYDRAULICS ENGINEER

COIR FIBER BAFFLE DETAIL



NOTE: INSTALL THREE(3) COIR FIBER BAFFLES IN SILT BASINS AND SEDIMENT DAMS AT DRAINAGE OUTLETS WITH A SPACING OF $\frac{1}{4}$ THE BASIN LENGTH. TWO(2) COIR FIBER BAFFLES CAN BE INSTALLED IN SILT BASINS AND DAMS LESS THAN 20 FT. IN LENGTH WITH A SPACING OF $\frac{1}{3}$ THE BASIN LENGTH.

BAFFLE MATERIAL SHALL BE SECURED TO THE BOTTOM AND SIDES OF BASIN USING 12" LANDSCAPE STAPLES

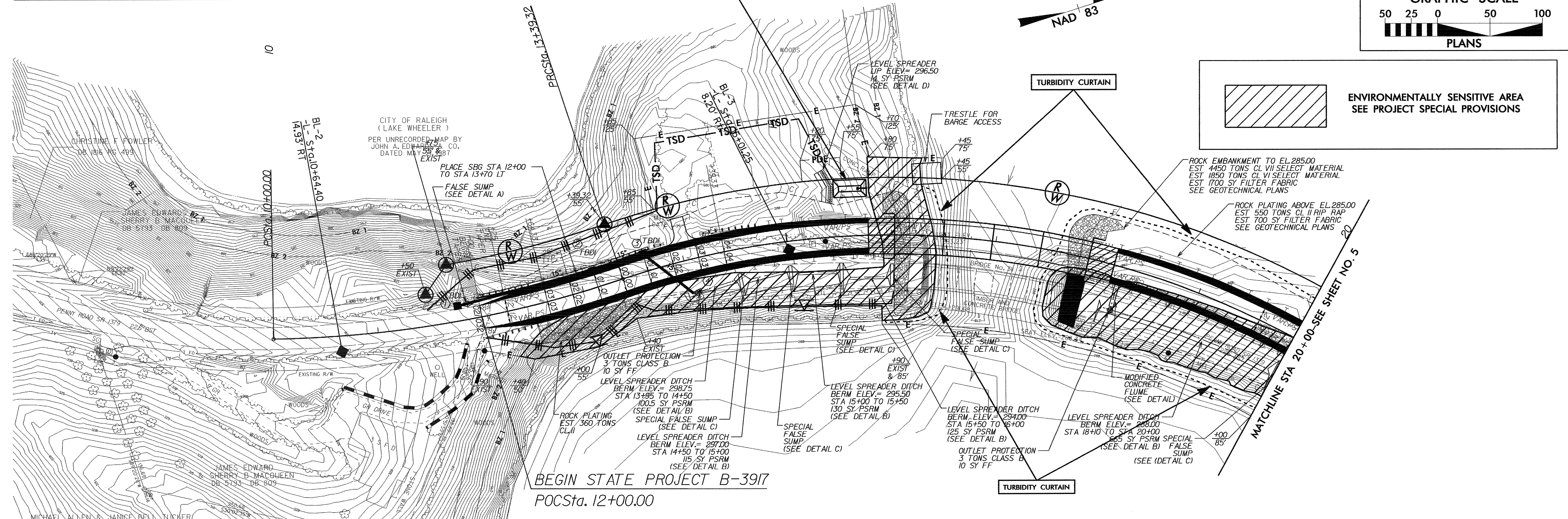


NOTE: UTILIZE SPECIAL STILLING BASIN AND/OR SKIMMER BASIN AS STILLING BASIN WHERE APPLICABLE.

NOTE: PLACE TEMPORARY ROCK SEDIMENT DAMS TYPE - B AND TEMPORARY ROCK SILT CHECKS TYPE - A AT DRAINAGE OUTLETS.

CLEARING AND GRUBBING EROSION CONTROL FOR CONSTRUCTION SHEET 4

31 x 16 x 3
2 inch Skimmer
with 1.5 inch
Orifice Diameter
6 ft. weir
ID 4.1C

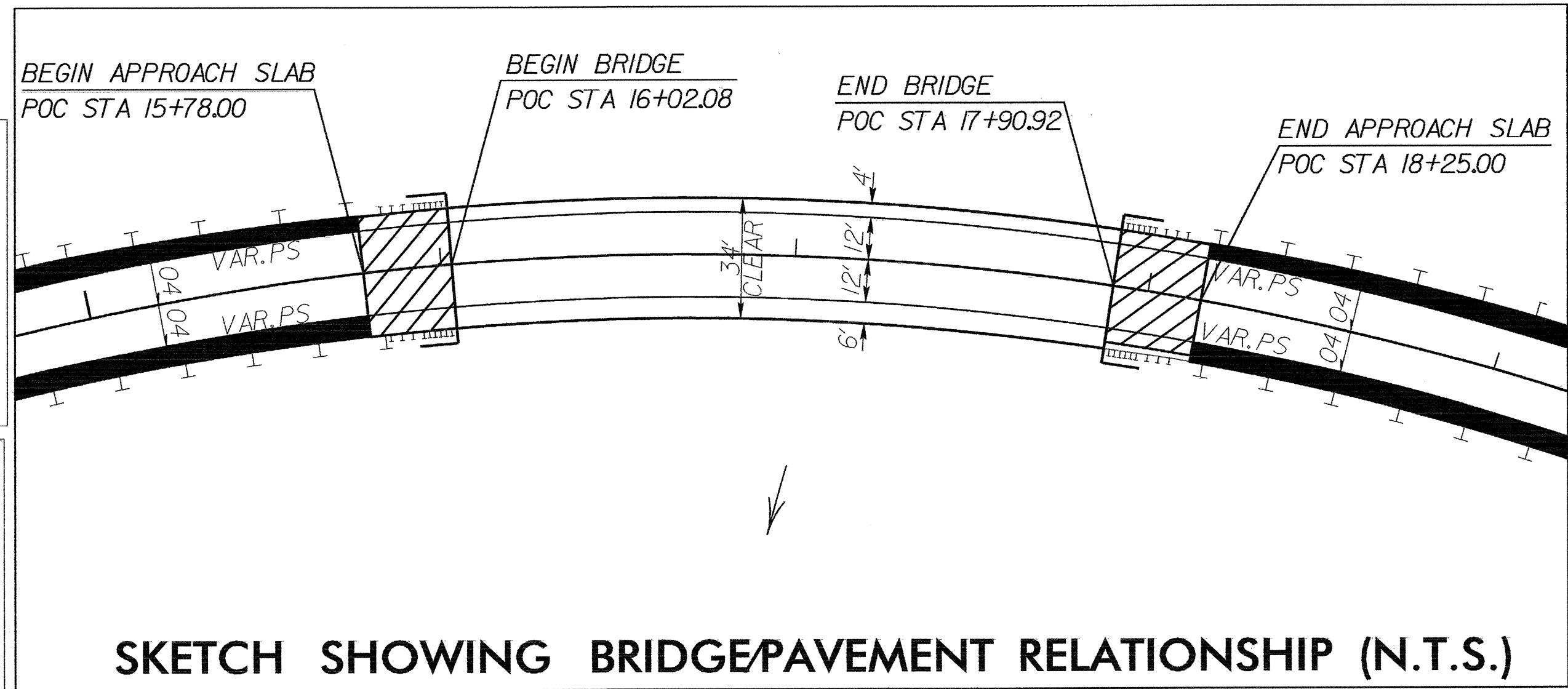
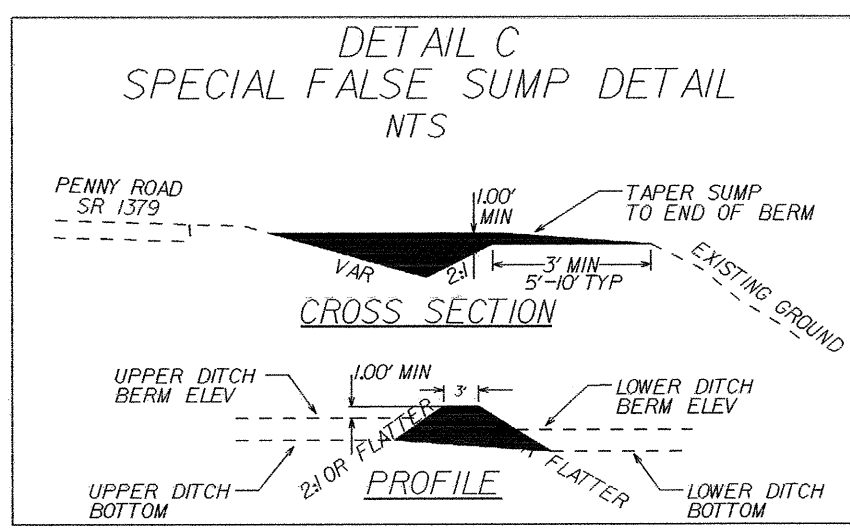
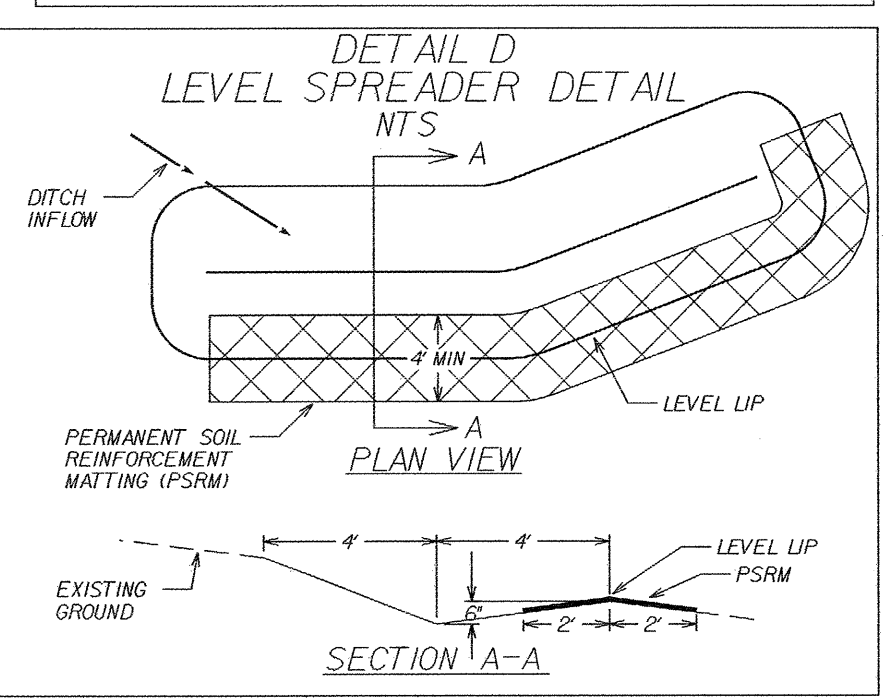
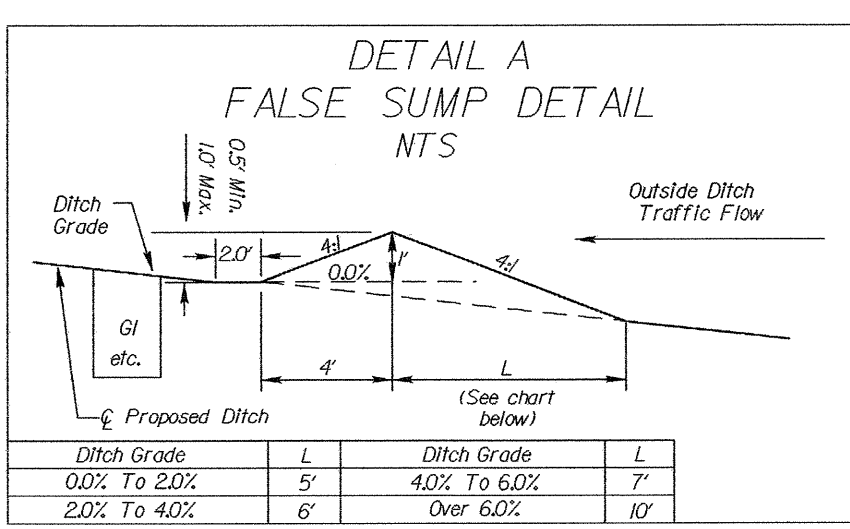
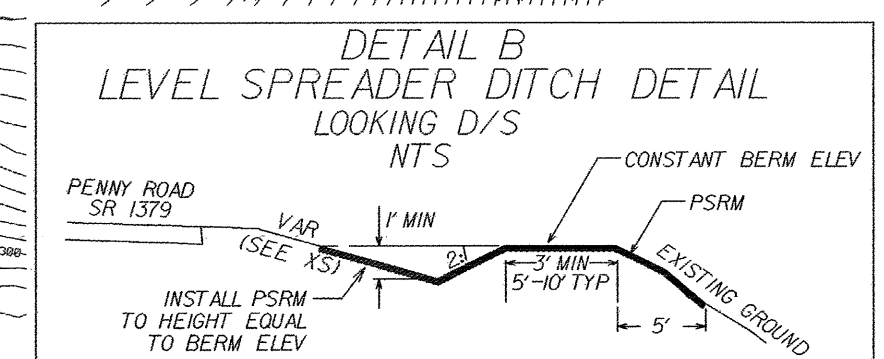


ENVIRONMENTALLY SENSITIVE AREA SEE PROJECT SPECIAL PROVISIONS

REVISIONS

PI Sta 11+71.02
 $\Delta = 17^{\circ} 40' 27.8''$ (LT)
 $D = 5' 12' 31.3''$
 $L = 339.32'$
 $T = 171.02'$
 $R = 1,000.00'$
 $e = \text{SEE PLANS}$
 $R.O. = \text{SEE PLANS}$

PI Sta 19+19.22
 $\Delta = 71^{\circ} 52' 28.8''$ (RT)
 $D = 7' 09' 43.1''$
 $L = 1,003.56'$
 $T = 579.90'$
 $R = 800.00'$
 $e = 0.04 \text{ FT./FT.}$
 $R.O. = \text{SEE PLANS}$

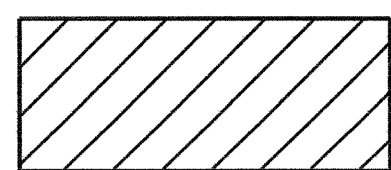


FOR -L- PROFILE, SEE SHEET 6

PROJECT REFERENCE NO. B-3917	SHEET NO. EC-5/CONST.5
RW SHEET NO.	
ROADWAY DESIGN ENGINEER	HYDRAULICS ENGINEER
GRAPHIC SCALE	
50 25 0 50 100	
PLANS	

NOTE:
PLACE TEMPORARY ROCK SEDIMENT DAMS TYPE - B
AND TEMPORARY ROCK SILT CHECKS TYPE - A AT
DRAINAGE OUTLETS.

CLEARING AND GRUBBING
EROSION CONTROL FOR
CONSTRUCTION SHEET 5

 ENVIRONMENTALLY SENSITIVE AREA
SEE PROJECT SPECIAL PROVISIONS

32 x 10 x 3
4' weir
ID 5.2C

16 x 6 x 3
4' weir
ID 5.1C

END STATE PROJECT B-3917
POT Sta. 25+25.00

CITY OF RALEIGH
(LAKE WHEELER)
PER UNRECORDED MAP BY
JOHN A. EDWARDS & CO.
DATED MAY 21, 1987

CITY OF RALEIGH
(LAKE WHEELER)
PER UNRECORDED MAP BY
JOHN A. EDWARDS & CO.
DATED MAY 21, 1987

CITY OF RALEIGH
NO REFERENCE FOUND

CITY OF RALEIGH
DB 1273 PG 001

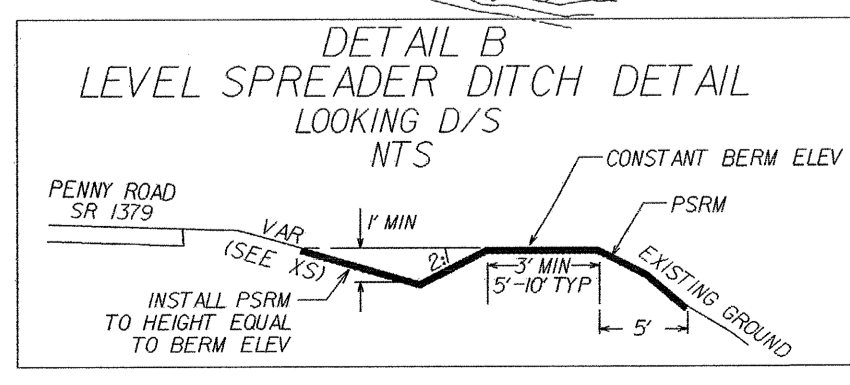
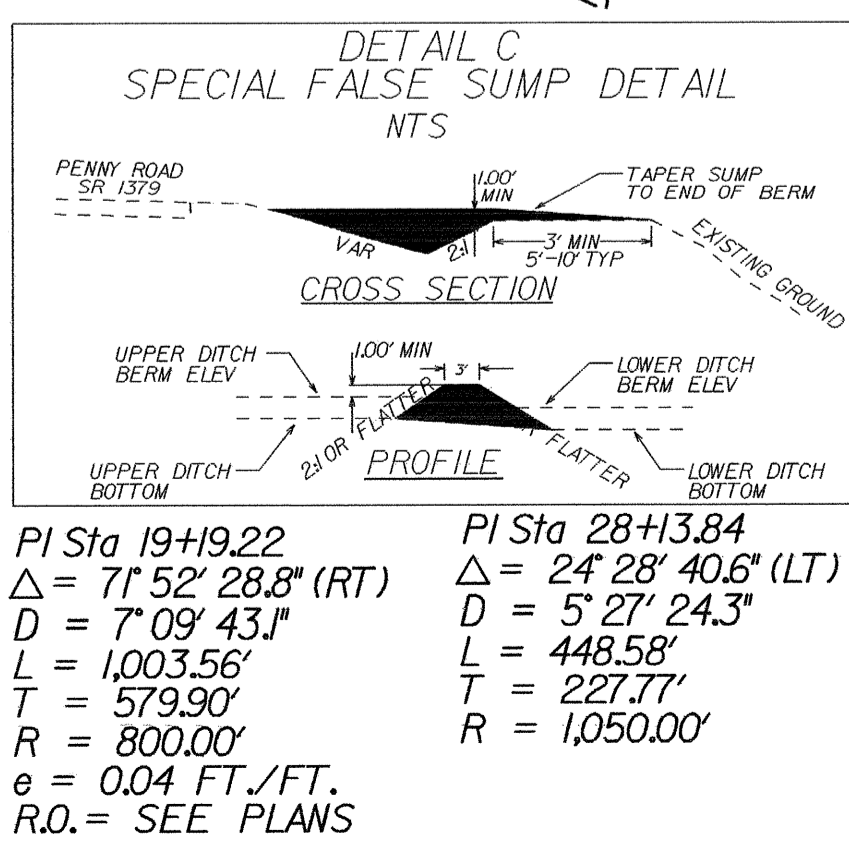
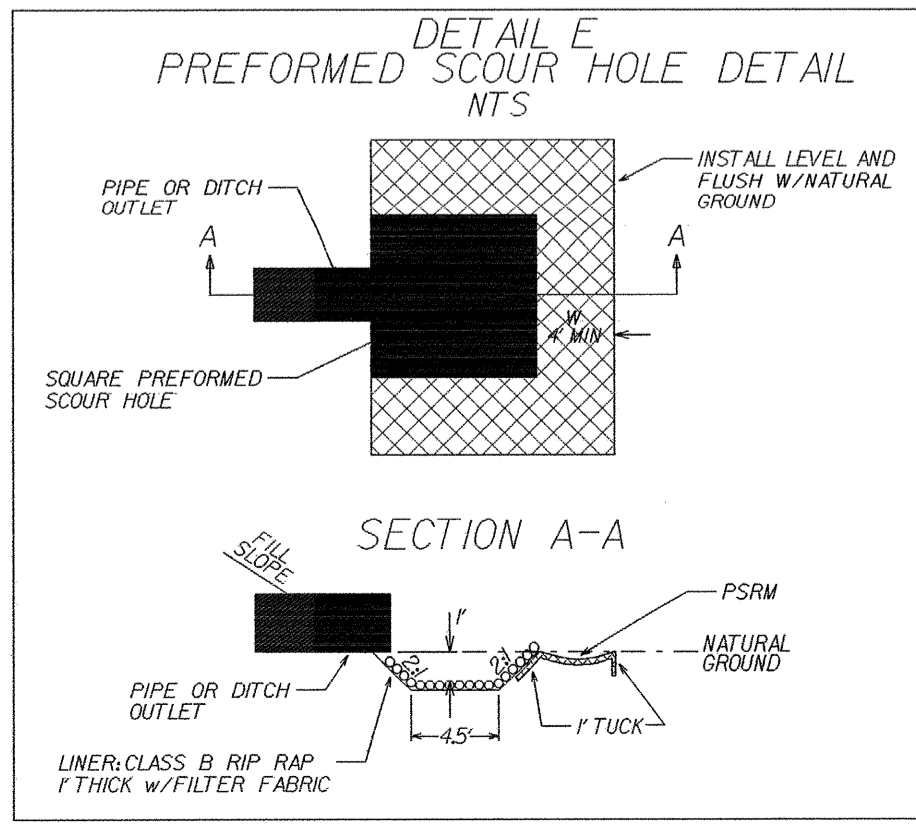
MATCHLINE STA 20+00-SEE SHEET NO. 4

TURBIDITY CURTAIN

TURBIDITY CURTAIN

LEVEL SPREADER DITCH
BEAM ELEV. = 288.00
RI = 4.0 ST PSRM
L = 1003.56'
T = 227.77'
R = 1050.00'
e = 0.04 FT./FT.
R.O. = SEE PLANS

PLACE PRE-FORMED
3/4" TONS CLASS B
PSRM
D = 5' 27" 24.3"
L = 448.58'
T = 227.77'
R = 1050.00'
(SEE DETAIL E)

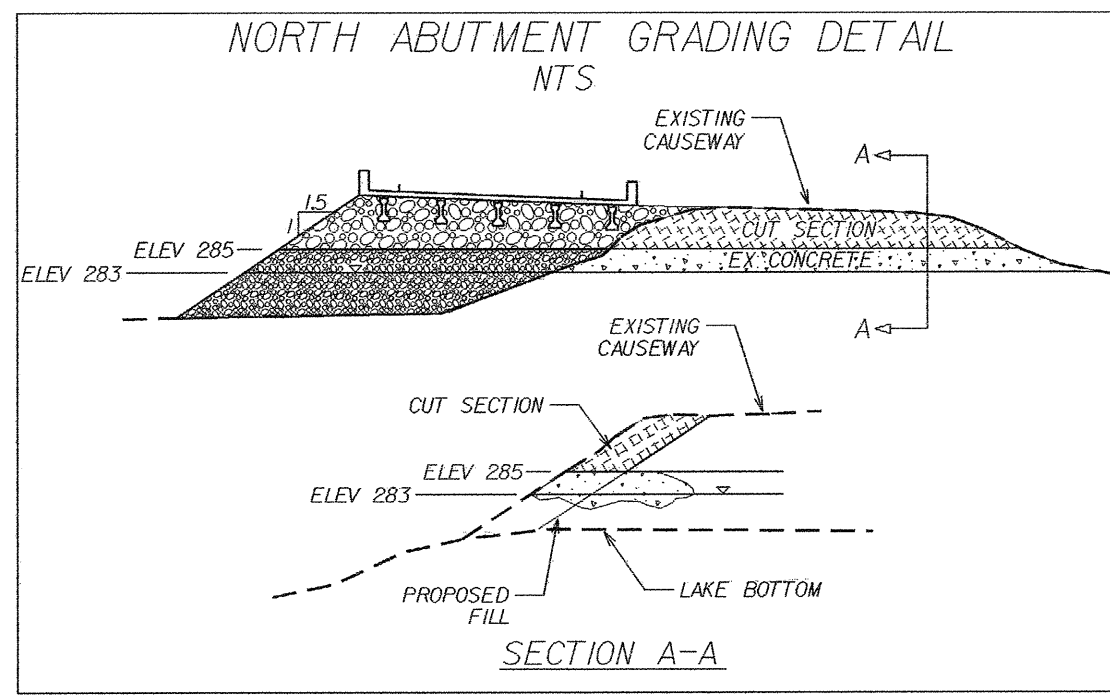


FOR -L- PROFILE, SEE SHEET 6

REVISIONS

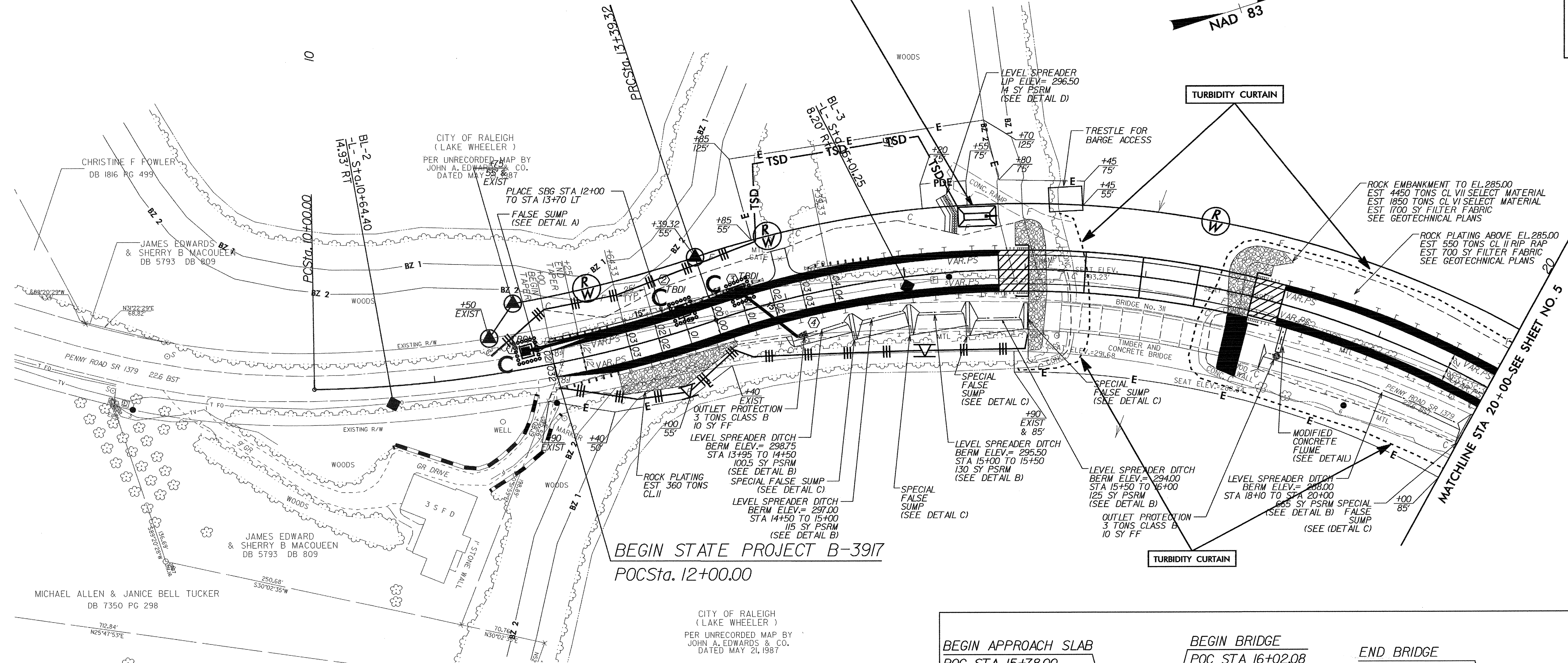
DATE: 04/27/05
TIME: 09:15 AM
USER: JAE/MS/MS
APP: 05/05/05

PROJECT REFERENCE NO. B-3917		SHEET NO. EC-6/CONST.6	
RW SHEET NO.			
ROADWAY DESIGN ENGINEER		HYDRAULICS ENGINEER	
GRAPHIC SCALE 50 25 0 50 100 PLANS			



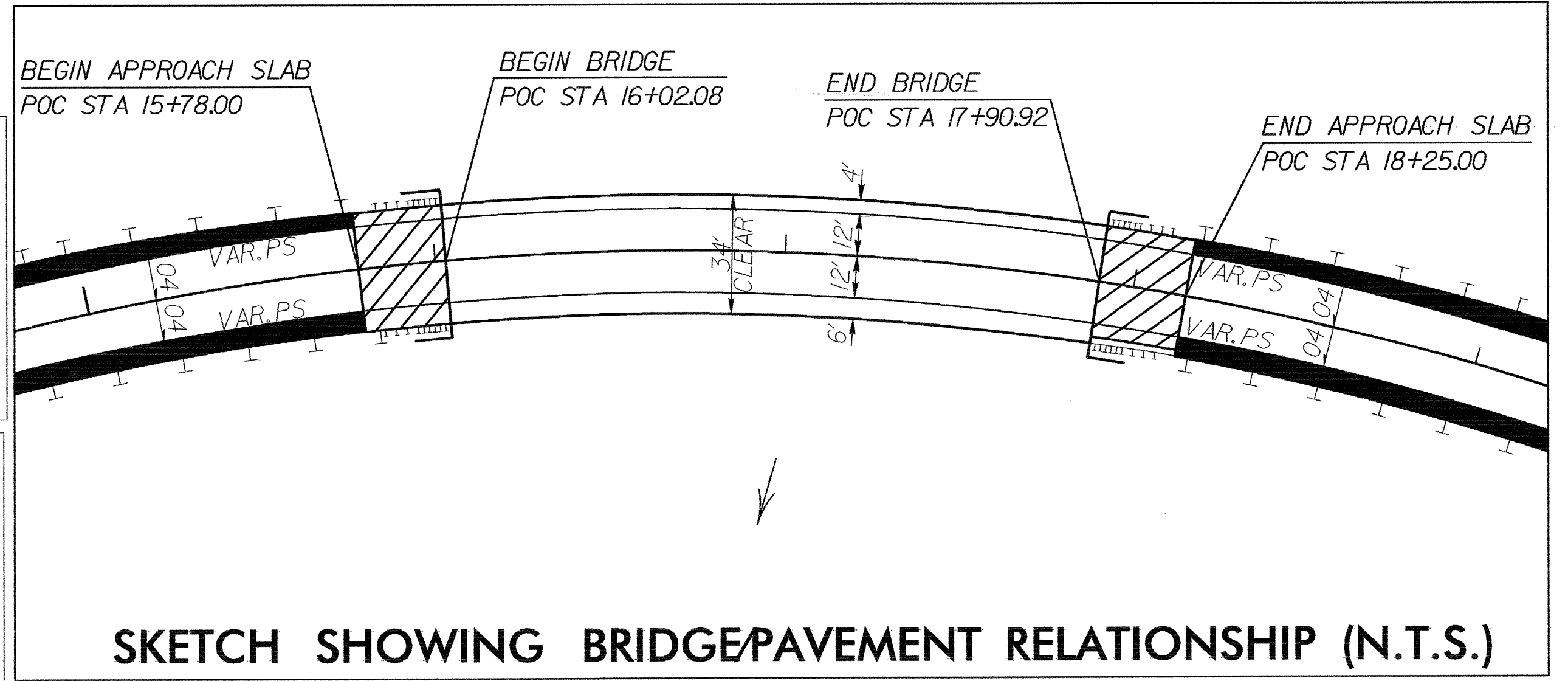
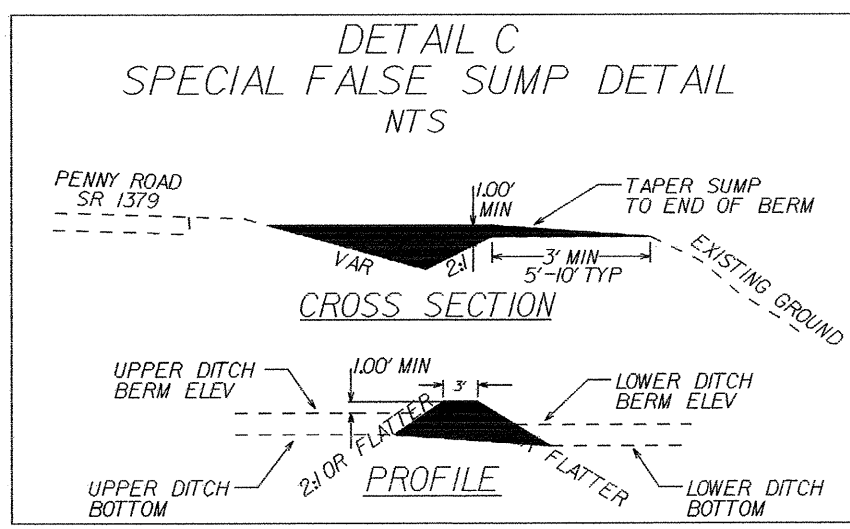
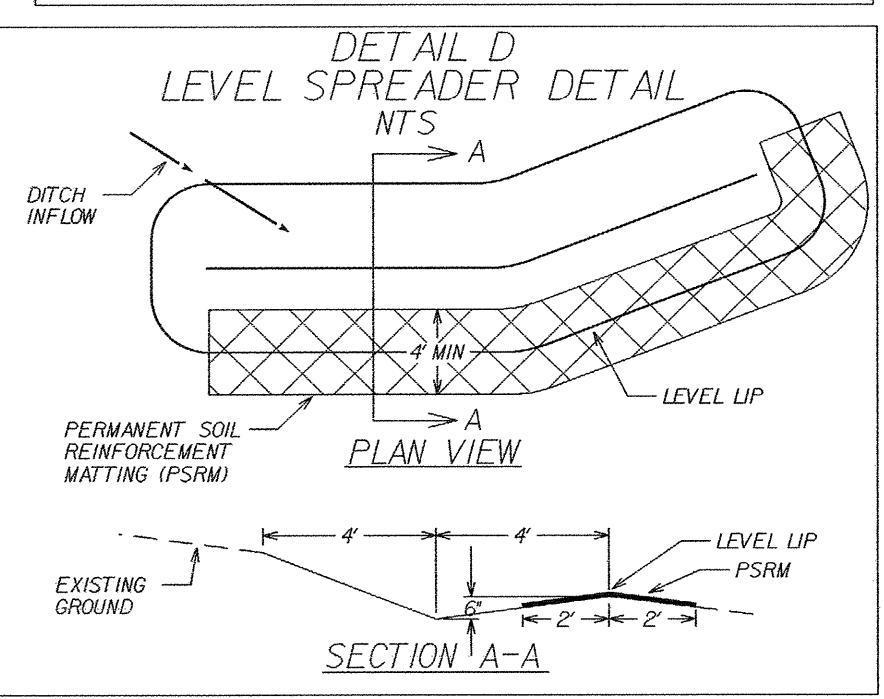
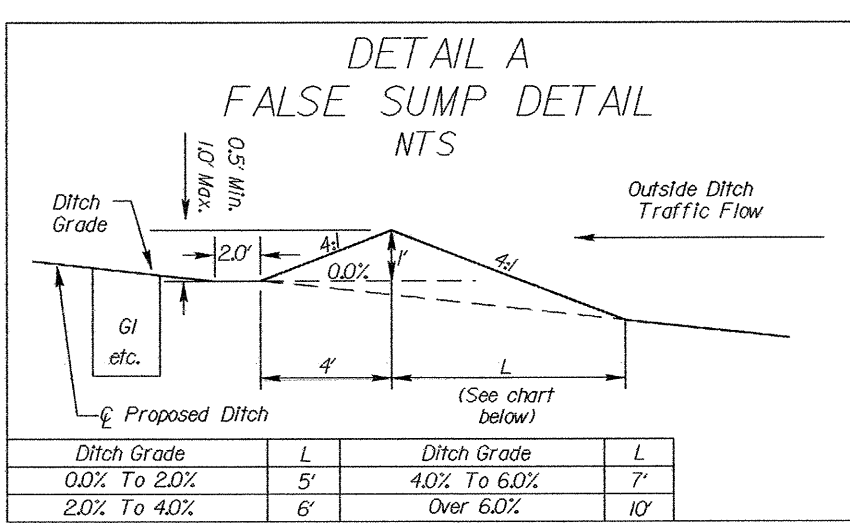
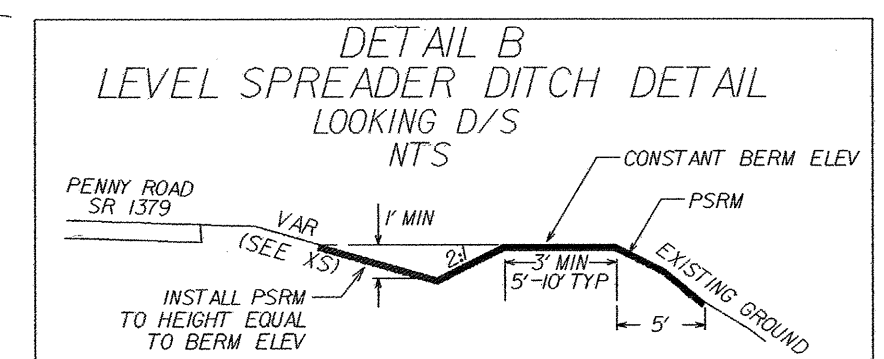
NOTE:
UTILIZE SPECIAL STILLING BASIN AND/OR SKIMMER BASIN AS STILLING BASIN WHERE APPLICABLE.

31 x 16 x 3
2 inch Skimmer
with 1.5 inch
Orifice Diameter
6 ft. weir
ID 4.1C



PI Sta 11+71.02
 $\Delta = 17^{\circ} 40' 27.8"$ (LT)
 $D = 5' 12' 31.3"$
 $L = 339.32'$
 $T = 171.02'$
 $R = 1100.00'$
 $e = \text{SEE PLANS}$
 $R.O. = \text{SEE PLANS}$

PI Sta 19+19.22
 $\Delta = 71^{\circ} 52' 28.8"$ (RT)
 $D = 7' 09' 43.1"$
 $L = 1,003.56'$
 $T = 579.90'$
 $R = 800.00'$
 $e = 0.04 \text{ FT./FT.}$
 $R.O. = \text{SEE PLANS}$



FOR -L- PROFILE, SEE SHEET 6

REVISIONS

DATE: 8/21/88
 USER: SUSENS
 DRAWN: SUSENS
 CHECKED: SUSENS

