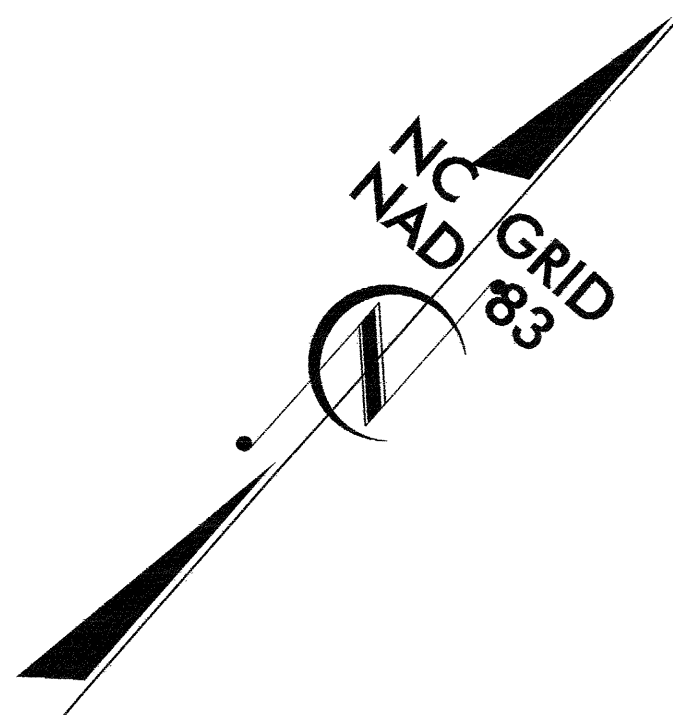
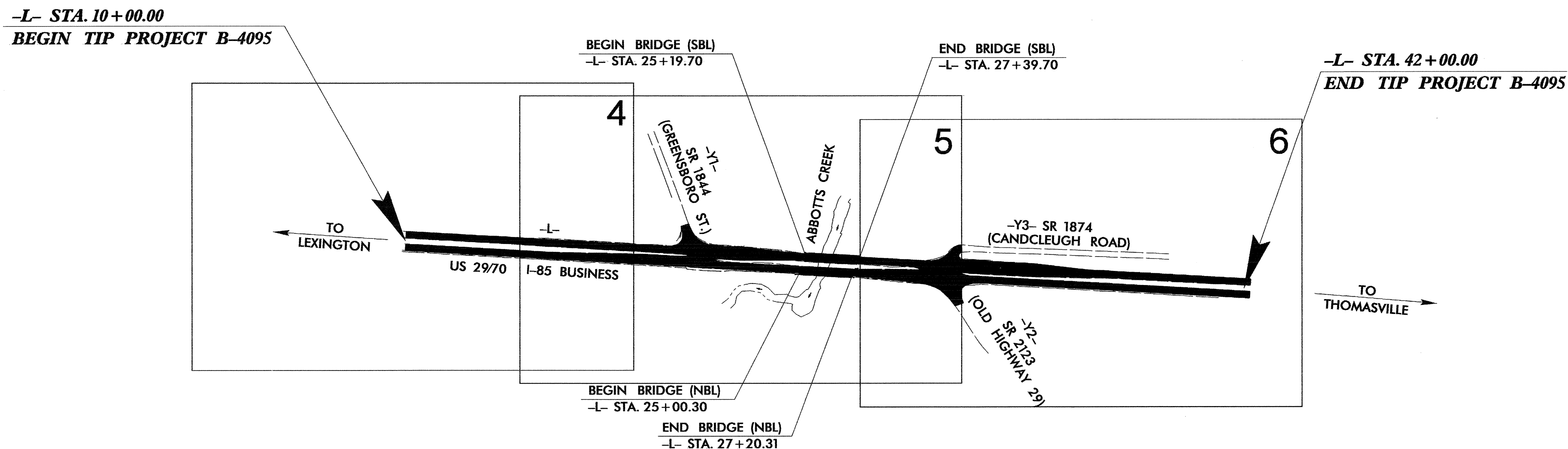


TIP PROJECT: B-4095

STATE OF NORTH CAROLINA
 DIVISION OF HIGHWAYS
 PLAN FOR PROPOSED
 HIGHWAY EROSION CONTROL
DAVIDSON COUNTY



LOCATION: BRIDGE NO. 129 (NBL) & NO. 130 (SBL) OVER ABBOTTS CREEK ON US 29 /70 AND I-85 BUSINESS LOOP
TYPE OF WORK: GRADING, DRAINAGE, STRUCTURES, PAVING, WIDENING AND RESURFACING

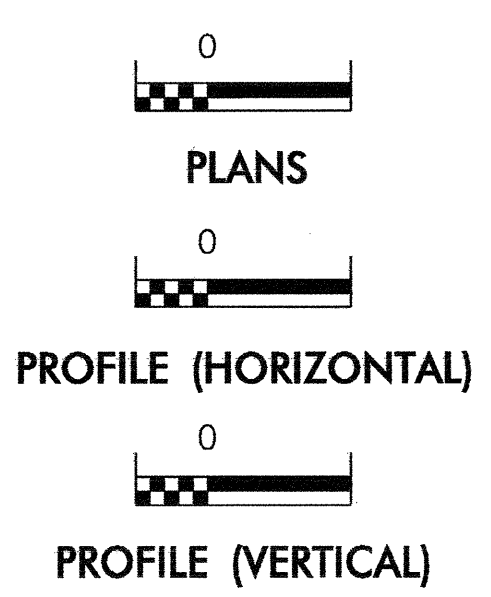


EROSION AND SEDIMENT CONTROL MEASURES

| Std. # | Description | Symbol |
|---------|--------------------------------------|--------|
| | Streambank Reforestation | |
| 1630.03 | Temporary Silt Ditch | |
| 1630.05 | Temporary Diversion | |
| 1605.01 | Temporary Silt Fence | |
| 1606.01 | Special Sediment Control Fence | |
| 1622.01 | Temporary Berms and Slope Drains | |
| 1630.01 | Riser Basin | |
| 1630.02 | Silt Basin Type B | |
| 1633.01 | Temporary Rock Silt Check Type-A | |
| | Temporary Rock Silt Check Type-B | |
| 1634.01 | Temporary Rock Sediment Dam Type-A | |
| 1634.02 | Temporary Rock Sediment Dam Type-B | |
| 1635.01 | Rock Pipe Inlet Sediment Trap Type-A | |
| 1635.02 | Rock Pipe Inlet Sediment Trap Type-B | |
| 1630.04 | Stilling Basin | |
| | Rock Inlet Sediment Trap: | |
| 1632.01 | Type A | |
| 1632.02 | Type B | |
| 1632.03 | Type C | |
| | Skimmer Basin | |
| | Tiered Skimmer Basin | |

THIS PROJECT CONTAINS
 EROSION CONTROL PLANS
 FOR CLEARING AND
 GRUBBING PHASE OF
 CONSTRUCTION.

GRAPHIC SCALE



ROADSIDE ENVIRONMENTAL UNIT
 DIVISION OF HIGHWAYS
 STATE OF NORTH CAROLINA

Prepared in the Office of:
ROADSIDE ENVIRONMENTAL UNIT
 1 South Wilmington St.
 Raleigh, NC 27611
2006 STANDARD SPECIFICATIONS

Roadway Standard Drawings

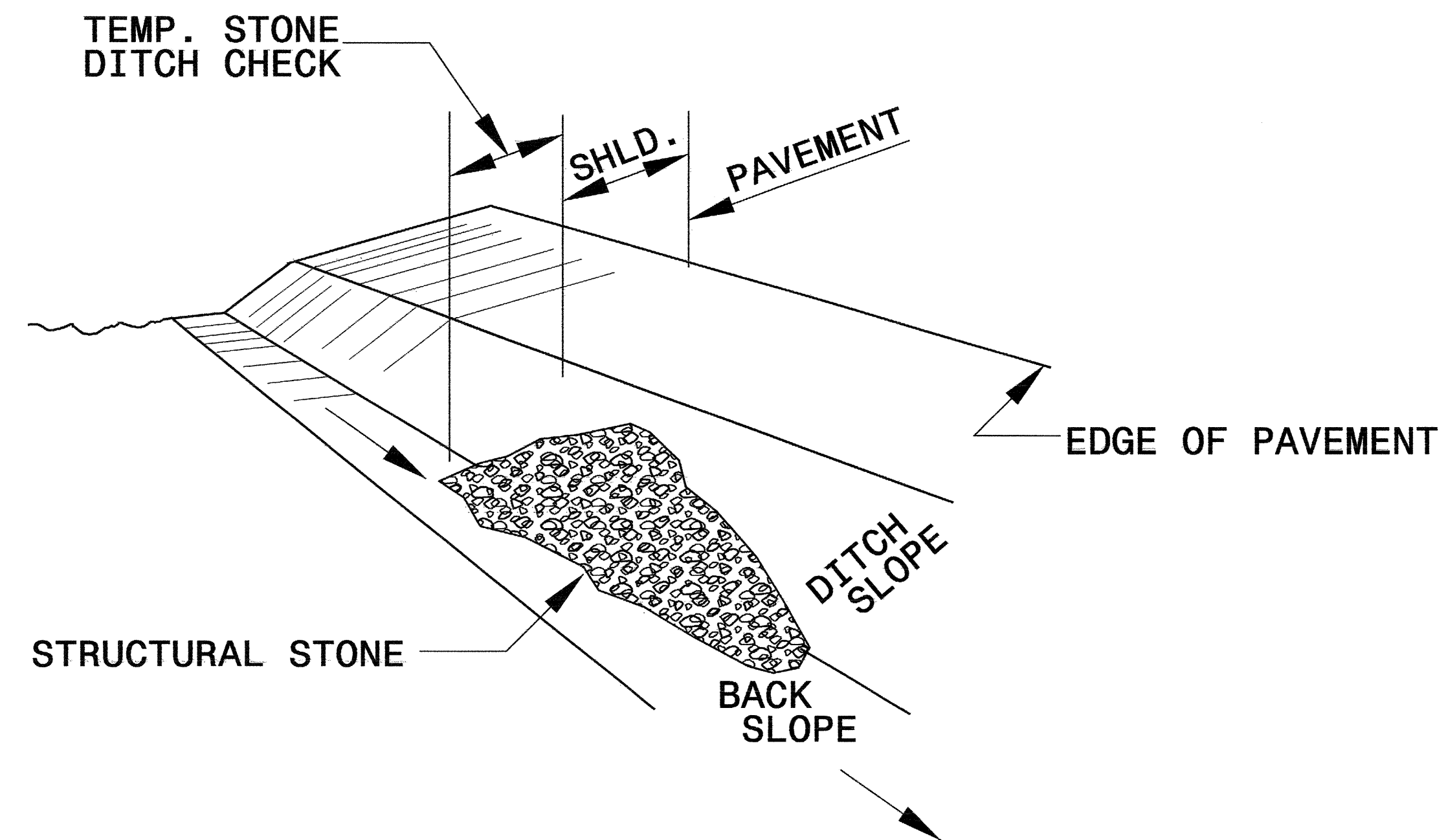
The following roadway english standards as appear in "Roadway Standard Drawings"- Roadway Design Unit - N. C. Department of Transportation - Raleigh, N. C., dated July 18, 2006 and the latest revision thereto are applicable to this project and by reference hereby are considered a part of these plans.

| | |
|--|--|
| 1605.01 Temporary Silt Fence | 1630.05 Temporary Diversion |
| 1606.01 Special Sediment Control Fence | 1630.06 Special Stilling Basin |
| 1607.01 Gravel Construction Entrance | 1632.03 Rock Inlet Sediment Trap Type C |
| 1622.01 Temporary Berms and Slope Drains | 1633.01 Temporary Rock Silt Check Type A |
| 1630.02 Silt Basin Type B | 1634.02 Temporary Rock Sediment Dam Type B |
| 1630.03 Temporary Silt Ditch | |

05-MAY-2007 10:25
 h:\p\1045\BEN\23181\design\B-4095_EC-r.dwg

| | |
|---------------------------------|---------------------|
| PROJECT REFERENCE NO. B-4095 | SHEET NO. EC-2 |
| RW SHEET NO. | |
| ROADWAY DESIGN ENGINEER | HYDRAULICS ENGINEER |

TEMPORARY ROCK SILT CHECK TYPE 'B' DETAIL

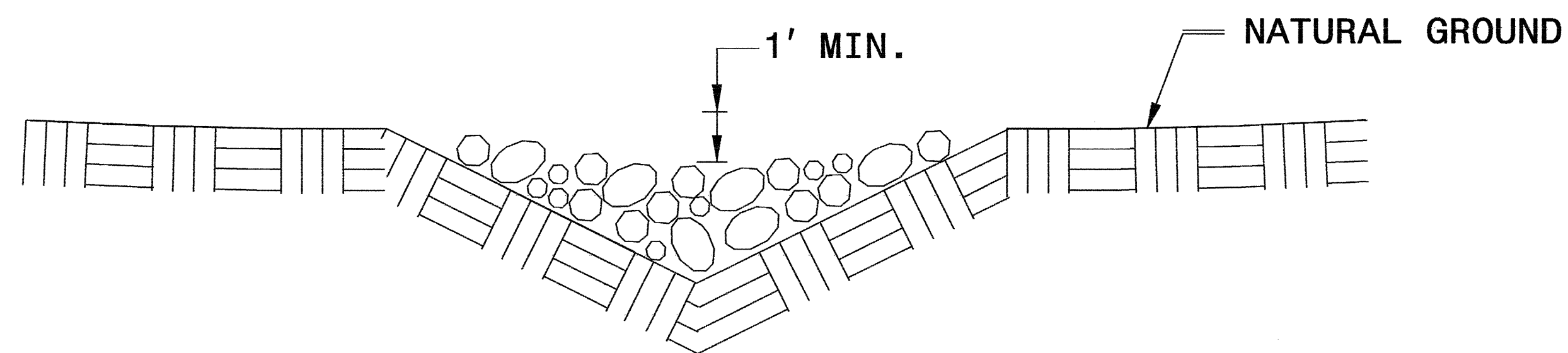


ISOMETRIC VIEW

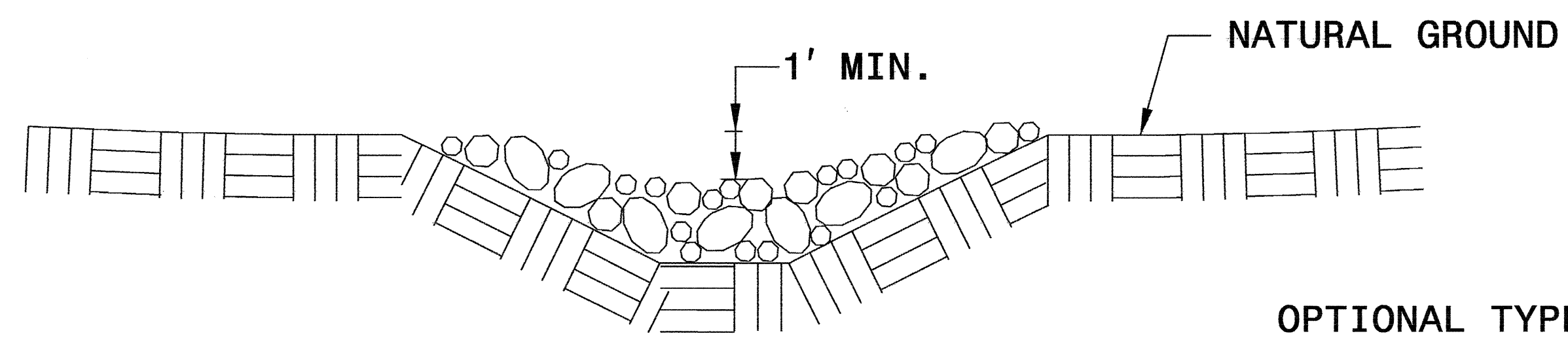
NOTES:

USE CLASS 'B' EROSION CONTROL STONE FOR STRUCTURAL STONE.

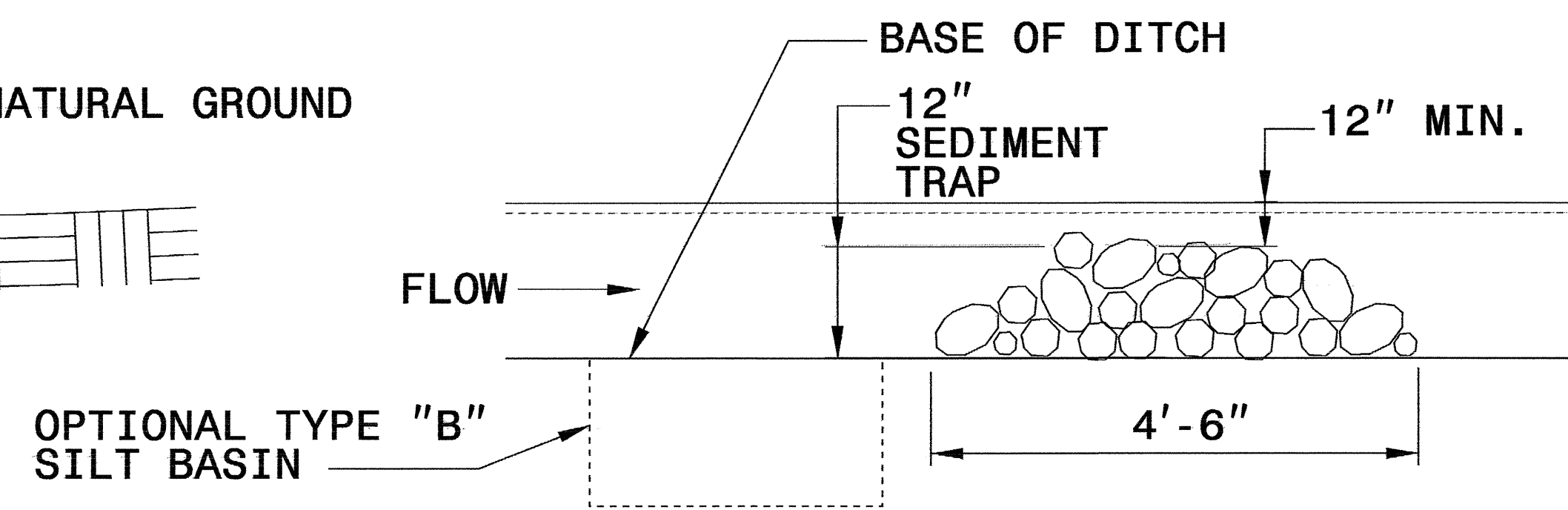
THE ENGINEER MAY DIRECT THE OPTION OF CLASS "A" STONE FOR SITES HAVING LESS THAN ONE (1) ACRE DRAINAGE AREA AND A DITCH GRADE LESS THAN 3%.



**CROSS SECTION
VEE DITCH**



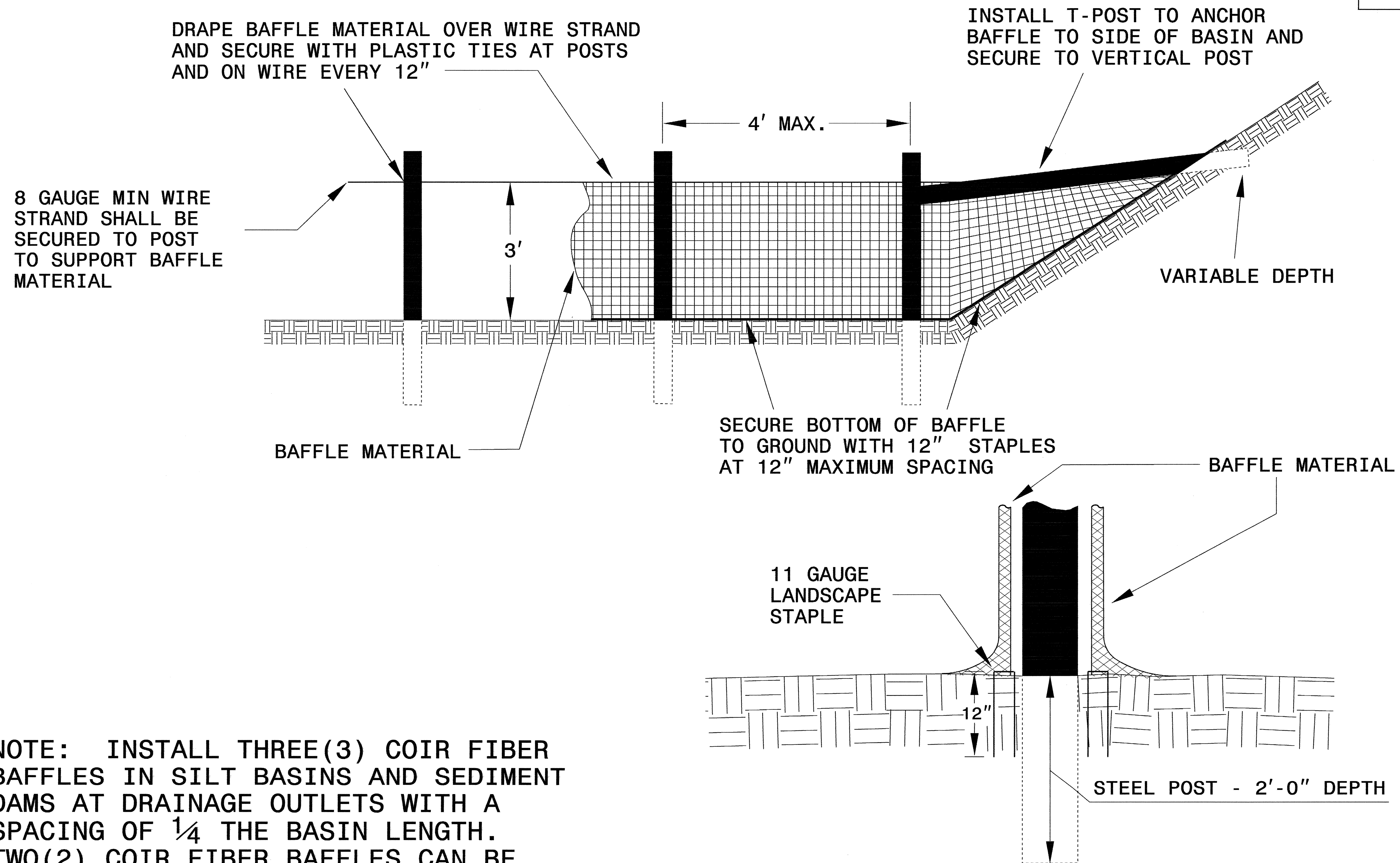
**CROSS SECTION
TRAPEZOIDAL DITCH**



ELEVATION VIEW

| | |
|---------------------------------|---------------------|
| PROJECT REFERENCE NO. B-4095 | SHEET NO. EC-2A |
| RW SHEET NO. | |
| ROADWAY DESIGN ENGINEER | HYDRAULICS ENGINEER |

COIR FIBER BAFFLE DETAIL

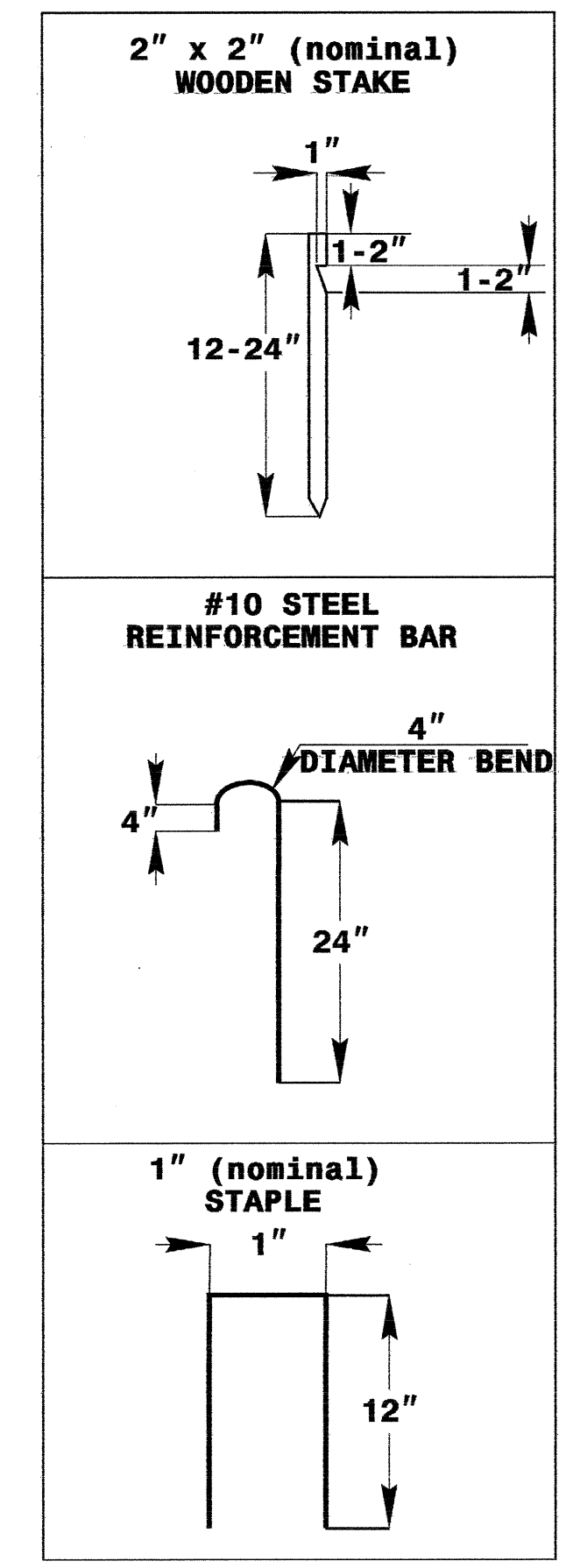
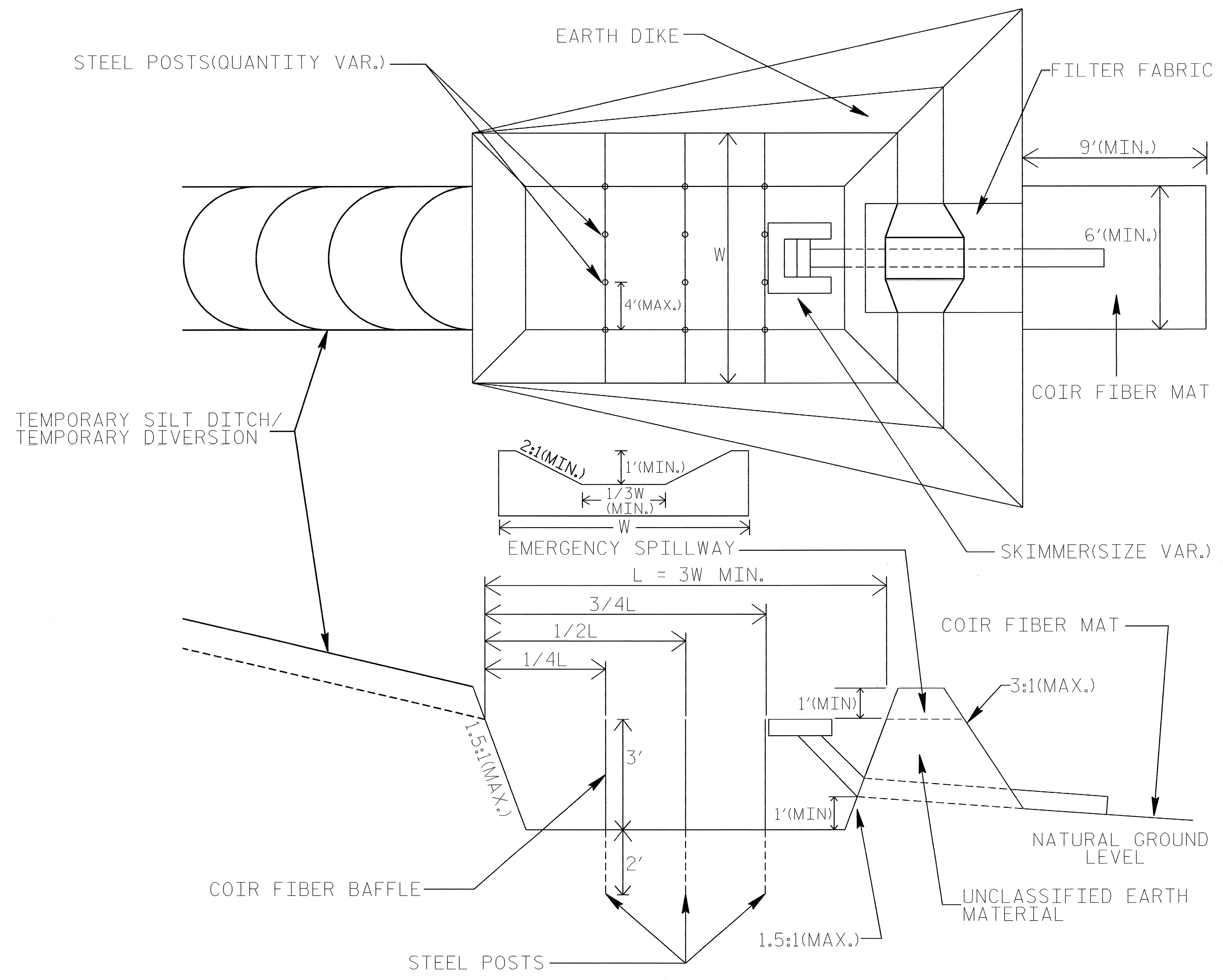


NOTE: INSTALL THREE(3) COIR FIBER BAFFLES IN SILT BASINS AND SEDIMENT DAMS AT DRAINAGE OUTLETS WITH A SPACING OF $\frac{1}{4}$ THE BASIN LENGTH. TWO(2) COIR FIBER BAFFLES CAN BE INSTALLED IN SILT BASINS AND DAMS LESS THAN 20 FT. IN LENGTH WITH A SPACING OF $\frac{1}{3}$ THE BASIN LENGTH.

BAFFLE MATERIAL SHALL BE SECURED TO THE BOTTOM AND SIDES OF BASIN USING 12" LANDSCAPE STAPLES

SKIMMER BASIN WITH BAFFLES DETAIL

| | |
|---------------------------------|---------------------|
| PROJECT REFERENCE NO. B-4095 | SHEET NO. EC-2B |
| RW SHEET NO. | |
| ROADWAY DESIGN ENGINEER | HYDRAULICS ENGINEER |

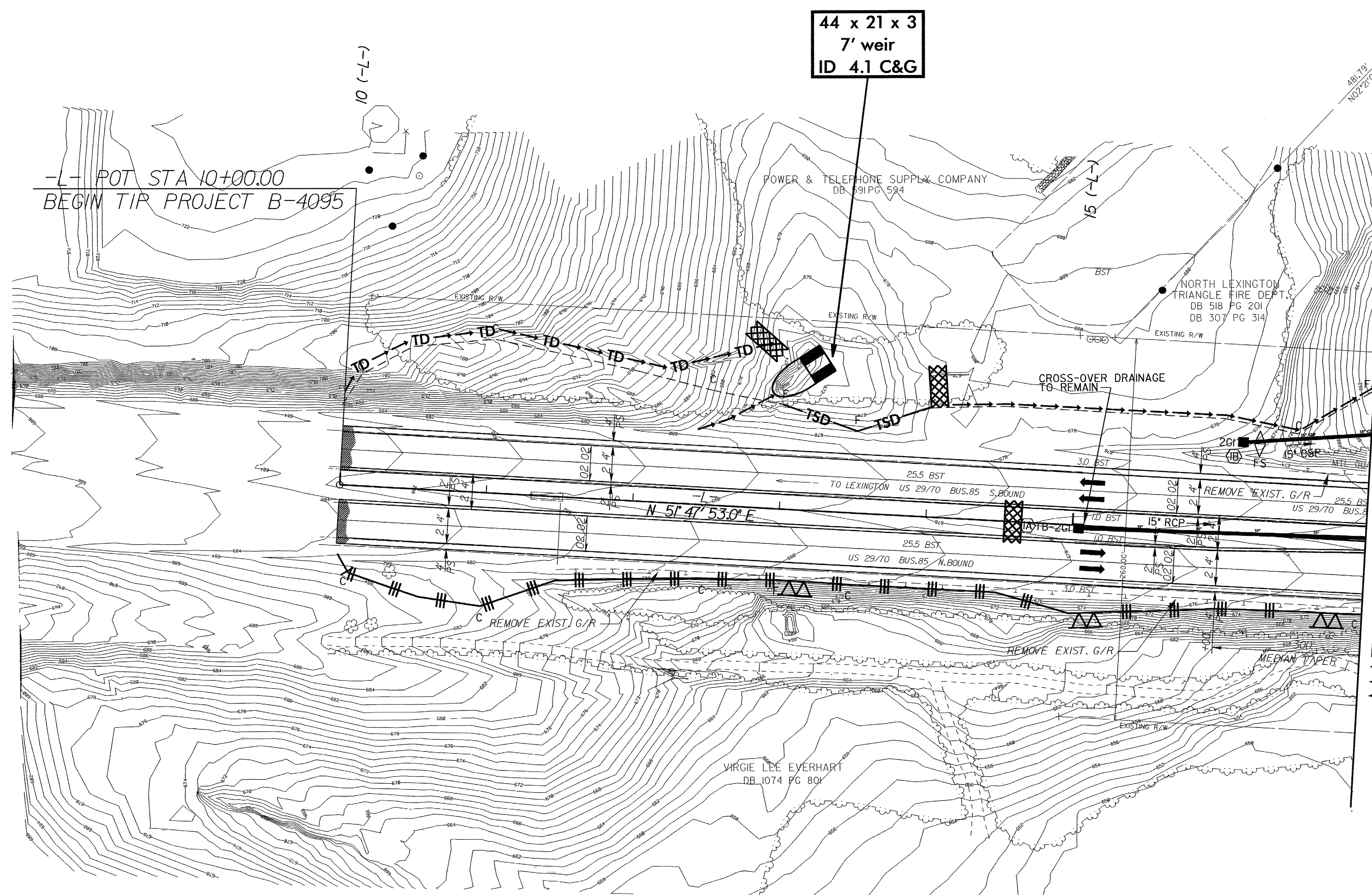


COIR FIBER MAT ANCHOR OPTIONS

CLEARING AND GRUBBING
EROSION CONTROL FOR
CONSTRUCTION SHEET 4

| | |
|---------------------------------|---------------------------|
| PROJECT REFERENCE NO. B-4095 | SHEET NO. EC-4/CONST.4 |
| RW SHEET NO. | |
| ROADWAY DESIGN ENGINEER | HYDRAULICS ENGINEER |

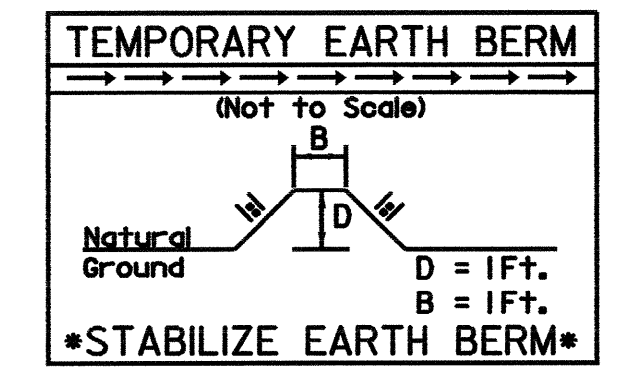
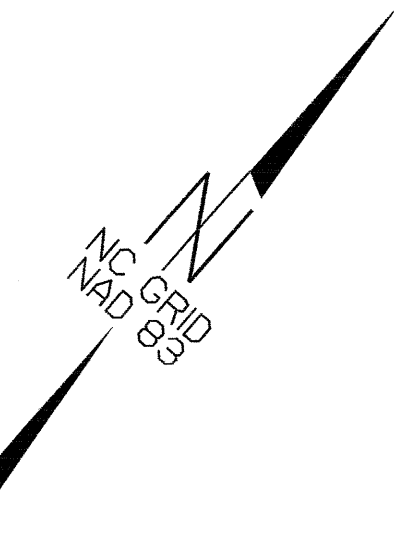
NOTE:
PLACE TEMPORARY ROCK SEDIMENT DAMS TYPE - B
AND TEMPORARY ROCK SILT CHECKS TYPE - A AT
DRAINAGE OUTLETS.



-L- POT STA 10+00.00
BEGIN TIP PROJECT B-4095

44 x 21 x 3
7' weir
ID 4.1 C&G

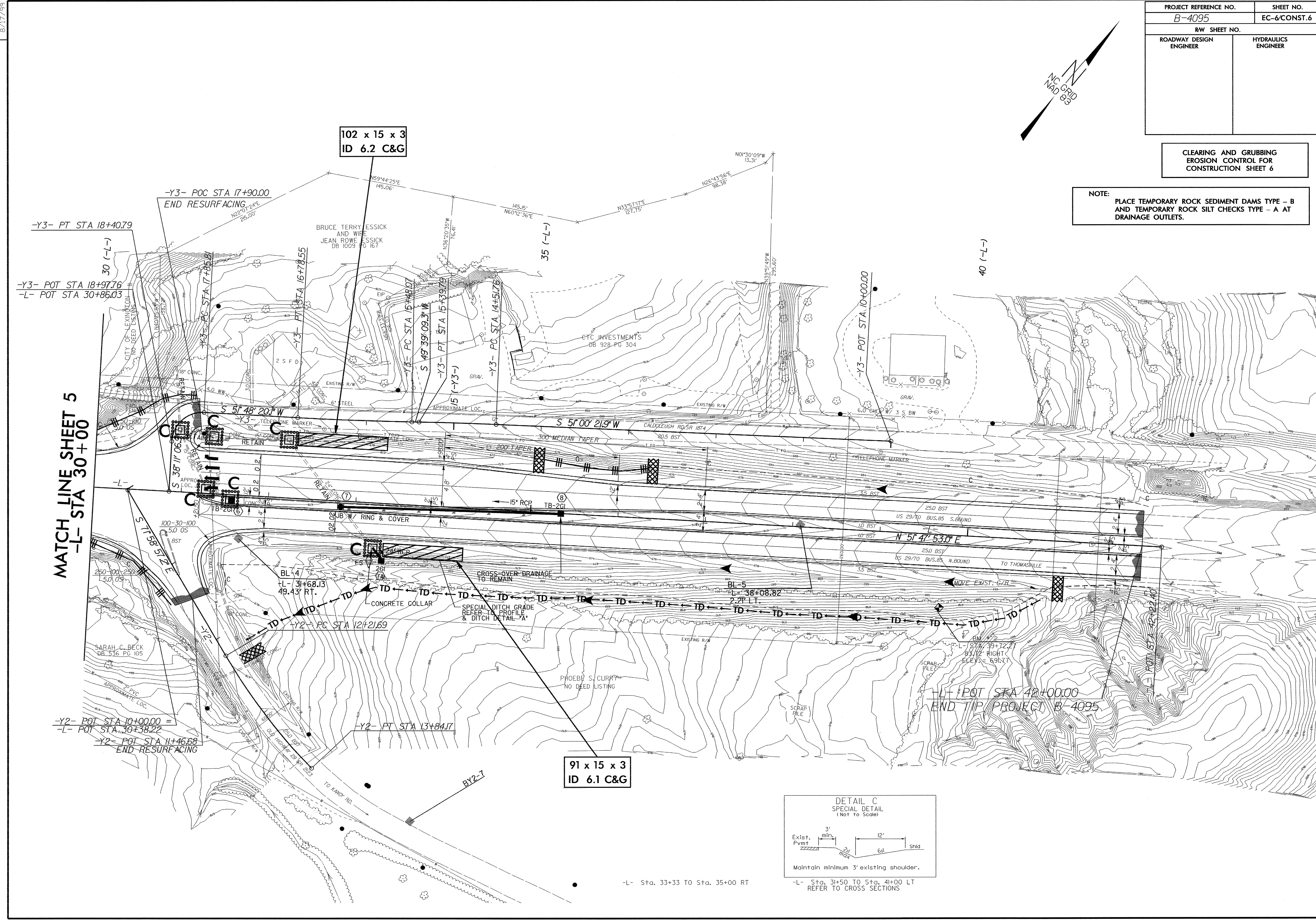
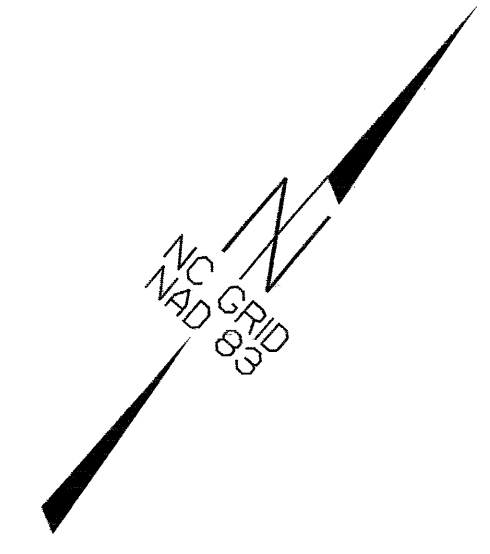
MATCH LINE SHEET 5
-L- STA 17+00



| | |
|---------------------------------|---------------------------|
| PROJECT REFERENCE NO. B-4095 | SHEET NO. EC-4/CONST.6 |
| RW SHEET NO. | |
| ROADWAY DESIGN ENGINEER | HYDRAULICS ENGINEER |

CLEARING AND GRUBBING
EROSION CONTROL FOR
CONSTRUCTION SHEET 6

NOTE:
PLACE TEMPORARY ROCK SEDIMENT DAMS TYPE - B
AND TEMPORARY ROCK SILT CHECKS TYPE - A AT
DRAINAGE OUTLETS.



MATCH LINE SHEET 5
-L- STA 30+00

-Y2- POT STA 10+00.00 =
-L- POT STA 30+38.22
-Y2- POT STA 11+46.68
END RESURFACING

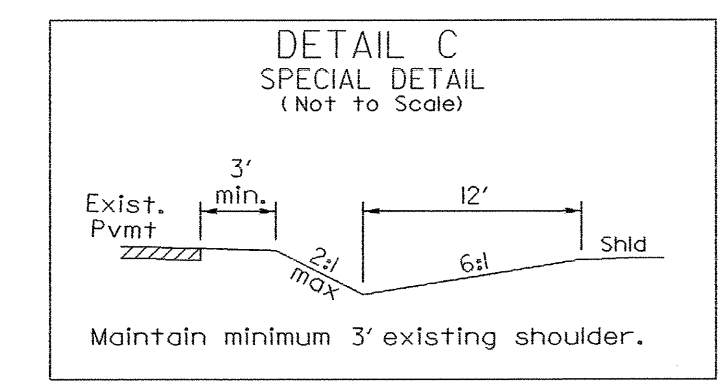
-Y3- POC STA 17+90.00
END RESURFACING

-Y3- POT STA 18+97.76
-L- POT STA 30+86.03

-L- POT STA 42+00.00
END TIP PROJECT B-4095

91 x 15 x 3
ID 6.1 C&G

102 x 15 x 3
ID 6.2 C&G



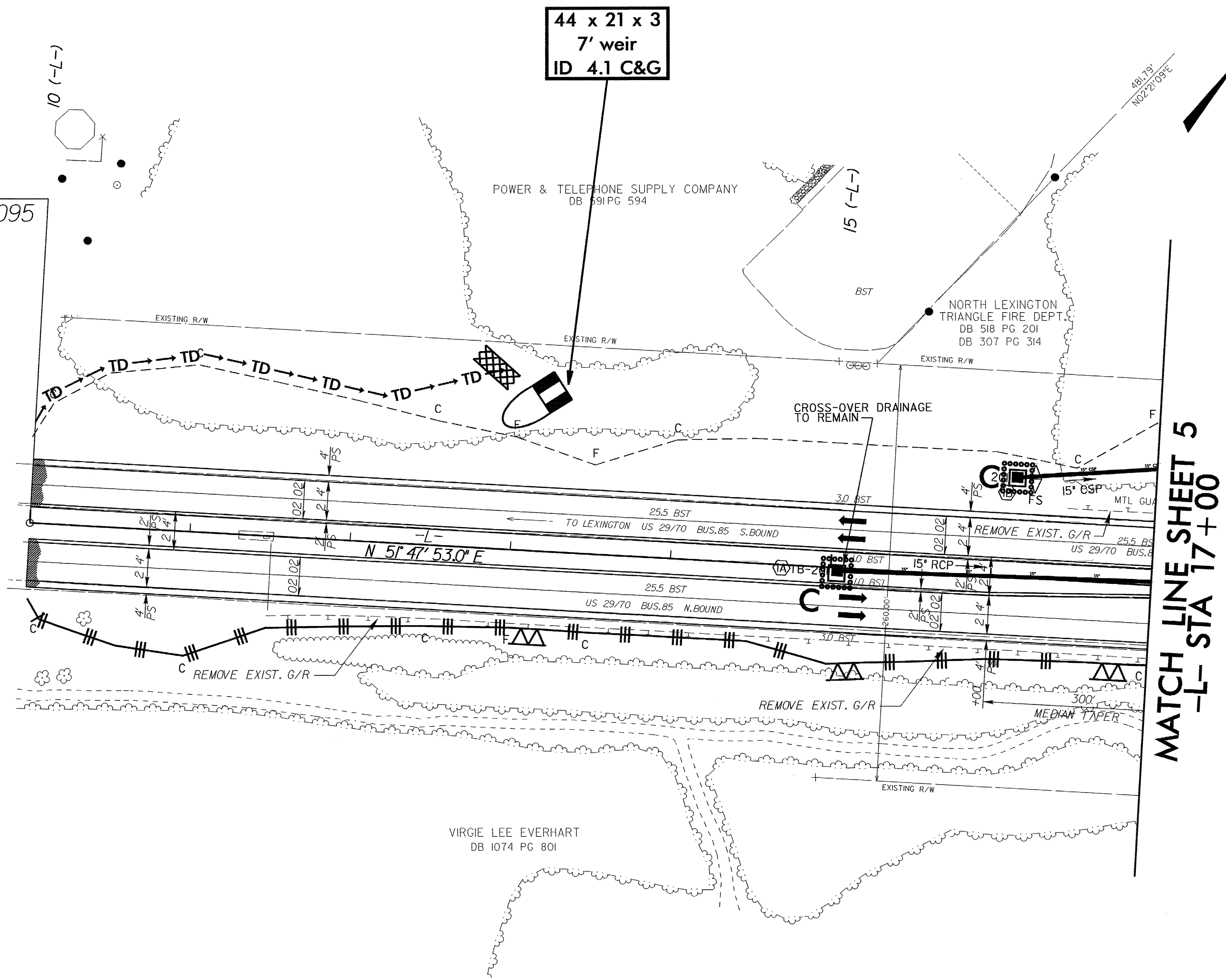
-L- Sta. 33+33 TO Sta. 35+00 RT

-L- Sta. 31+50 TO Sta. 41+00 LT
REFER TO CROSS SECTIONS

8/17/99

| | |
|---------------------------------|---------------------------|
| PROJECT REFERENCE NO. B-4095 | SHEET NO. EC-7/CONST.4 |
| RW SHEET NO. | |
| ROADWAY DESIGN ENGINEER | HYDRAULICS ENGINEER |

-L- POT STA 10+00.00
BEGIN TIP PROJECT B-4095



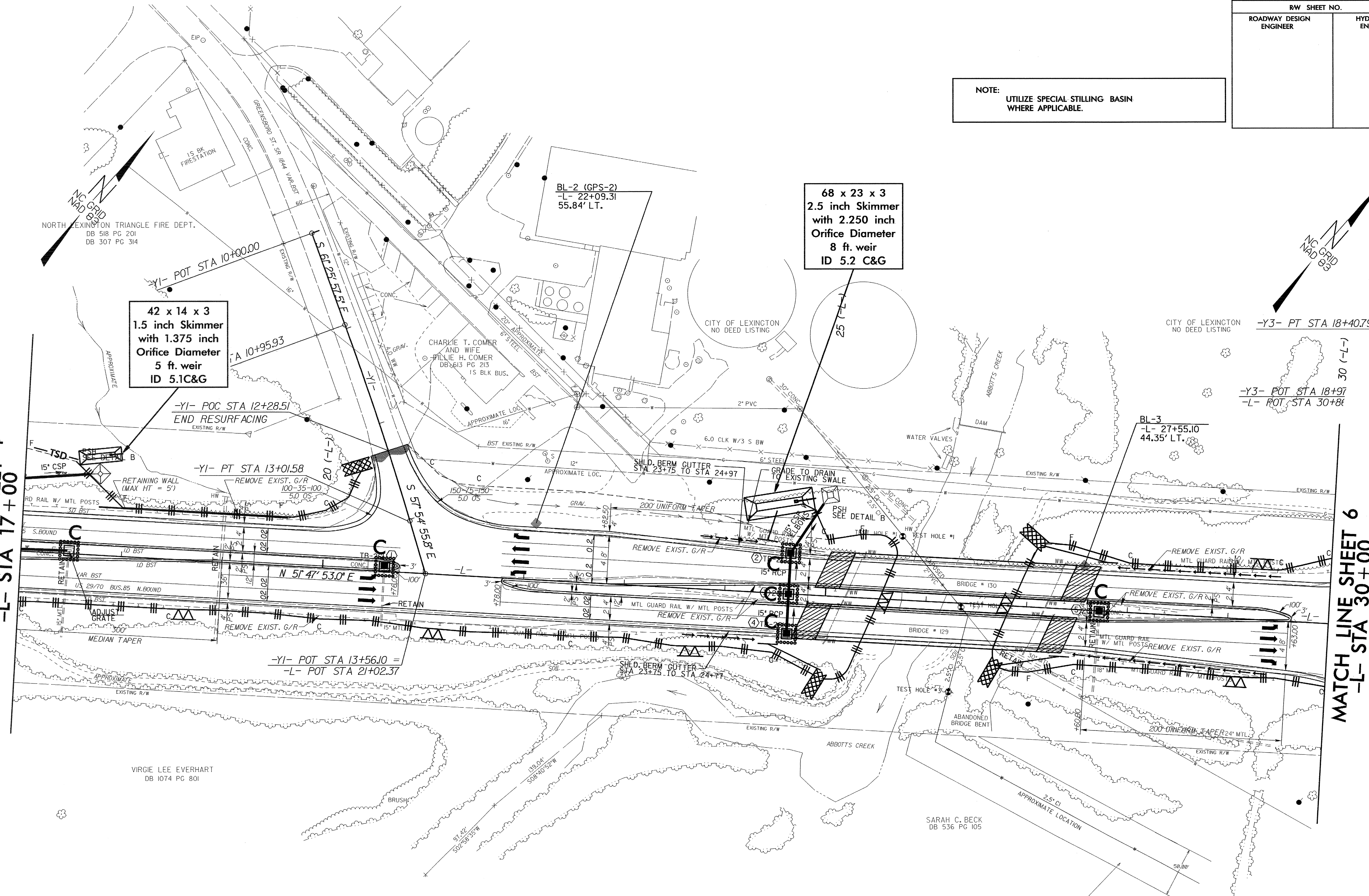
MATCH LINE SHEET 5
-L- STA 17+00

| | | | |
|-------------------------|--|---------------------|--|
| PROJECT REFERENCE NO. | | SHEET NO. | |
| B-4095 | | EC-8/CONST.5 | |
| RW SHEET NO. | | | |
| ROADWAY DESIGN ENGINEER | | HYDRAULICS ENGINEER | |

NOTE: UTILIZE SPECIAL STILLING BASIN WHERE APPLICABLE.

MATCH LINE SHEET 4
-L- STA 17+00

MATCH LINE SHEET 6
-L- STA 30+00



NORTH LEXINGTON TRIANGLE FIRE DEPT.
DB 518 PG 201
DB 307 PG 314

42 x 14 x 3
1.5 inch Skimmer
with 1.375 inch
Orifice Diameter
5 ft. weir
ID 5.1 C&G

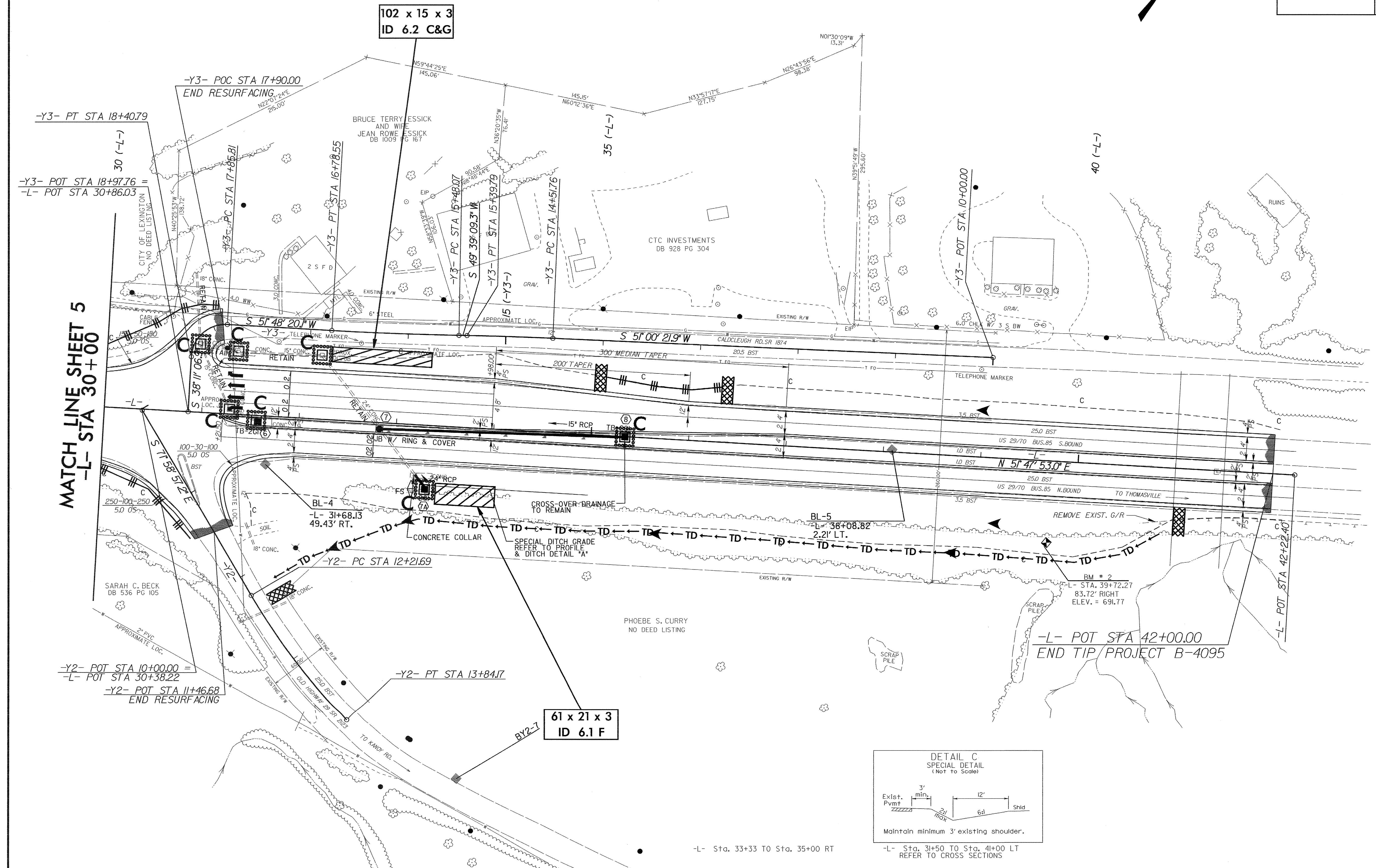
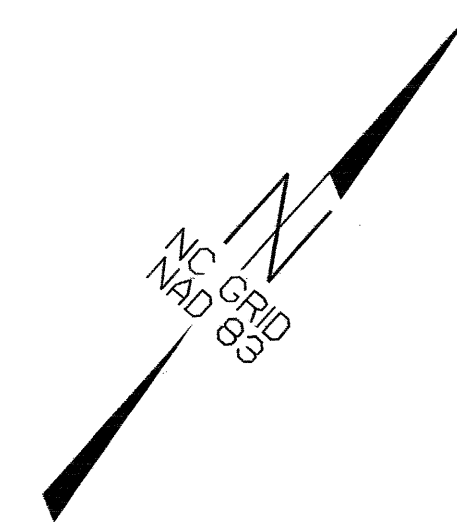
BL-2 (GPS-2)
-L- 22+09.31
55.84' LT.

68 x 23 x 3
2.5 inch Skimmer
with 2.250 inch
Orifice Diameter
8 ft. weir
ID 5.2 C&G

BL-3
-L- 27+55.10
44.35' LT.

APPROXIMATE LOCATION OF 50' WATERLINE
EASEMENT IS PER DEED BOOK 450 PAGE 571.
EASEMENT DOES NOT SPECIFY IF WATERLINE
IS IN THE CENTER OF EASEMENT.

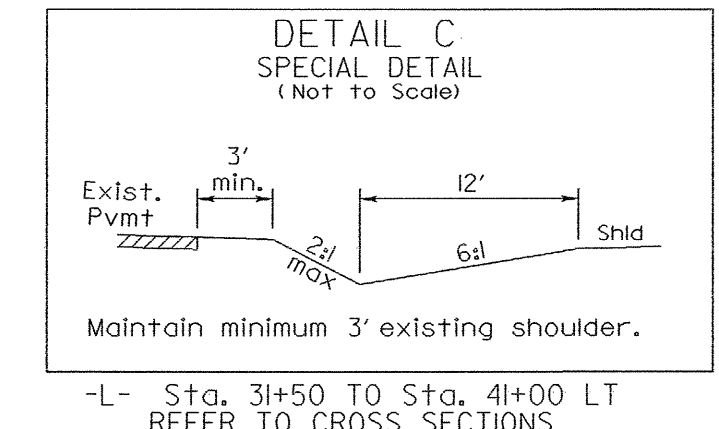
| | |
|---------------------------------|---------------------------|
| PROJECT REFERENCE NO. B-4095 | SHEET NO. EC-9/CONST.6 |
| RW SHEET NO. | |
| ROADWAY DESIGN ENGINEER | HYDRAULICS ENGINEER |



MATCH LINE SHEET 5
-L- STA 30+00

-Y2- POT STA 10+00.00 =
-L- POT STA 30+38.22
-Y2- POT STA 11+46.68
END RESURFACING

-L- POT STA 42+00.00
END TIP PROJECT B-4095



-L- Sta. 33+33 TO Sta. 35+00 RT