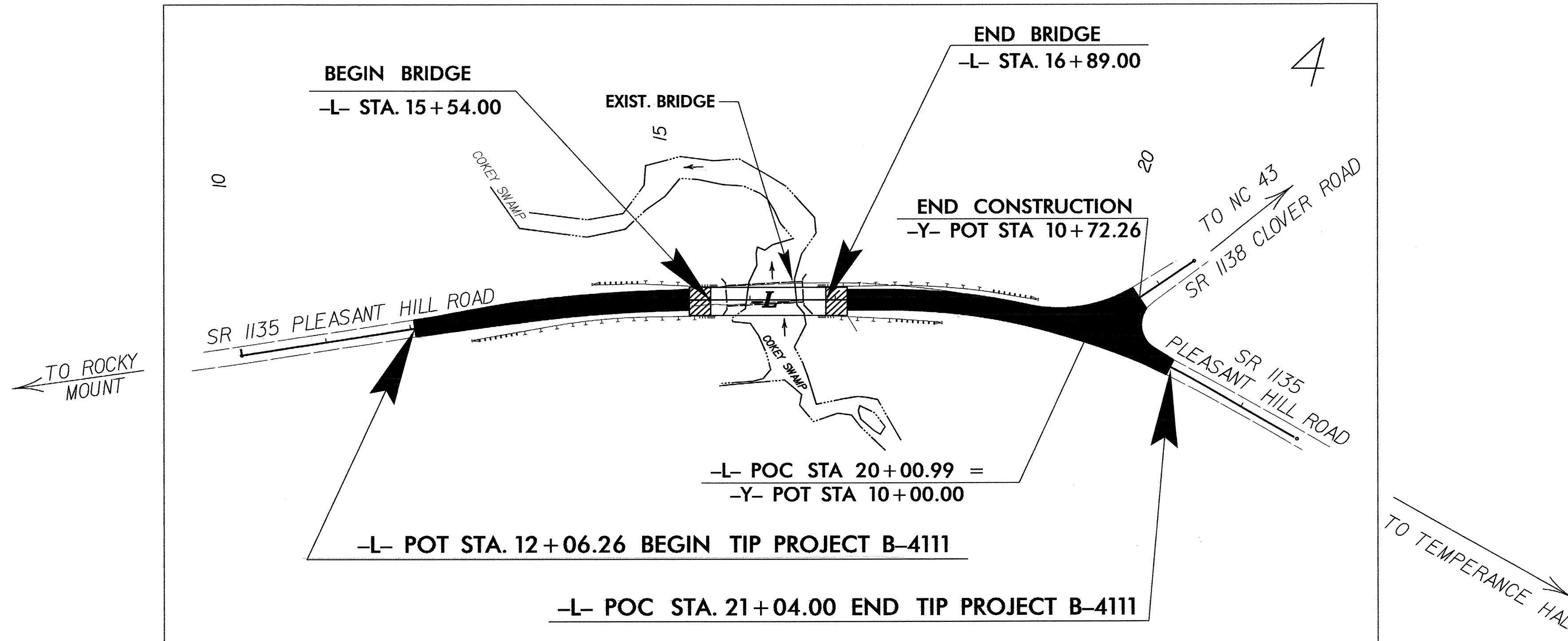


TIP PROJECT: B-4111

STATE OF NORTH CAROLINA
 DIVISION OF HIGHWAYS
 PLAN FOR PROPOSED
 HIGHWAY EROSION CONTROL
EDGEcombe COUNTY

**LOCATION: BRIDGE NO. 19 OVER COKEY SWAMP AND
 APPROACHES ON SR 1135 (PLEASANT HILL ROAD)
 TYPE OF WORK: GRADING, DRAINAGE, PAVING AND STRUCTURE**

NC GRID
 NAD 83/95



STATE	STATE PROJECT REFERENCE NO.	SHEET NO.	TOTAL SHEETS
N.C.	B-4111	EC-1	
STATE PROJ. NO.	F.A. PROJ. NO.	DESCRIPTION	

EROSION AND SEDIMENT CONTROL MEASURES

Std. #	Description	Symbol
	Streambank Reforestation.....	
1630.03	Temporary Silt Ditch.....	
1630.05	Temporary Diversion.....	
1605.01	Temporary Silt Fence.....	
1606.01	Special Sediment Control Fence.....	
1622.01	Temporary Berms and Slope Drains.....	
1630.01	Riser Basin.....	
1630.02	Silt Basin Type B.....	
1633.01	Temporary Rock Silt Check Type-A.....	
	Temporary Rock Silt Check Type-B.....	
1634.01	Temporary Rock Sediment Dam Type-A.....	
1634.02	Temporary Rock Sediment Dam Type-B.....	
1635.01	Rock Pipe Inlet Sediment Trap Type-A.....	
1635.02	Rock Pipe Inlet Sediment Trap Type-B.....	
1630.04	Stilling Basin.....	
	Rock Inlet Sediment Trap:	
1632.01	Type A.....	
1632.02	Type B.....	
1632.03	Type C.....	
	Skimmer Basin.....	
	Tiered Skimmer Basin.....	

**THIS PROJECT CONTAINS
 EROSION CONTROL PLANS
 FOR CLEARING AND
 GRUBBING PHASE OF
 CONSTRUCTION.**

**THIS PROJECT HAS
 BEEN DESIGNED TO
 SENSITIVE WATERSHED
 STANDARDS.**

**ENVIRONMENTALLY
 SENSITIVE AREA(S) EXIST
 ON THIS PROJECT**
*Refer To E. C. Special Provisions
 for Special Considerations.*

GRAPHIC SCALE

0

PLANS

0

PROFILE (HORIZONTAL)

0

PROFILE (VERTICAL)

ROADSIDE ENVIRONMENTAL UNIT
 DIVISION OF HIGHWAYS
 STATE OF NORTH CAROLINA

Prepared in the Office of:
ROADSIDE ENVIRONMENTAL UNIT
 1 South Wilmington St.
 Raleigh, NC 27611
2006 STANDARD SPECIFICATIONS

Roadway Standard Drawings

The following roadway english standards as appear in "Roadway Standard Drawings"- Roadway Design Unit - N. C. Department of Transportation - Raleigh, N. C., dated July 18, 2006 and the latest revision thereto are applicable to this project and by reference hereby are considered a part of these plans.

1605.01 Temporary Silt Fence	1632.03 Rock Inlet Sediment Trap Type C
1607.01 Gravel Construction Entrance	1633.01 Temporary Rock Silt Check Type A
1622.01 Temporary Berms and Slope Drains	1634.02 Temporary Rock Sediment Dam Type B
1630.05 Temporary Diversion	

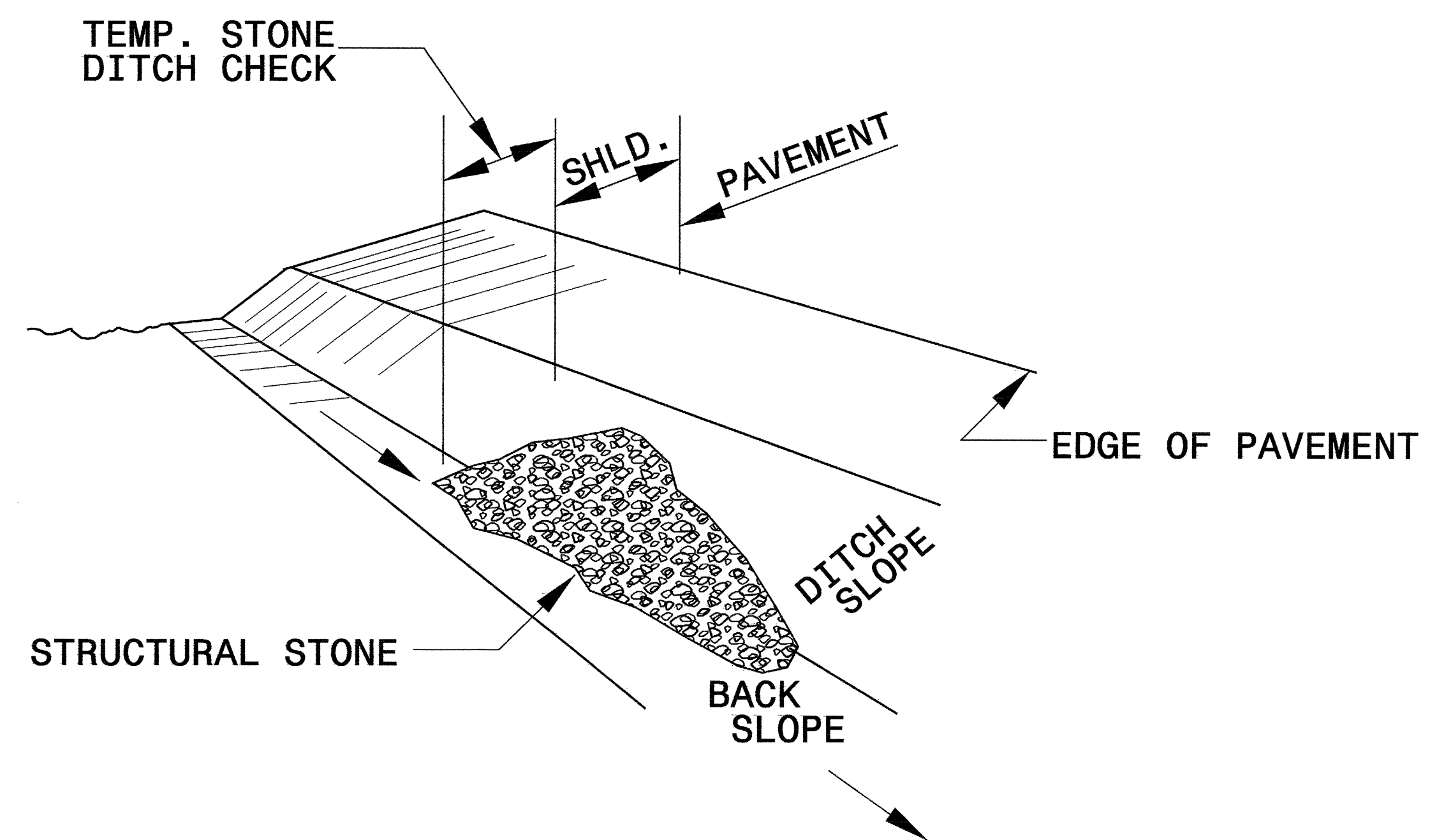
Roadway Standard Drawings

The following roadway english standards as appear in "Roadway Standard Drawings"- Roadway Design Unit - N. C. Department of Transportation - Raleigh, N. C., dated July 18, 2006 and the latest revision thereto are applicable to this project and by reference hereby are considered a part of these plans.

1605.01 Temporary Silt Fence	1632.03 Rock Inlet Sediment Trap Type C
1607.01 Gravel Construction Entrance	1633.01 Temporary Rock Silt Check Type A
1622.01 Temporary Berms and Slope Drains	1634.02 Temporary Rock Sediment Dam Type B
1630.05 Temporary Diversion	

PROJECT REFERENCE NO.	SHEET NO.
B-4111	EC-2
R/W SHEET NO.	
ROADWAY DESIGN ENGINEER	HYDRAULICS ENGINEER

TEMPORARY ROCK SILT CHECK TYPE 'B' DETAIL

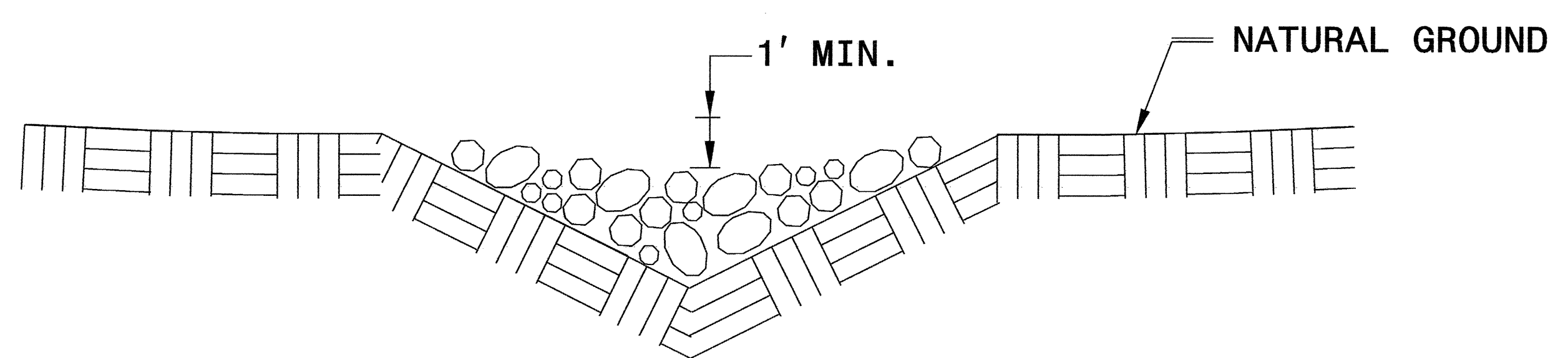


ISOMETRIC VIEW

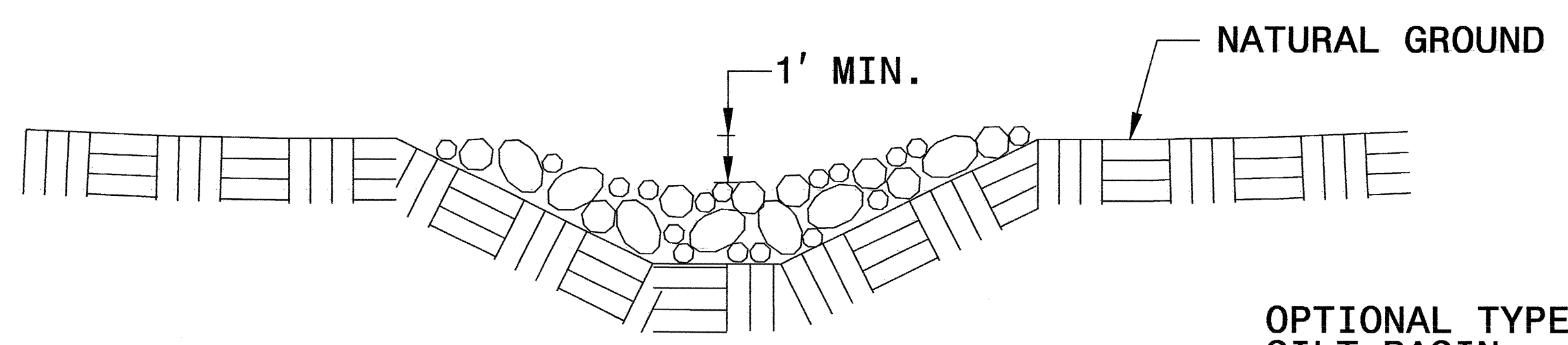
NOTES:

USE CLASS 'B' EROSION CONTROL STONE FOR STRUCTURAL STONE.

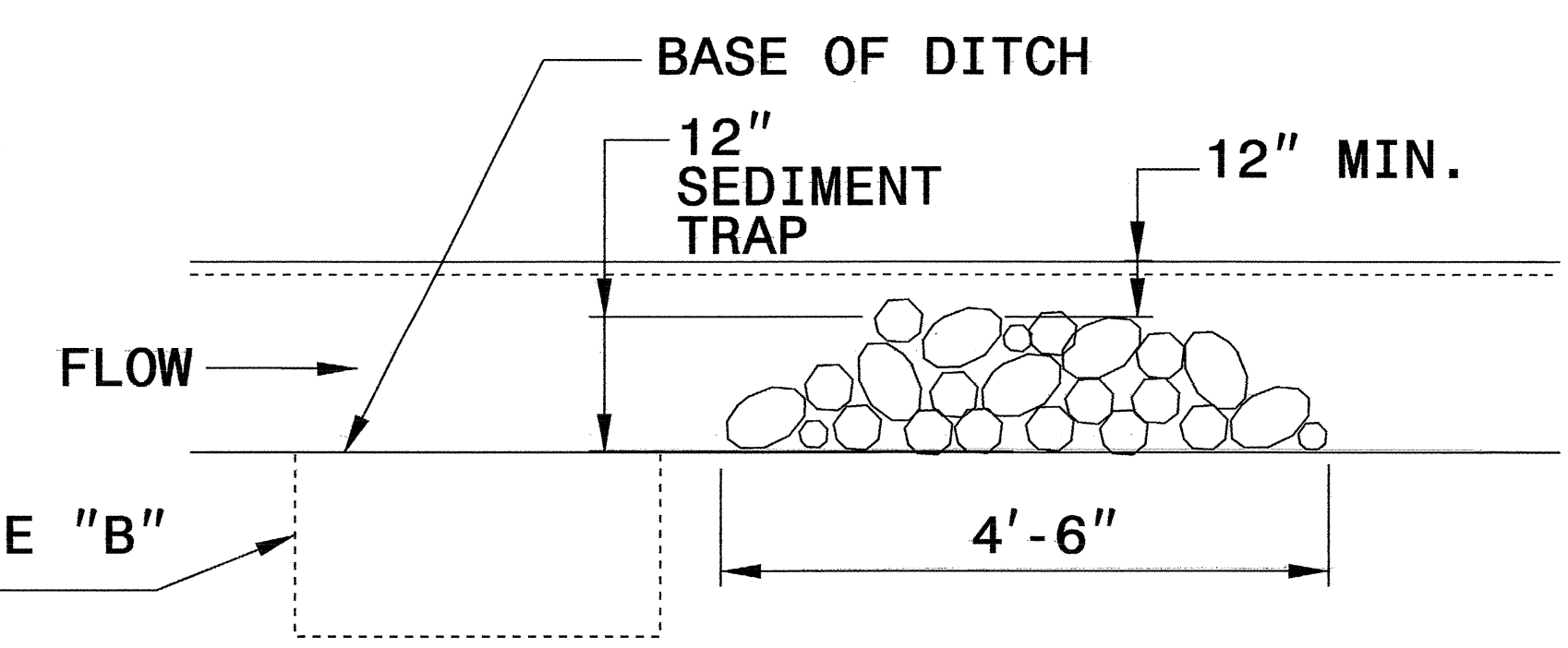
THE ENGINEER MAY DIRECT THE OPTION OF CLASS "A" STONE FOR SITES HAVING LESS THAN ONE (1) ACRE DRAINAGE AREA AND A DITCH GRADE LESS THAN 3%.



CROSS SECTION VEE DITCH



CROSS SECTION TRAPEZOIDAL DITCH

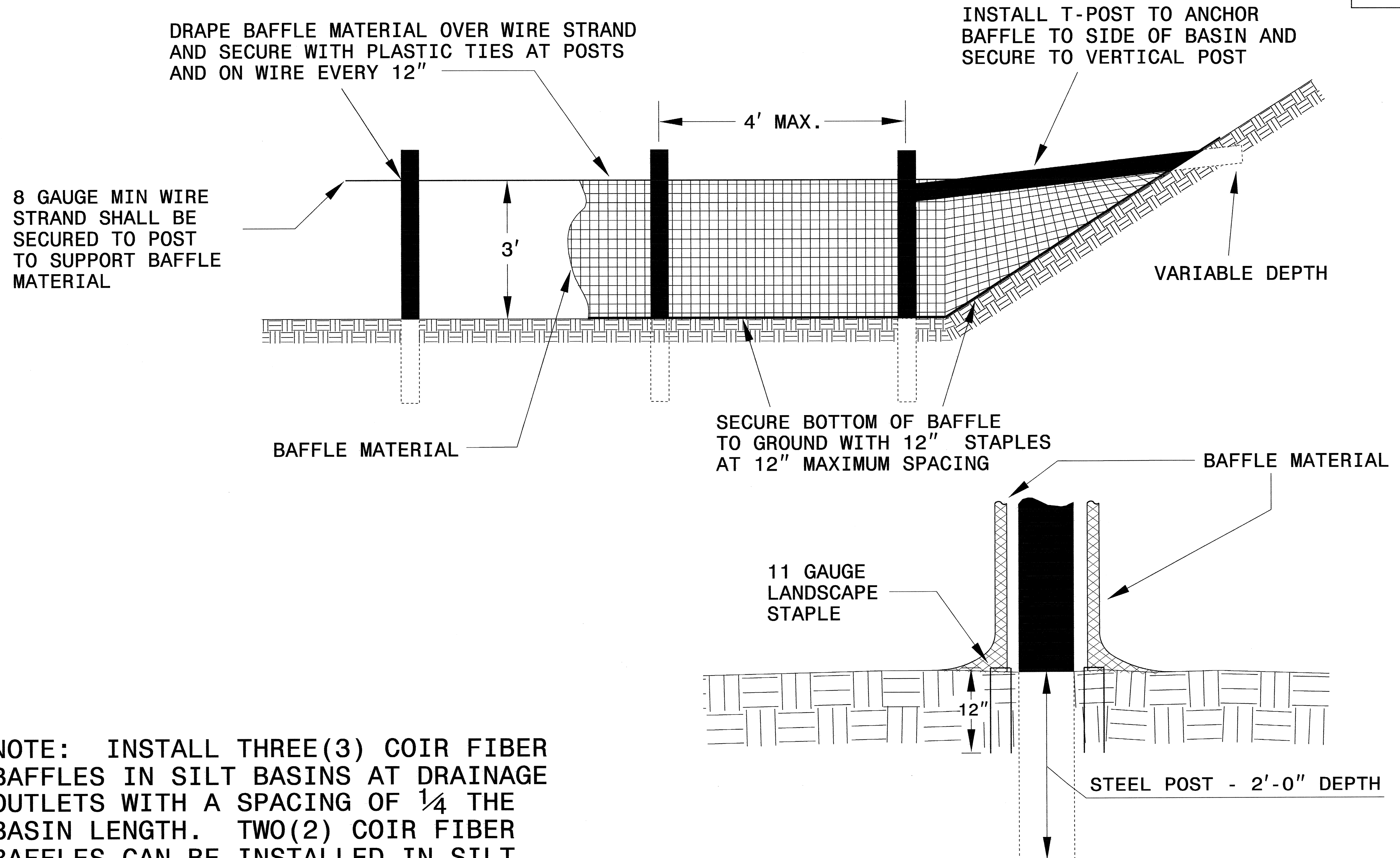


ELEVATION VIEW

OPTIONAL TYPE "B" SILT BASIN

PROJECT REFERENCE NO. B-4111	SHEET NO. EC-2A
RW SHEET NO.	
ROADWAY DESIGN ENGINEER	HYDRAULICS ENGINEER

COIR FIBER BAFFLE DETAIL

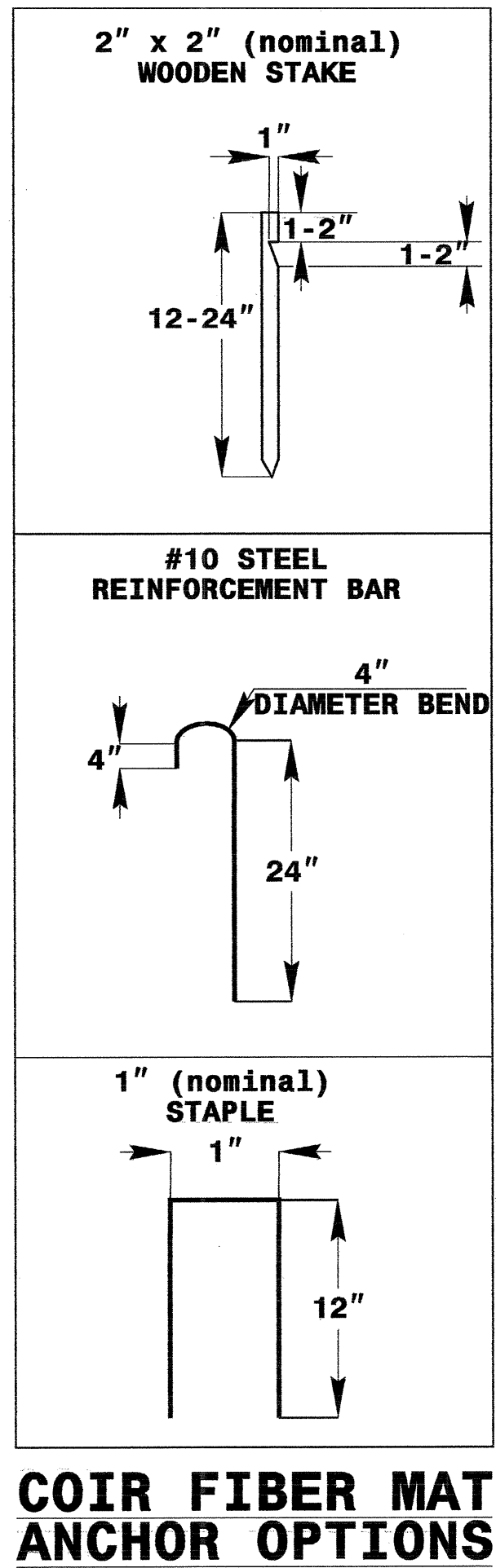
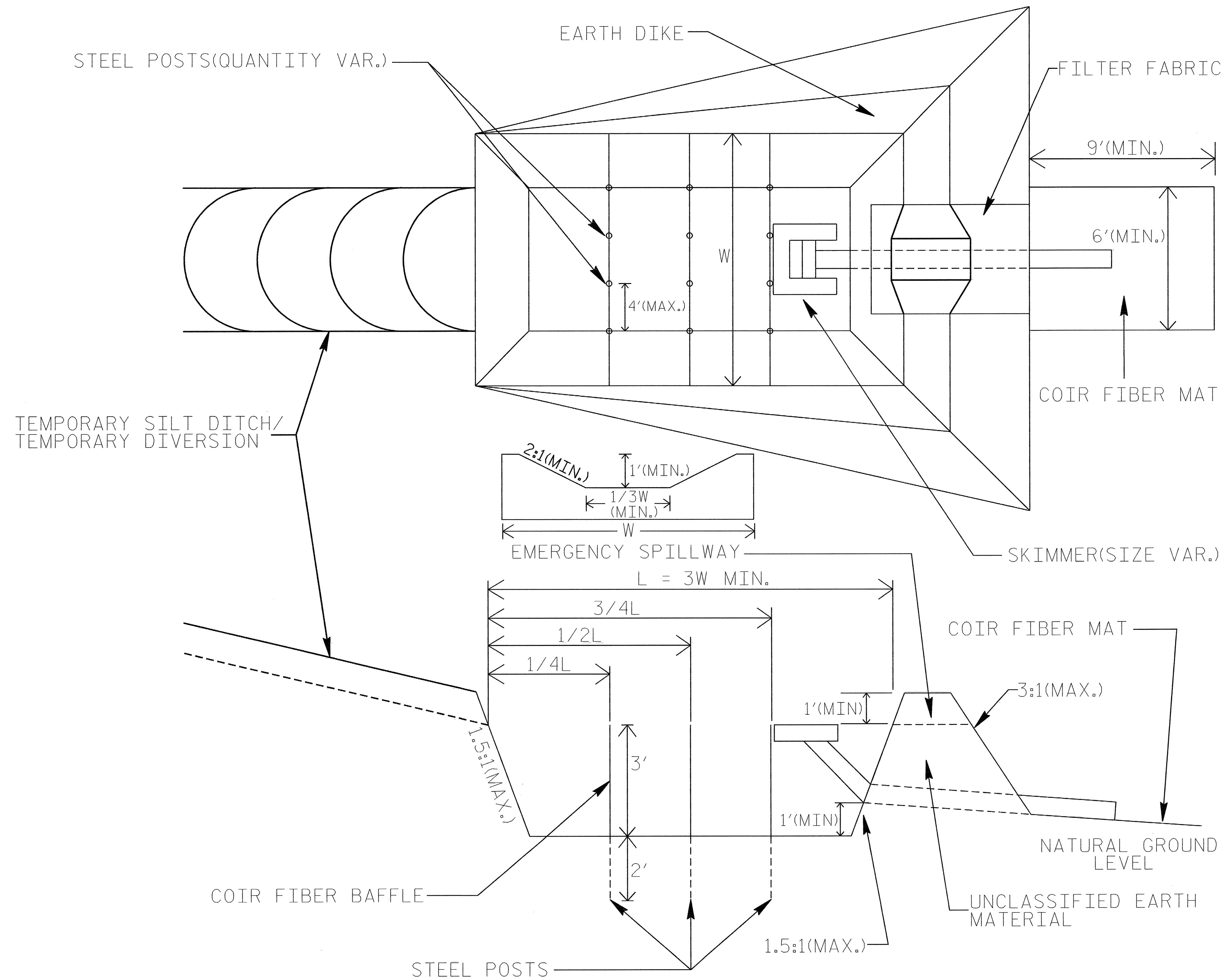


NOTE: INSTALL THREE (3) COIR FIBER BAFFLES IN SILT BASINS AT DRAINAGE OUTLETS WITH A SPACING OF $\frac{1}{4}$ THE BASIN LENGTH. TWO (2) COIR FIBER BAFFLES CAN BE INSTALLED IN SILT BASINS LESS THAN 20 FT. IN LENGTH WITH A SPACING OF $\frac{1}{3}$ THE BASIN LENGTH.

BAFFLE MATERIAL SHALL BE SECURED TO THE BOTTOM AND SIDES OF BASIN USING 12" LANDSCAPE STAPLES

SKIMMER BASIN WITH BAFFLES DETAIL

PROJECT REFERENCE NO. B-4111	SHEET NO. EC-2B
RW SHEET NO.	
ROADWAY DESIGN ENGINEER	HYDRAULICS ENGINEER

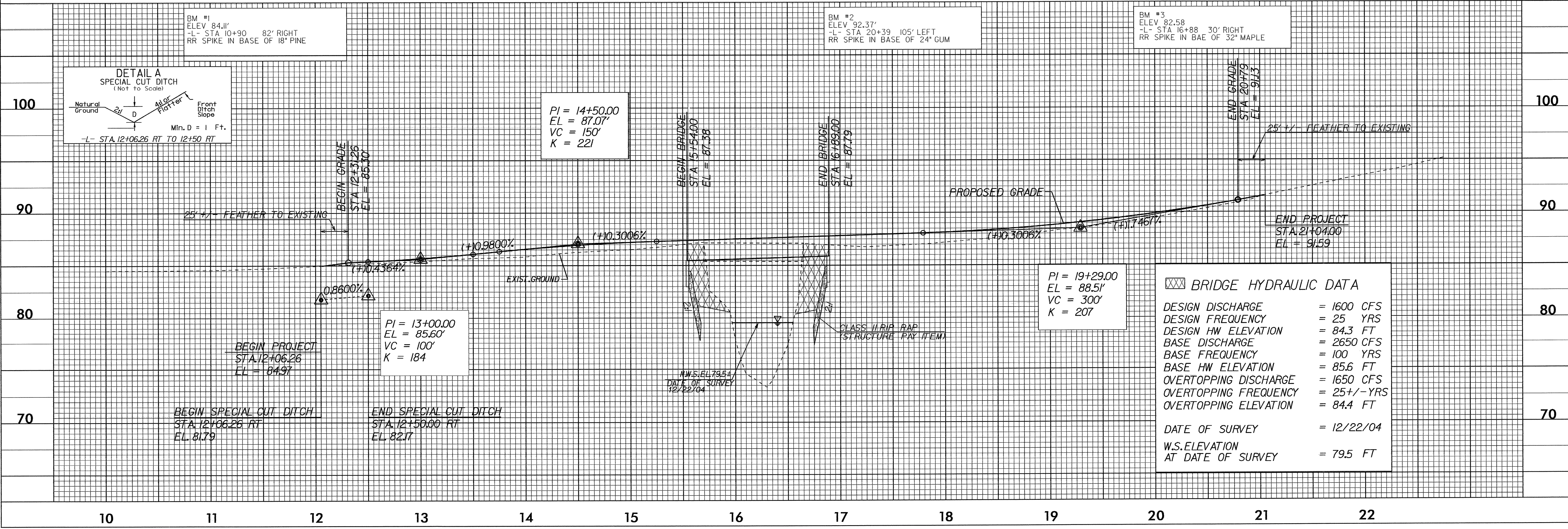
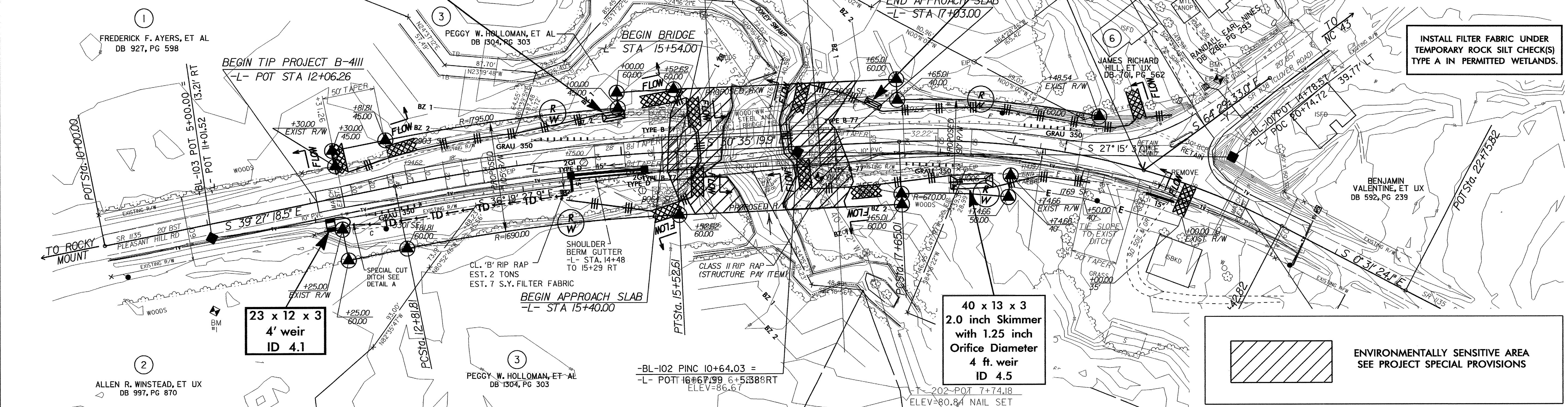


NOTE: UTILIZE TEMPORARY ROCK SILT CHECKS TYPE - A AND/OR SKIMMER BASINS AS STILLING BASIN WHERE APPLICABLE.

NOTE: PLACE TEMPORARY ROCK SEDIMENT DAMS TYPE - B AND TEMPORARY ROCK SILT CHECKS TYPE - A AT DRAINAGE OUTLETS.

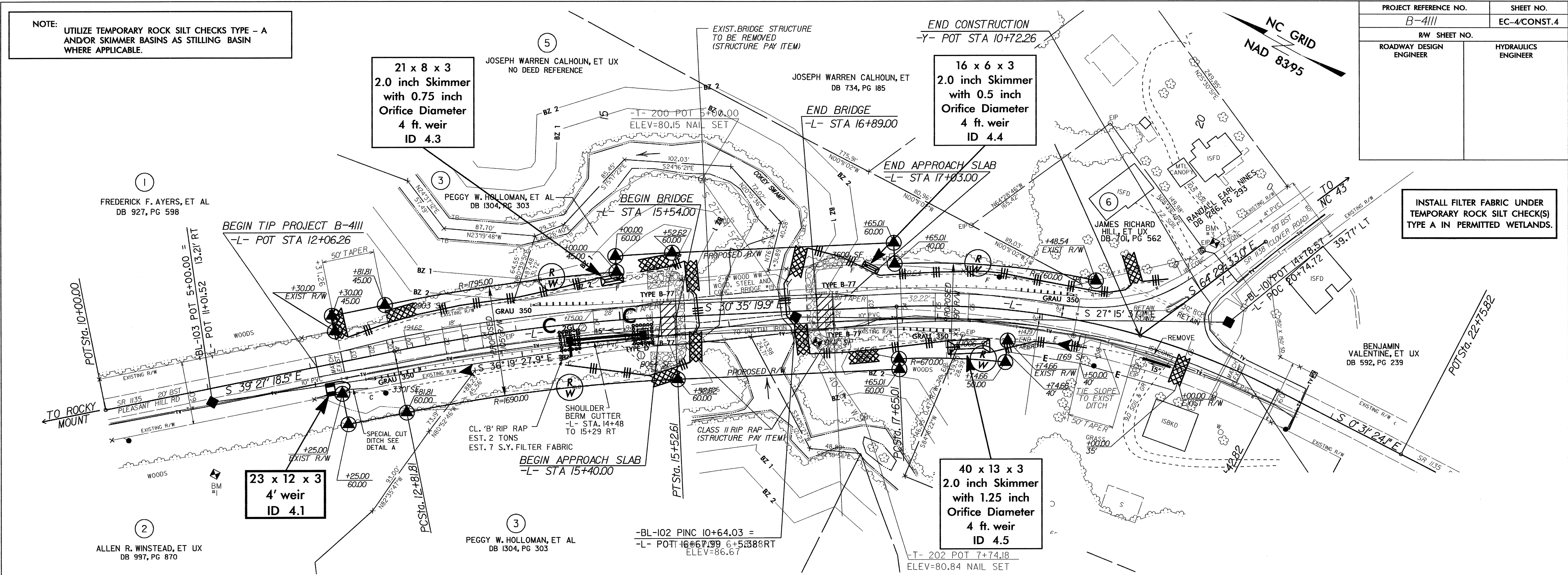
CLEARING AND GRUBBING EROSION CONTROL FOR CONSTRUCTION SHEET 4

PROJECT REFERENCE NO. B-4111	SHEET NO. EC-3/CONST.4
ROADWAY DESIGN ENGINEER	HYDRAULICS ENGINEER



NOTE: UTILIZE TEMPORARY ROCK SILT CHECKS TYPE - A AND/OR SKIMMER BASINS AS STILLING BASIN WHERE APPLICABLE.

PROJECT REFERENCE NO.	SHEET NO.
B-4111	EC-4/CONST.4
RW SHEET NO.	
ROADWAY DESIGN ENGINEER	HYDRAULICS ENGINEER



INSTALL FILTER FABRIC UNDER TEMPORARY ROCK SILT CHECK(S) TYPE A IN PERMITTED WETLANDS.

