

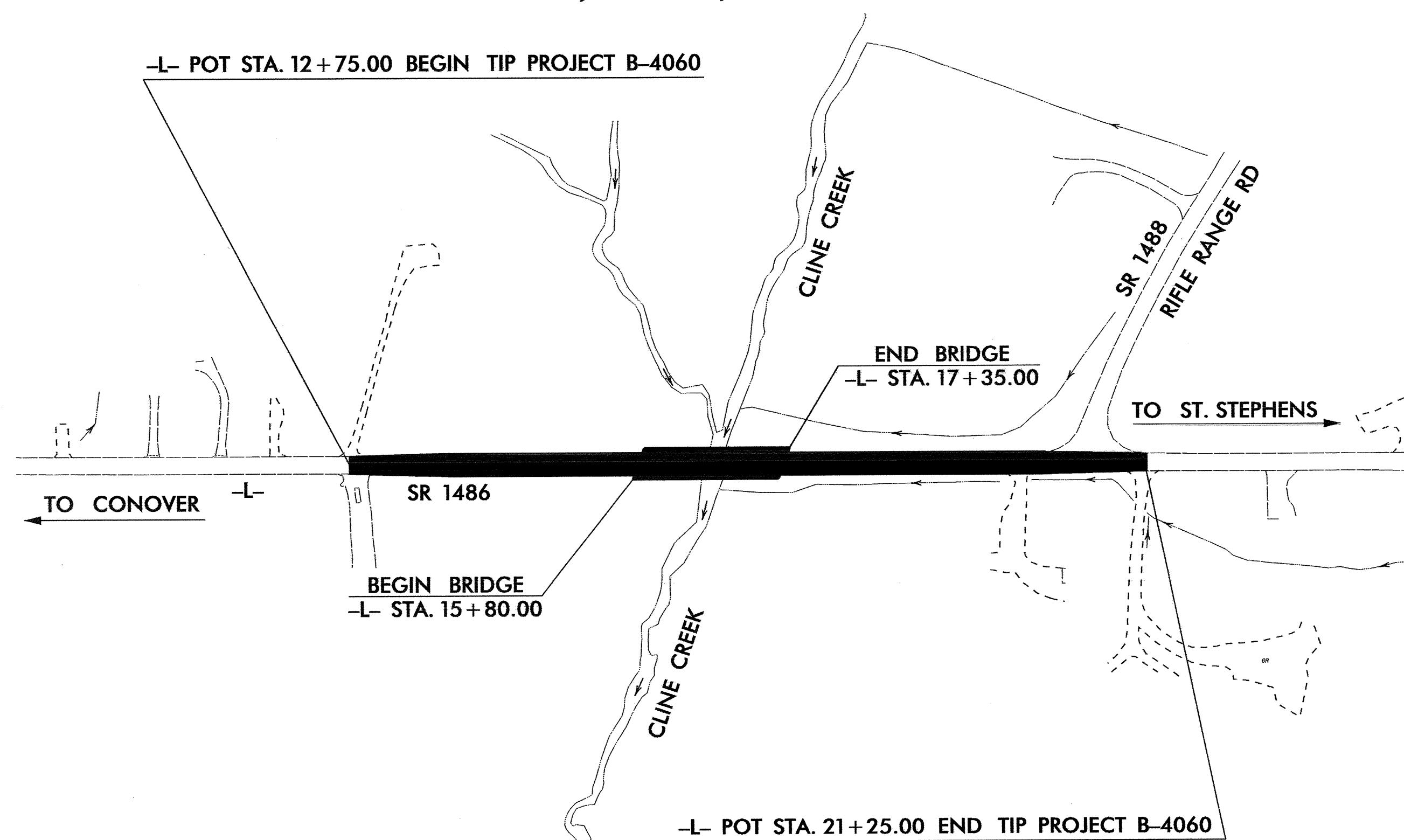
**TIP PROJECT: B-4060**

STATE OF NORTH CAROLINA  
 DIVISION OF HIGHWAYS  
 PLAN FOR PROPOSED  
 HIGHWAY EROSION CONTROL  
**CATAWBA COUNTY**

**LOCATION: BRIDGE NO. 17 OVER CLINE CREEK ON SR 1486 (LEE CLINE RD.)**

**TYPE OF WORK: GRADING, PAVING, DRAINAGE AND STRUCTURE**

NAD 83 NC GRID



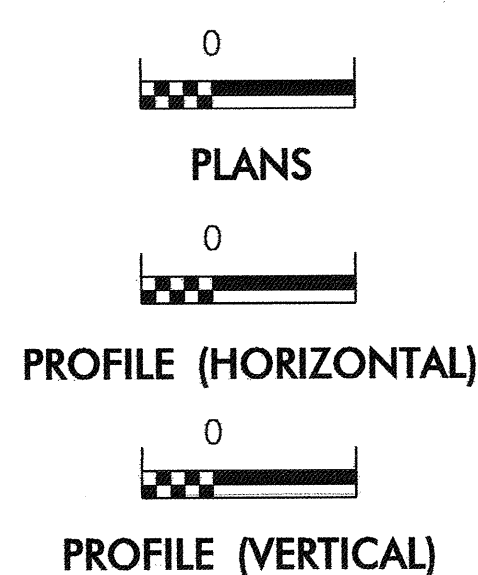
STATE	STATE PROJECT REFERENCE NO.	SHEET NO.	TOTAL SHEETS
N.C.	B-4060	EC-1	
STATE PROJ. NO.	F.A. PROJ. NO.	DESCRIPTION	

**EROSION AND SEDIMENT CONTROL MEASURES**

Std. #	Description	Symbol
	Streambank Reforestation	
1630.03	Temporary Silt Ditch	
1630.05	Temporary Diversion	
1605.01	Temporary Silt Fence	
1606.01	Special Sediment Control Fence	
1622.01	Temporary Berms and Slope Drains	
1630.01	Riser Basin	
1630.02	Silt Basin Type B	
1633.01	Temporary Rock Silt Check Type-A	
	Temporary Rock Silt Check Type-B	
1634.01	Temporary Rock Sediment Dam Type-A	
1634.02	Temporary Rock Sediment Dam Type-B	
1635.01	Rock Pipe Inlet Sediment Trap Type-A	
1635.02	Rock Pipe Inlet Sediment Trap Type-B	
1630.04	Stilling Basin	
	Rock Inlet Sediment Trap:	
1632.01	Type A	
1632.02	Type B	
1632.03	Type C	
	Skimmer Basin	
	Tiered Skimmer Basin	

THIS PROJECT CONTAINS  
 EROSION CONTROL PLANS  
 FOR CLEARING AND  
 GRUBBING PHASE OF  
 CONSTRUCTION.

**GRAPHIC SCALE**



ROADSIDE ENVIRONMENTAL UNIT  
 DIVISION OF HIGHWAYS  
 STATE OF NORTH CAROLINA

Prepared in the Office of:  
**ROADSIDE ENVIRONMENTAL UNIT**  
 1 South Wilmington St.  
 Raleigh, NC 27611  
**2006 STANDARD SPECIFICATIONS**

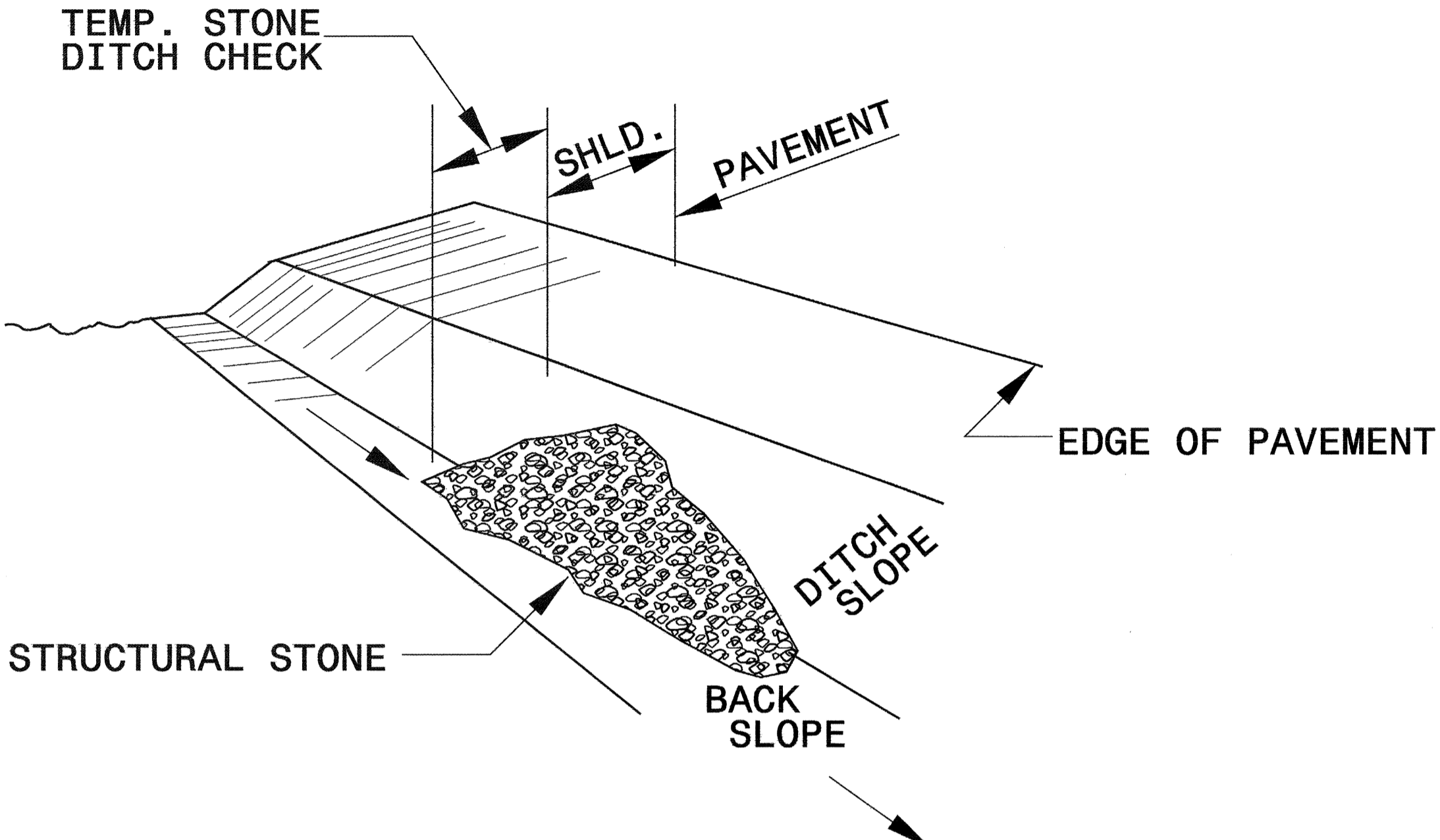
**Roadway Standard Drawings**

The following roadway english standards as appear in "Roadway Standard Drawings"- Roadway Design Unit - N. C. Department of Transportation - Raleigh, N. C., dated July 18, 2006 and the latest revision thereto are applicable to this project and by reference hereby are considered a part of these plans.

- |  |  |
|--|--|
| 1605.01 Temporary Silt Fence             | 1632.03 Rock Inlet Sediment Trap Type C    |
| 1607.01 Gravel Construction Entrance     | 1633.01 Temporary Rock Silt Check Type A   |
| 1622.01 Temporary Berms and Slope Drains | 1634.02 Temporary Rock Sediment Dam Type B |
| 1630.03 Temporary Silt Ditch             |  |
| 1630.05 Temporary Diversion              |  |

PROJECT REFERENCE NO. B-4060	SHEET NO. EC-2
RW SHEET NO.	
ROADWAY DESIGN ENGINEER	HYDRAULICS ENGINEER

# TEMPORARY ROCK SILT CHECK TYPE 'B' DETAIL

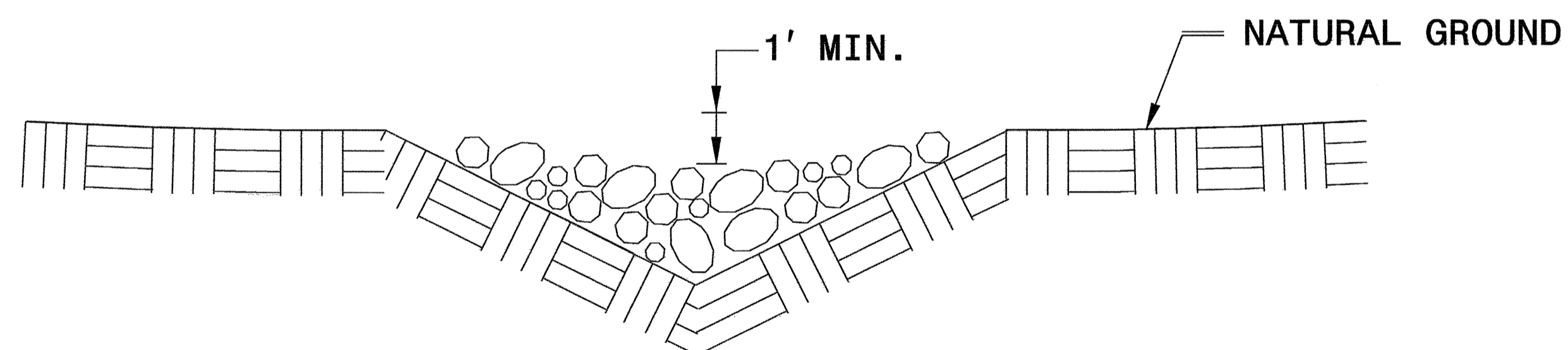


**ISOMETRIC VIEW**

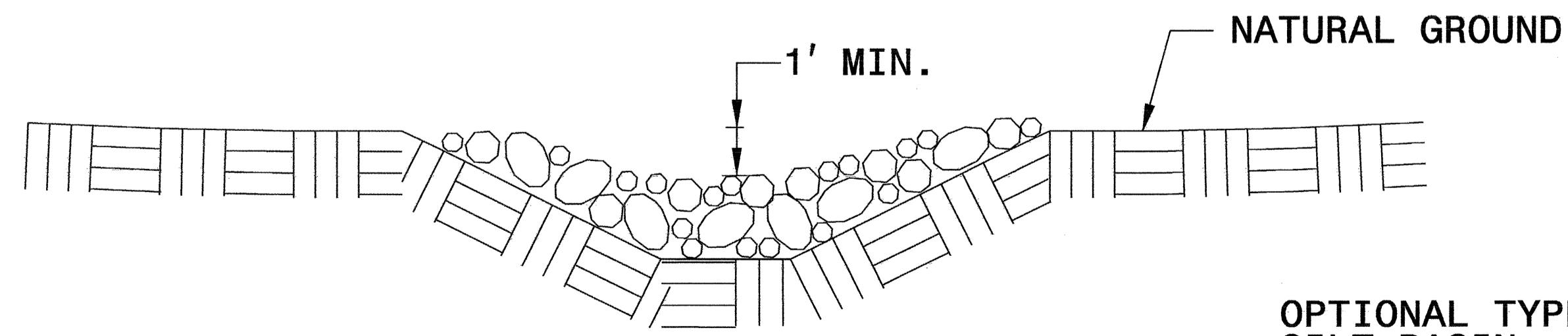
**NOTES:**

USE CLASS 'B' EROSION CONTROL STONE FOR STRUCTURAL STONE.

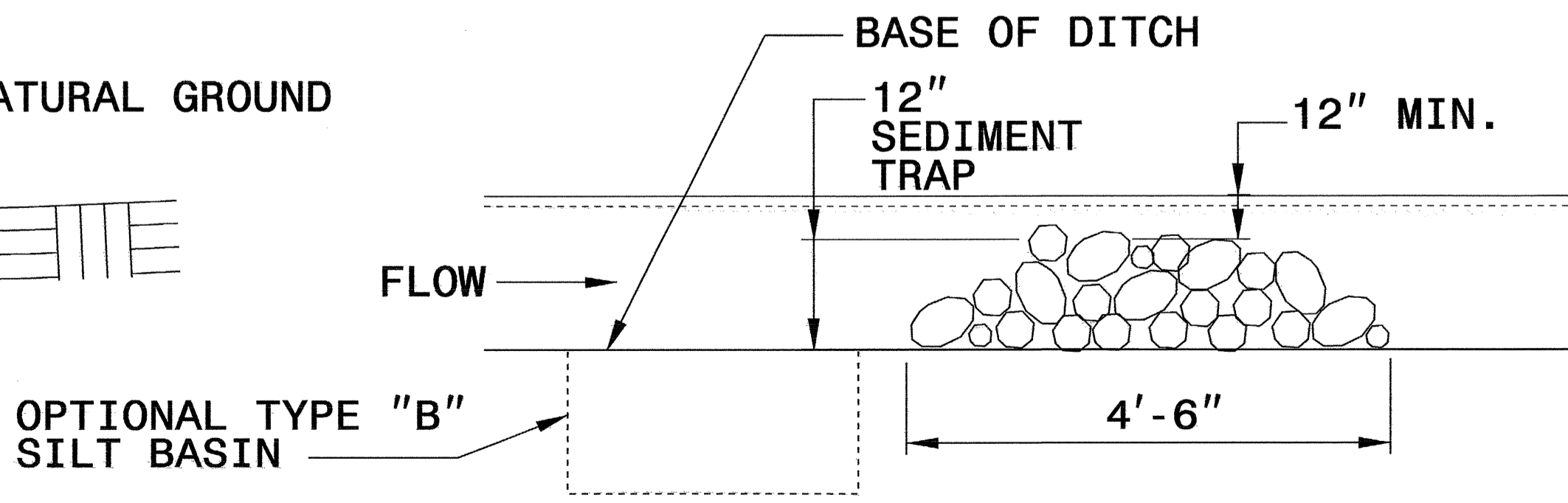
THE ENGINEER MAY DIRECT THE OPTION OF CLASS "A" STONE FOR SITES HAVING LESS THAN ONE (1) ACRE DRAINAGE AREA AND A DITCH GRADE LESS THAN 3%.



**CROSS SECTION VEE DITCH**



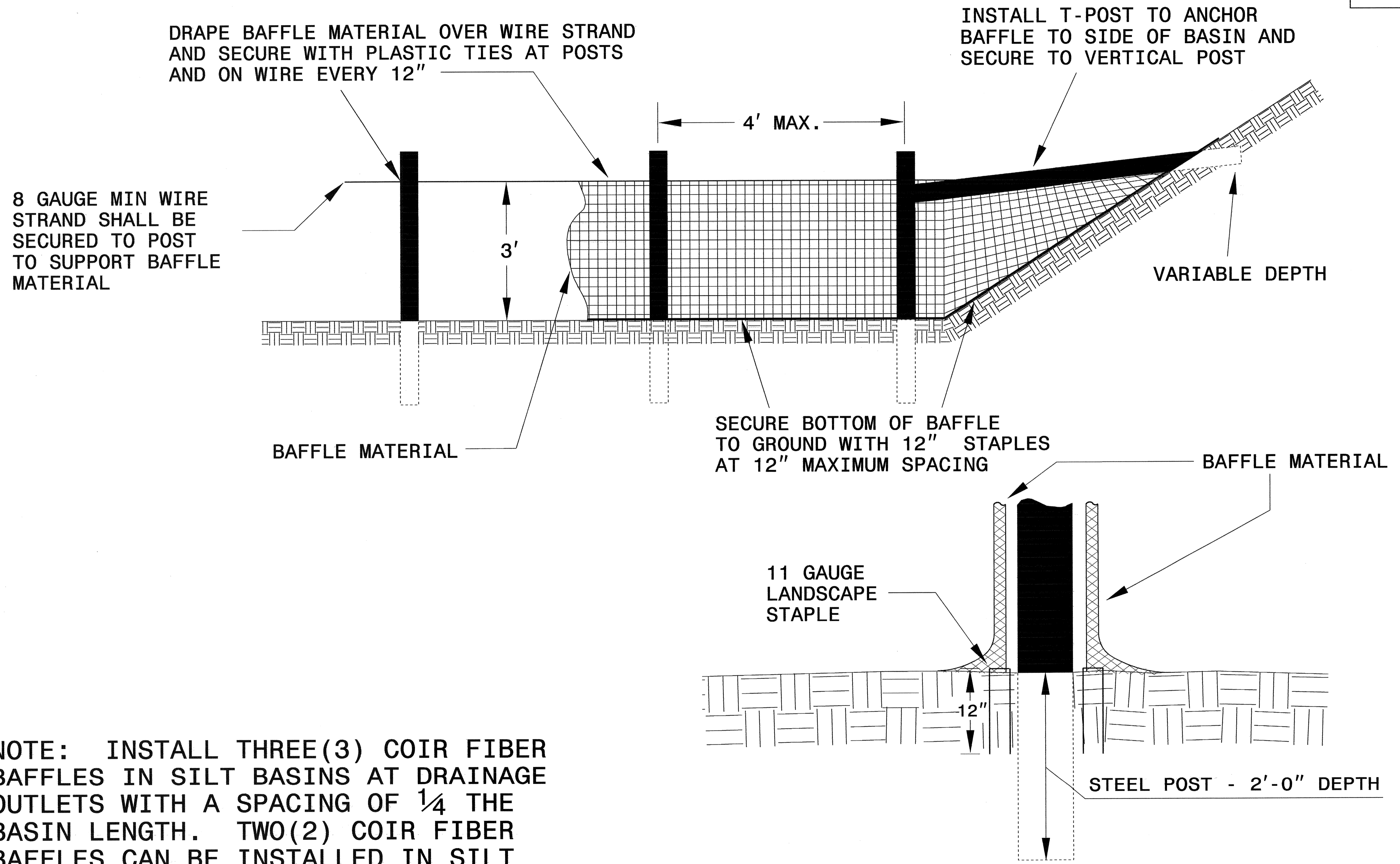
**CROSS SECTION TRAPEZOIDAL DITCH**



**ELEVATION VIEW**

PROJECT REFERENCE NO. B-4060	SHEET NO. EC-2A
RW SHEET NO.	
ROADWAY DESIGN ENGINEER	HYDRAULICS ENGINEER

# COIR FIBER BAFFLE DETAIL



NOTE: INSTALL THREE (3) COIR FIBER BAFFLES IN SILT BASINS AT DRAINAGE OUTLETS WITH A SPACING OF  $\frac{1}{4}$  THE BASIN LENGTH. TWO (2) COIR FIBER BAFFLES CAN BE INSTALLED IN SILT BASINS LESS THAN 20 FT. IN LENGTH WITH A SPACING OF  $\frac{1}{3}$  THE BASIN LENGTH.

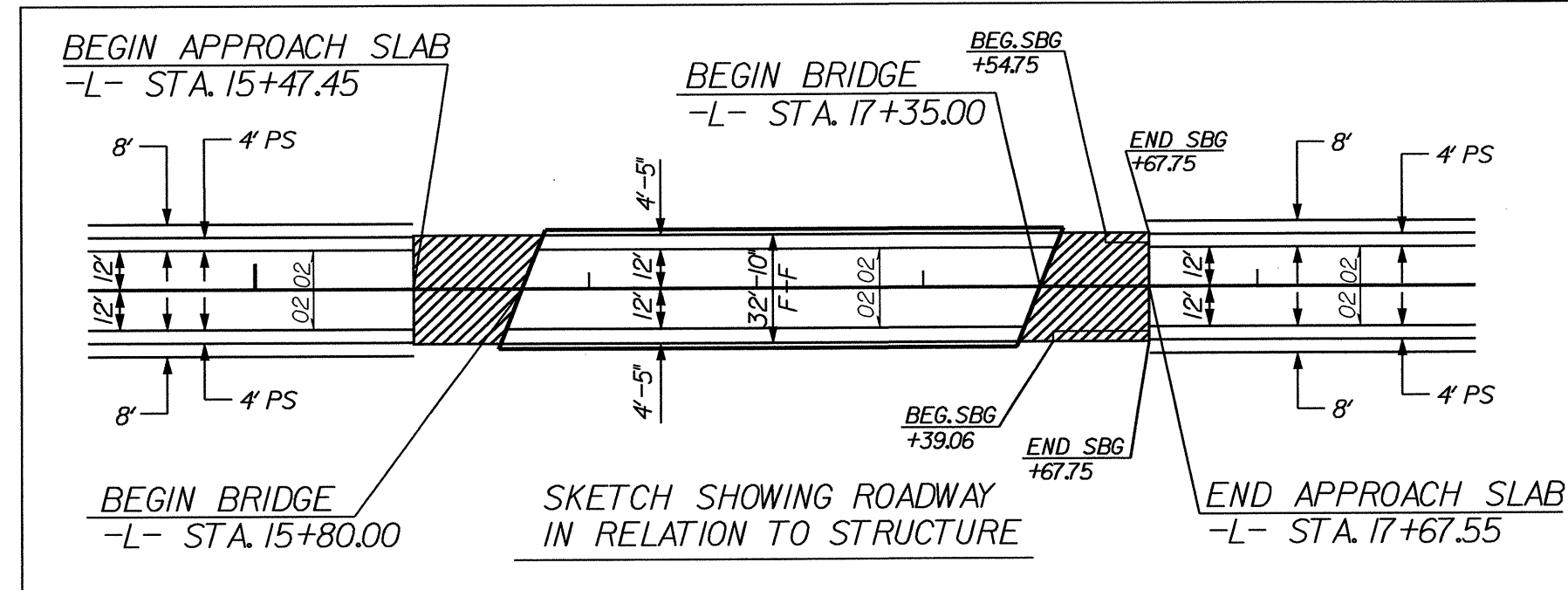
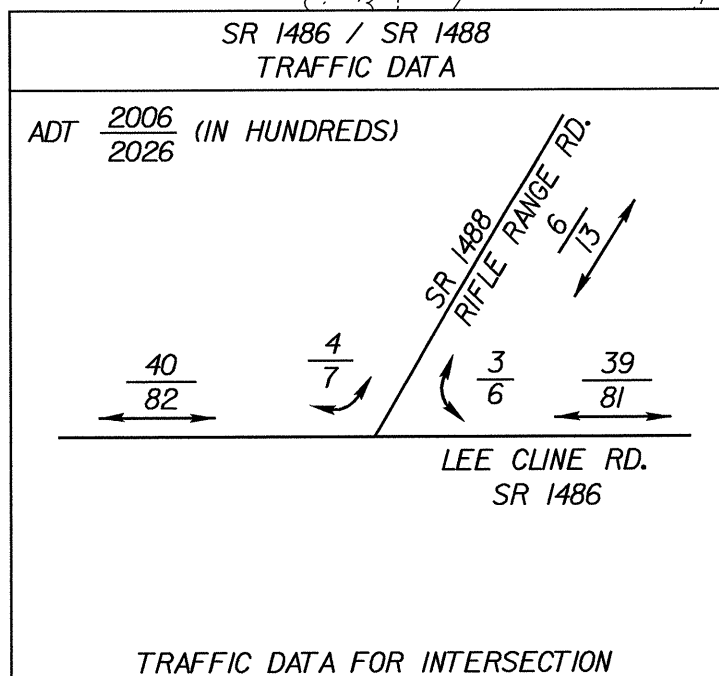
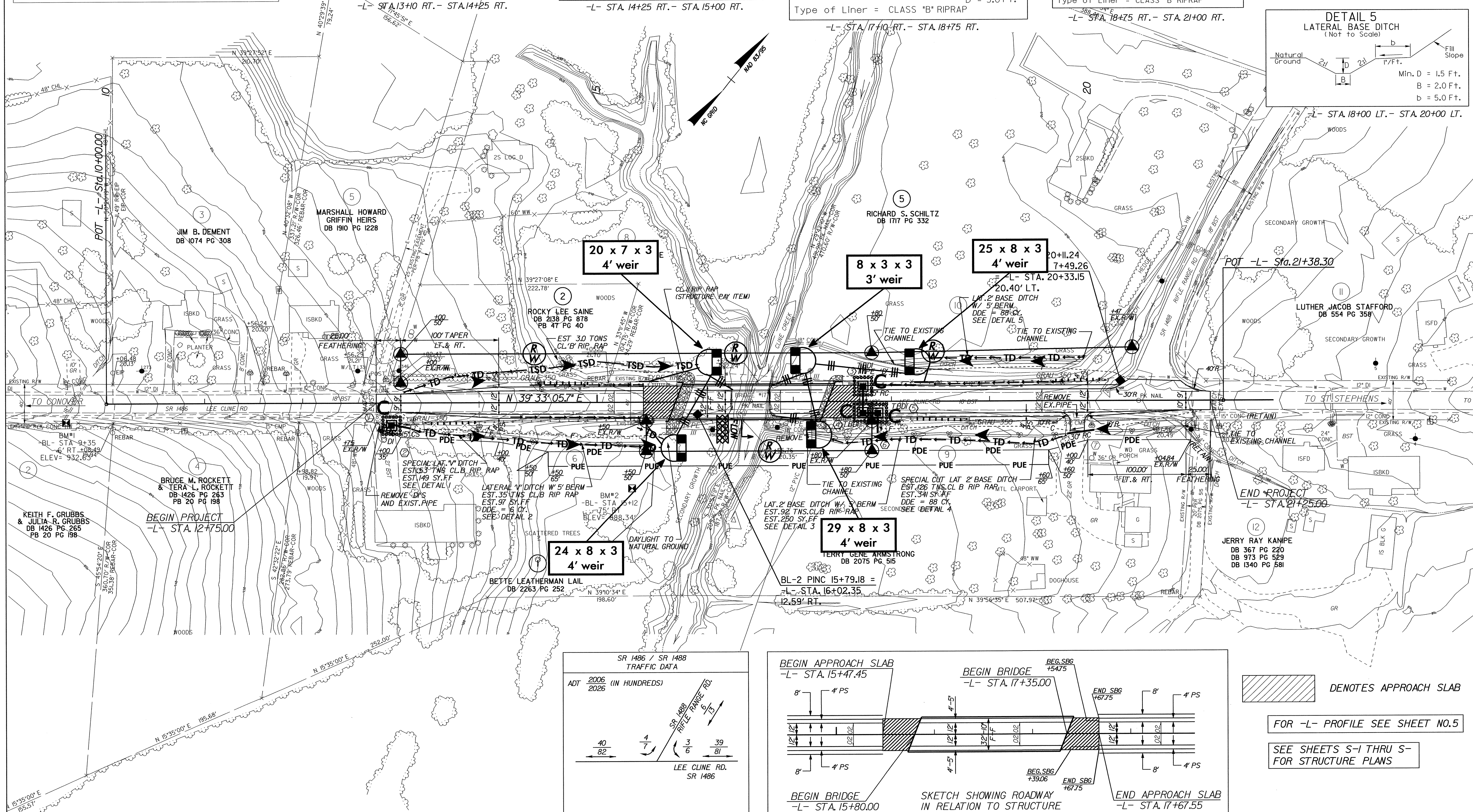
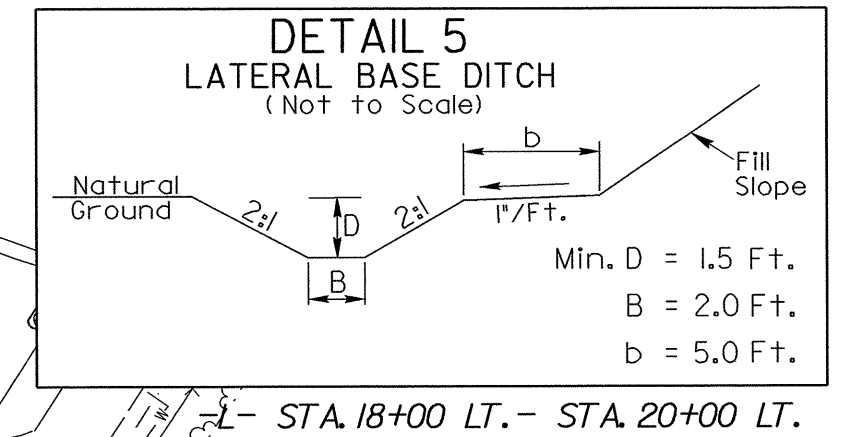
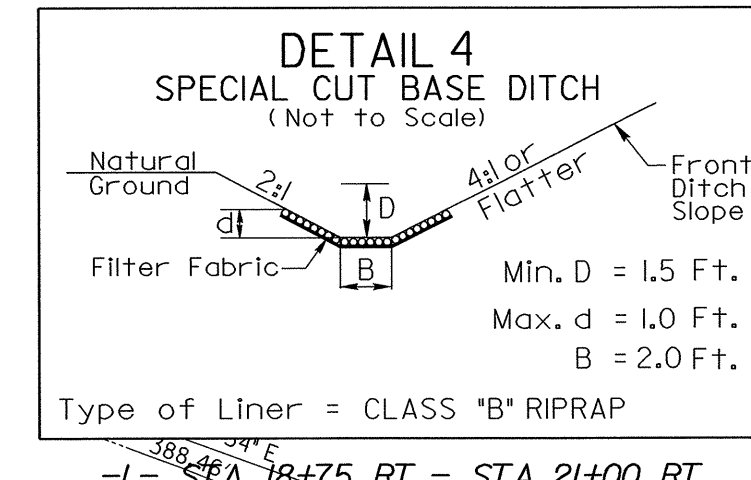
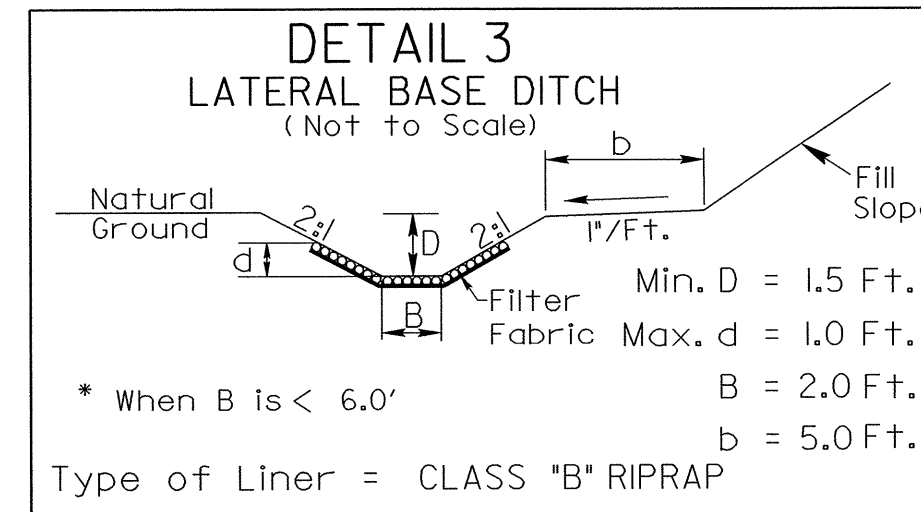
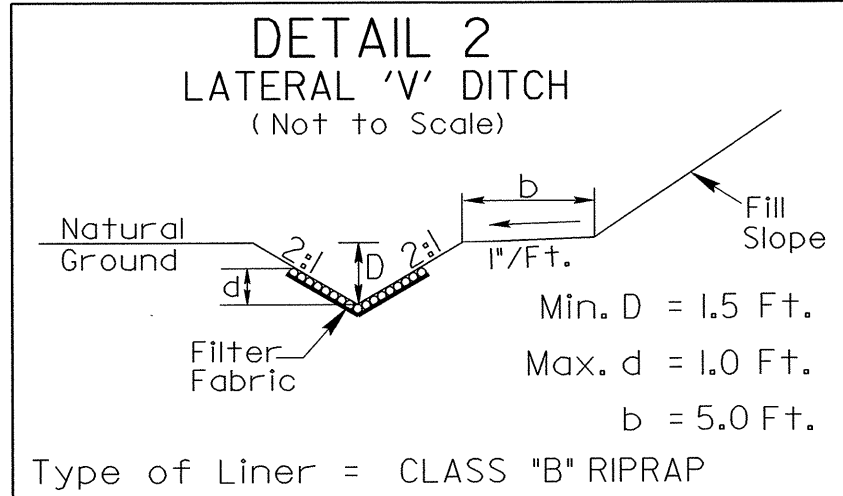
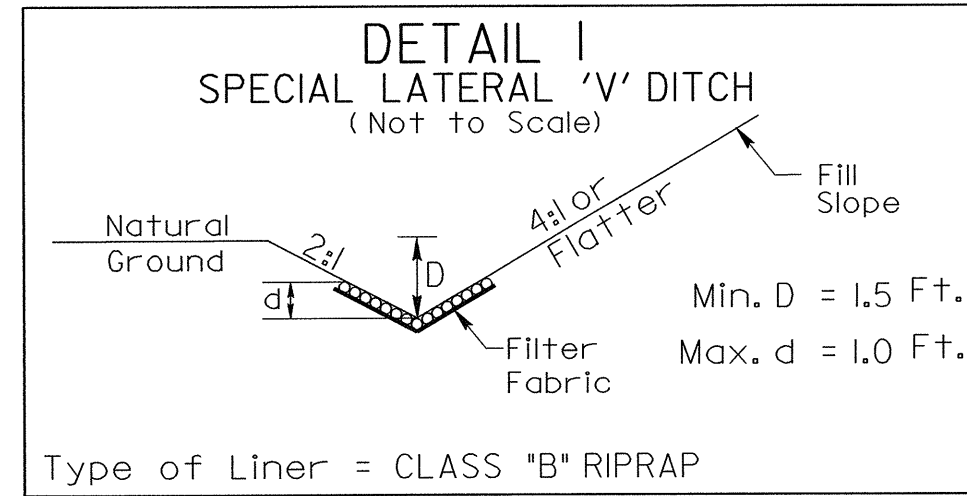
BAFFLE MATERIAL SHALL BE SECURED TO THE BOTTOM AND SIDES OF BASIN USING 12" LANDSCAPE STAPLES

10/26/98

**CLEARING AND GRUBBING  
EROSION CONTROL FOR  
CONSTRUCTION SHEET 4**

**NOTE:**  
PLACE TEMPORARY ROCK SEDIMENT DAMS TYPE - B  
AND TEMPORARY ROCK SILT CHECKS TYPE - A AT  
DRAINAGE OUTLETS.

**NOTE:**  
UTILIZE TEMPORARY ROCK SEDIMENT DAM TYPE - B  
AS STILLING BASIN WHERE APPLICABLE.



DENOTES APPROACH SLAB

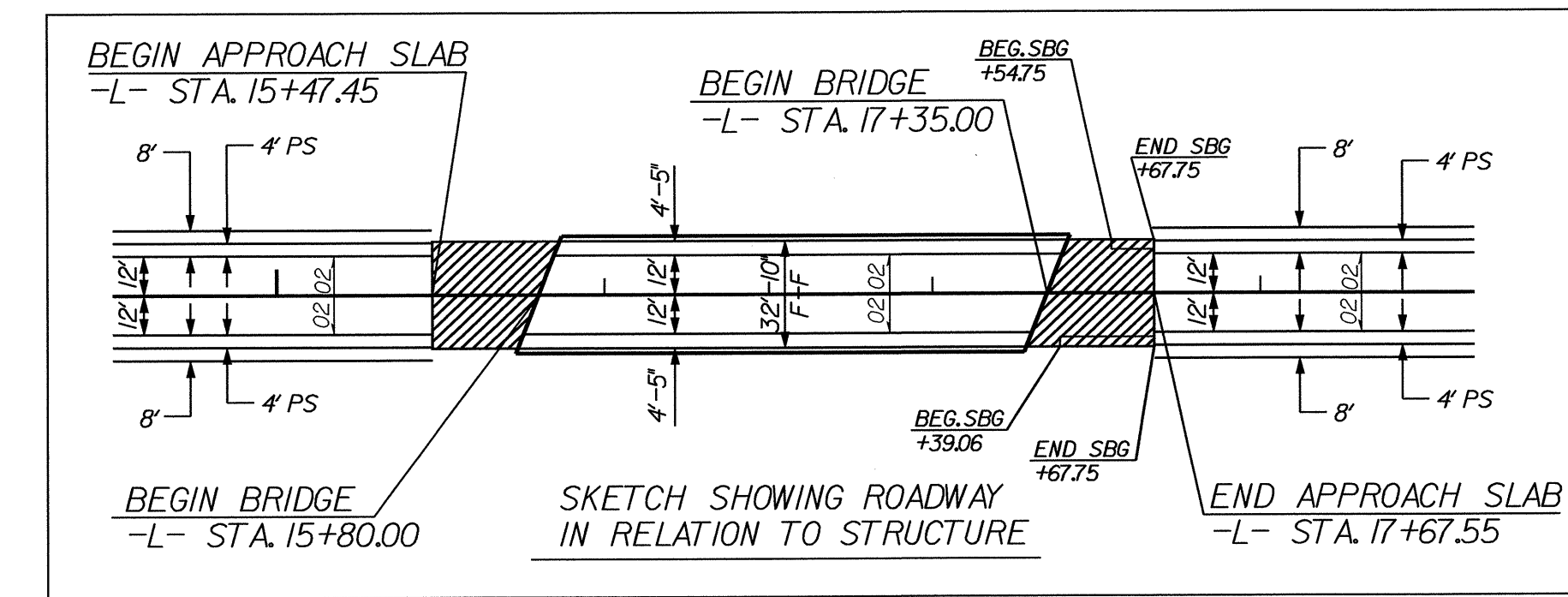
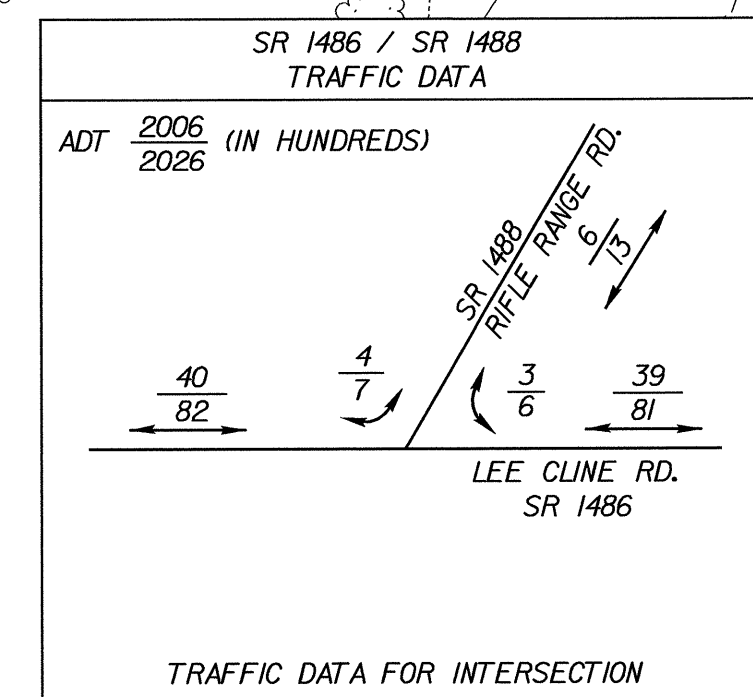
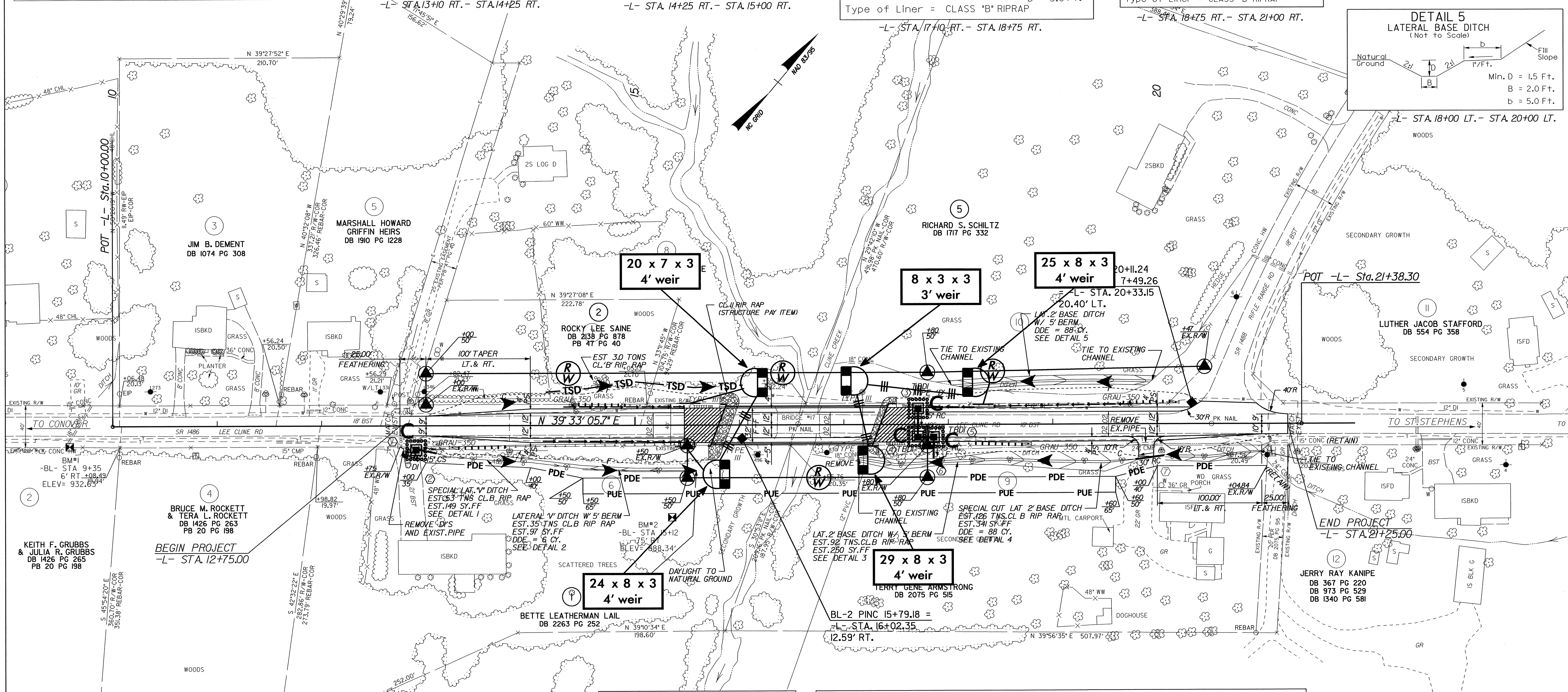
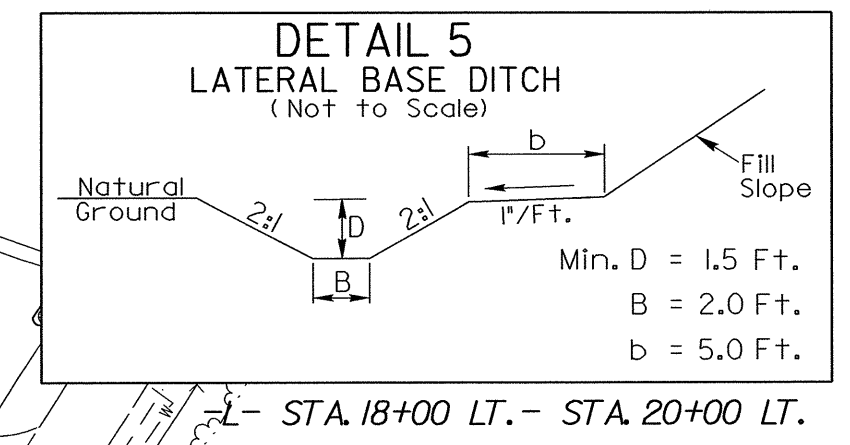
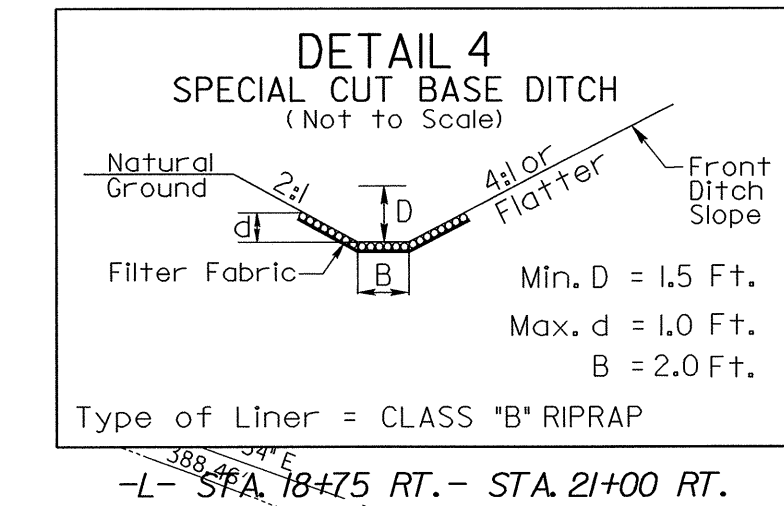
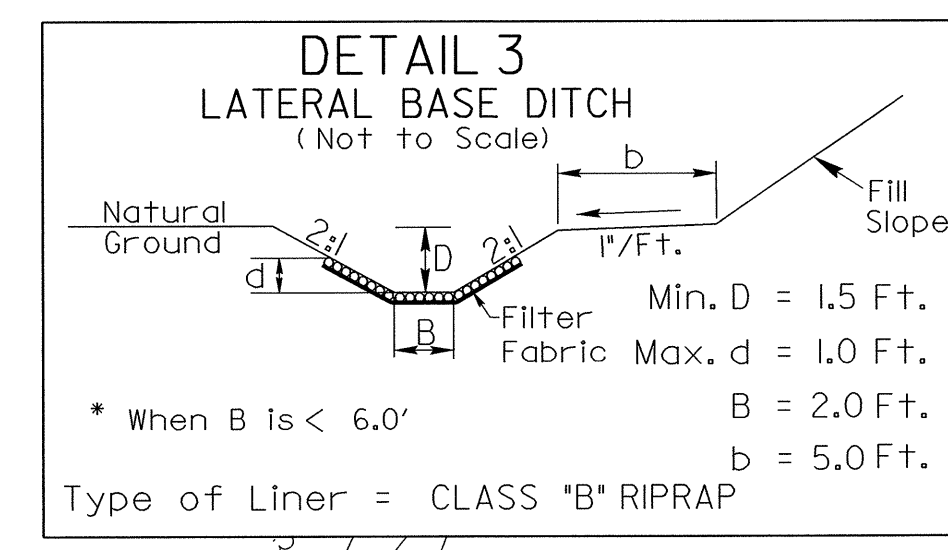
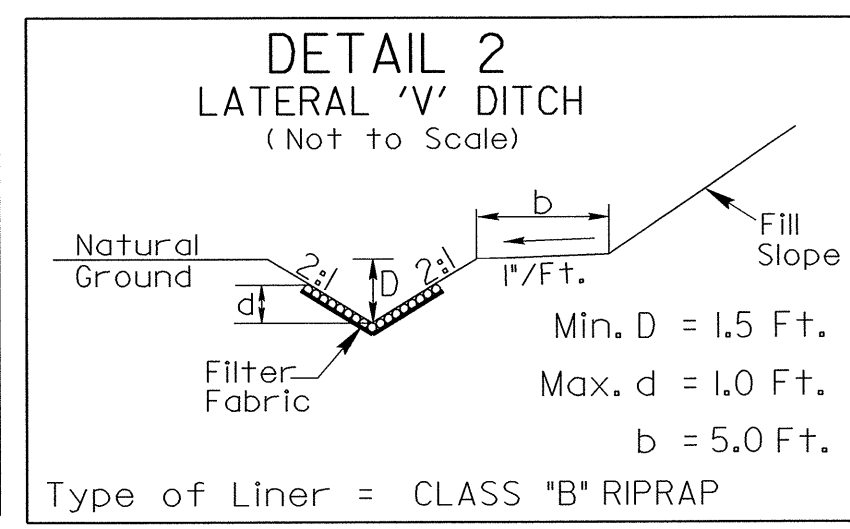
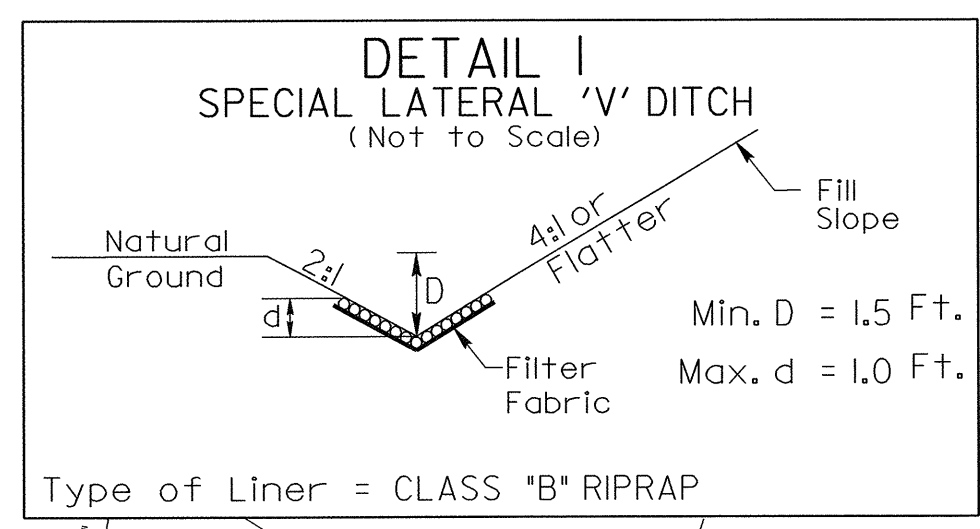
FOR -L- PROFILE SEE SHEET NO.5

SEE SHEETS S-1 THRU S-  
FOR STRUCTURE PLANS

10/26/98

PROJECT REFERENCE NO.	SHEET NO.
B-4060	EC-4/CONST.4
RW SHEET NO.	
ROADWAY DESIGN ENGINEER	HYDRAULICS ENGINEER

**NOTE:**  
UTILIZE TEMPORARY ROCK SEDIMENT DAM TYPE - B AS STILLING BASIN WHERE APPLICABLE.



/// DENOTES APPROACH SLAB

FOR -L- PROFILE SEE SHEET NO.5

SEE SHEETS S-1 THRU S- FOR STRUCTURE PLANS