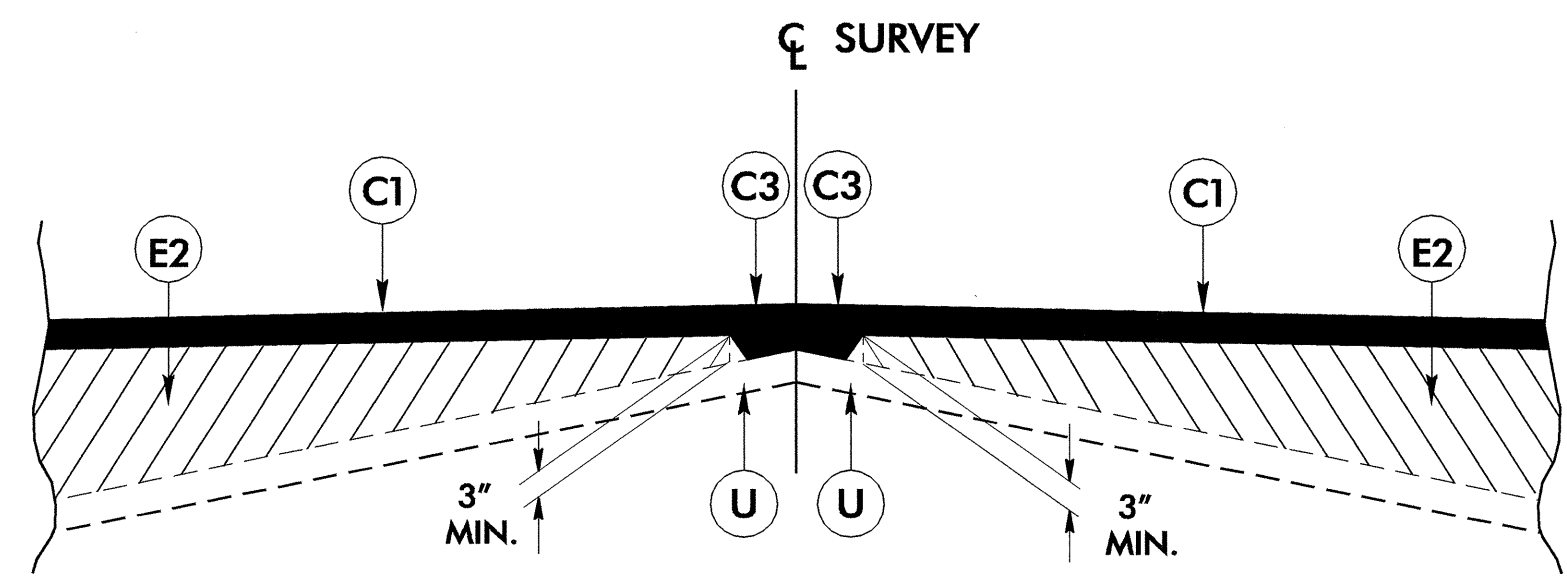
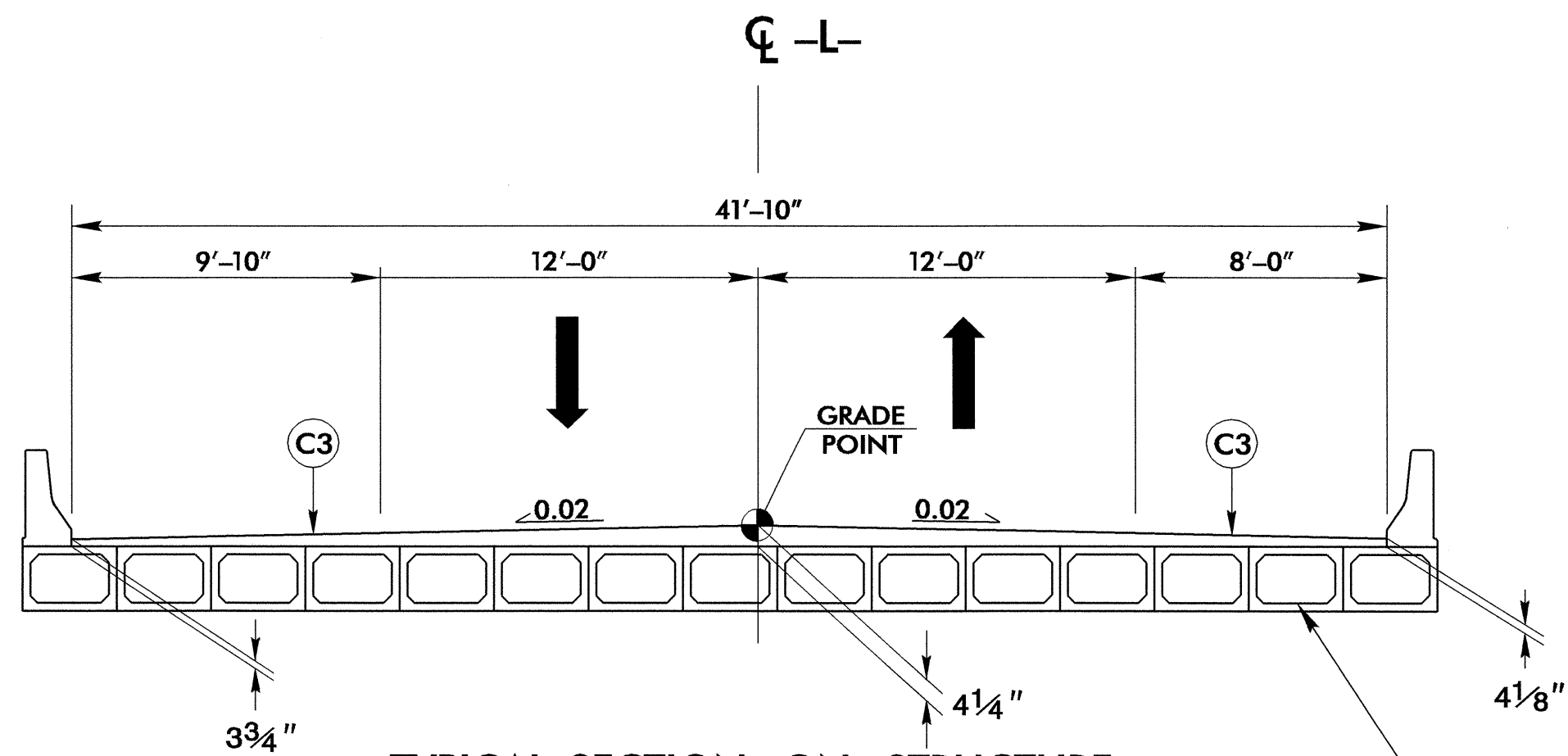


PAVEMENT SCHEDULE FINAL DESIGN	
C1	PROP. APPROX. 1.25" ASPHALT CONCRETE SURFACE COURSE, TYPE SF9.5A, AT AN AVERAGE RATE OF 137.5 LBS. PER SQ. YD.
C2	PROP. APPROX. 2.5" ASPHALT CONCRETE SURFACE COURSE, TYPE SF9.5A, AT AN AVERAGE RATE OF 137.5 LBS. PER SQ. YD. IN EACH OF TWO LAYERS.
C3	PROP. VAR. DEPTH ASPHALT CONCRETE SURFACE COURSE, TYPE SF9.5A, AT AN AVERAGE RATE OF 110 LBS. PER SQ. YD. PER 1" DEPTH. TO BE PLACED IN LAYERS NOT TO EXCEED 1 1/2" IN DEPTH.
E1	PROP. APPROX. 5.5" ASPHALT CONCRETE BASE COURSE, TYPE B25.0B, AT AN AVERAGE RATE OF 627 LBS. PER SQ. YD.
E2	PROP. VAR. DEPTH ASPHALT CONCRETE BASE COURSE, TYPE B25.0B, AT AN AVERAGE RATE OF 114 LBS. PER SQ. YD. PER 1" DEPTH. TO BE PLACED IN LAYERS NOT LESS THAN 3" IN DEPTH OR GREATER THAN 5 1/2" IN DEPTH.
T	EARTH MATERIAL.
U	EXISTING PAVEMENT.
W	VARIABLE DEPTH ASPHALT PAVEMENT (SEE WEDGING DETAIL).

NOTE: PAVEMENT EDGE SLOPES ARE 1:1 UNLESS SHOWN OTHERWISE.

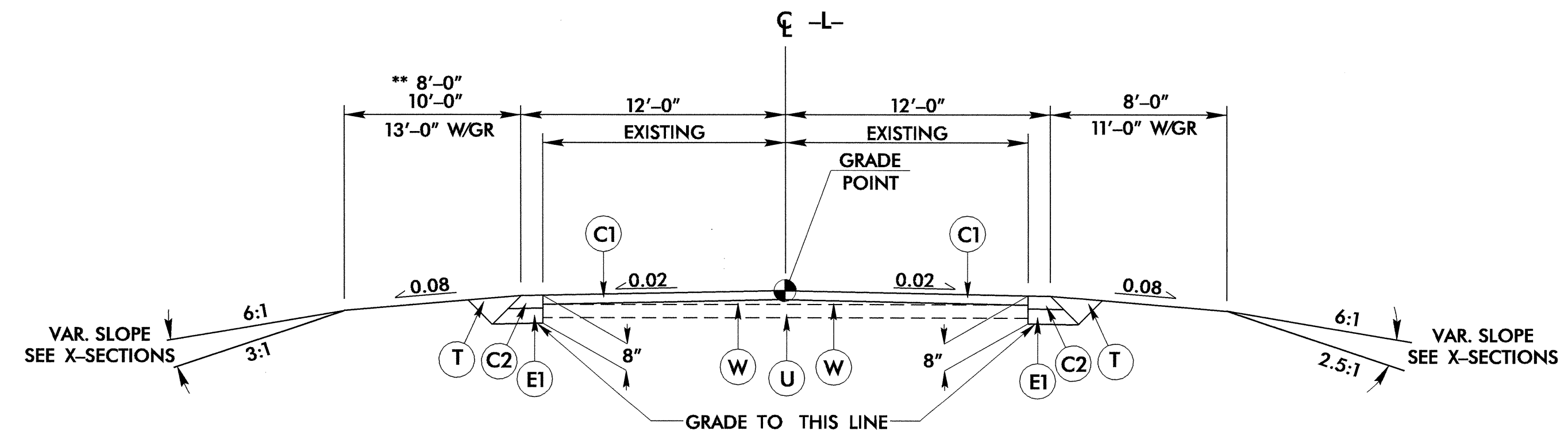


WEDGING DETAIL



TYPICAL SECTION ON STRUCTURE

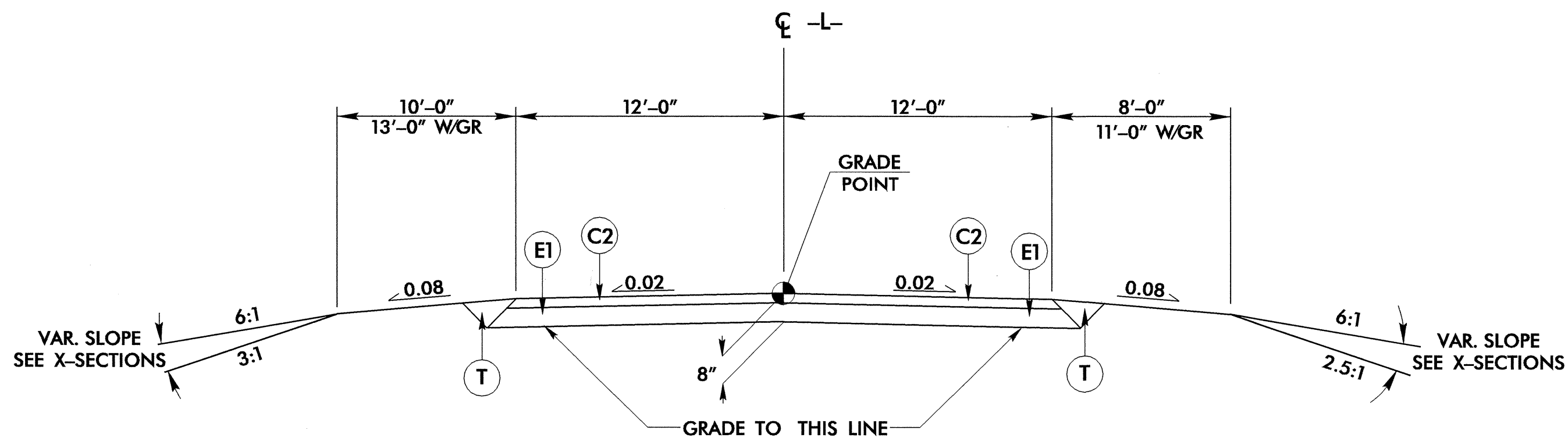
USE TYPICAL SECTION ON STRUCTURE  
-L- STA. 15+84 (BEG. BRIDGE) TO -L- STA. 16+74 (END BRIDGE)



TYPICAL SECTION NO. 1

USE TYPICAL SECTION NO. 1

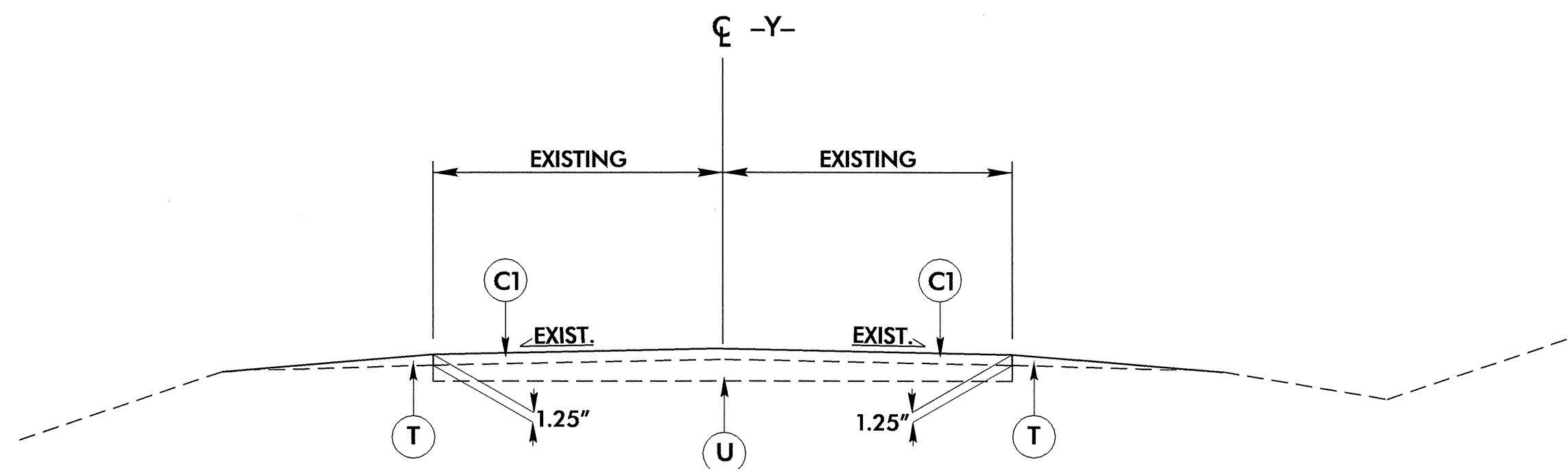
-L- STA. 12+30 TO -L- STA. 15+34  
-L- STA. 17+24 TO -L- STA. 20+30  
\*\* -L- STA. 12+30 TO -L- STA. 13+78.17



TYPICAL SECTION NO. 2

USE TYPICAL SECTION NO. 2

-L- STA. 15+34 TO -L- STA. 15+84 (BEGIN BRIDGE)  
-L- STA. 16+74 (END BRIDGE) TO -L- STA. 17+24



TYPICAL SECTION NO. 3

USE TYPICAL SECTION NO. 3

-Y- STA. 11+85 TO -Y- STA. 12+63.30

PROPOSED BOX BEAM BRIDGE  
(STRUCTURE PAY ITEM, SEE  
STRUCTURE PLANS  
S-1 THRU S-18)