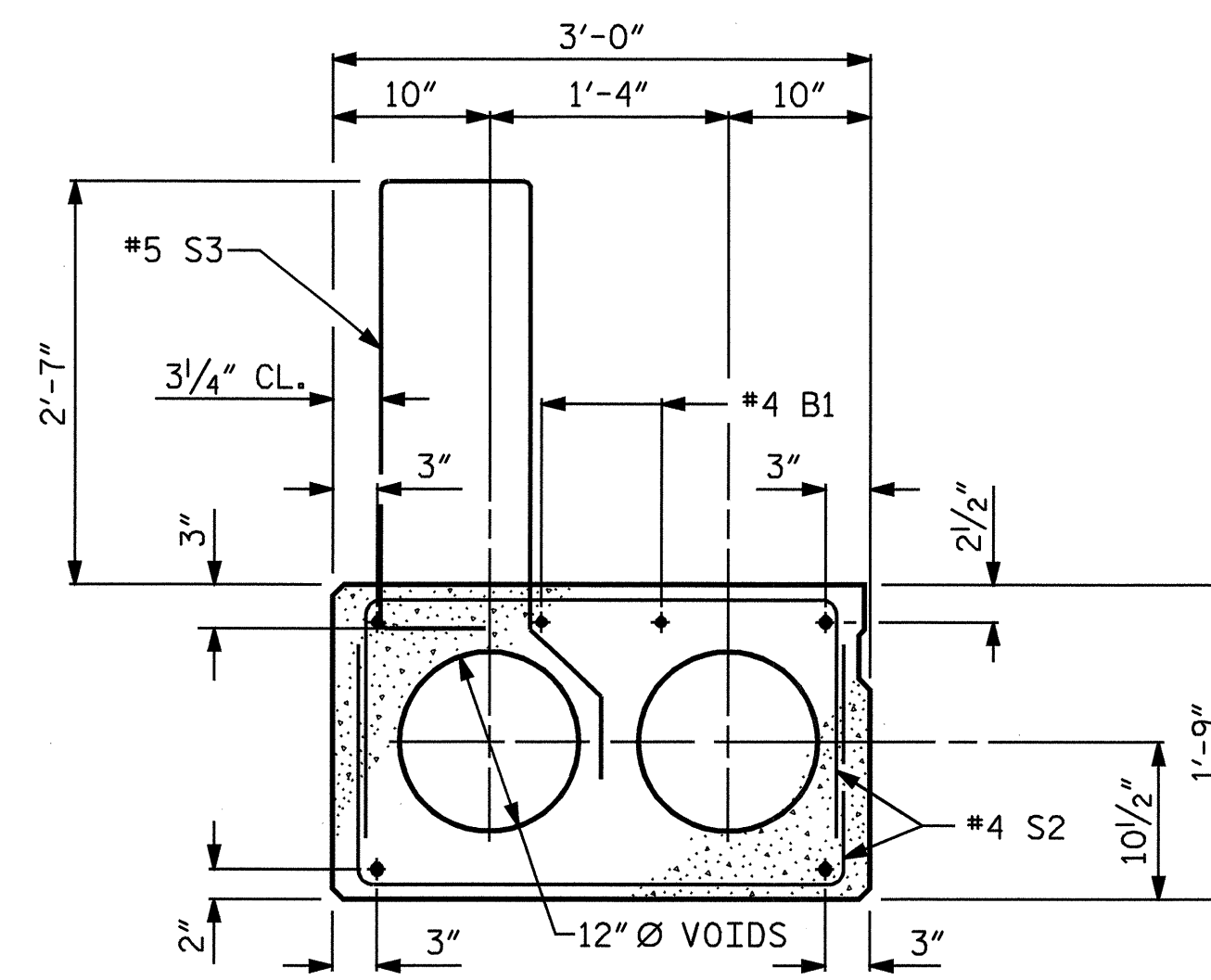


NOTE:
FOR LOCATION OF
VIEWS, SEE TYPICAL
SECTIONS, SHEET 1 OF 2

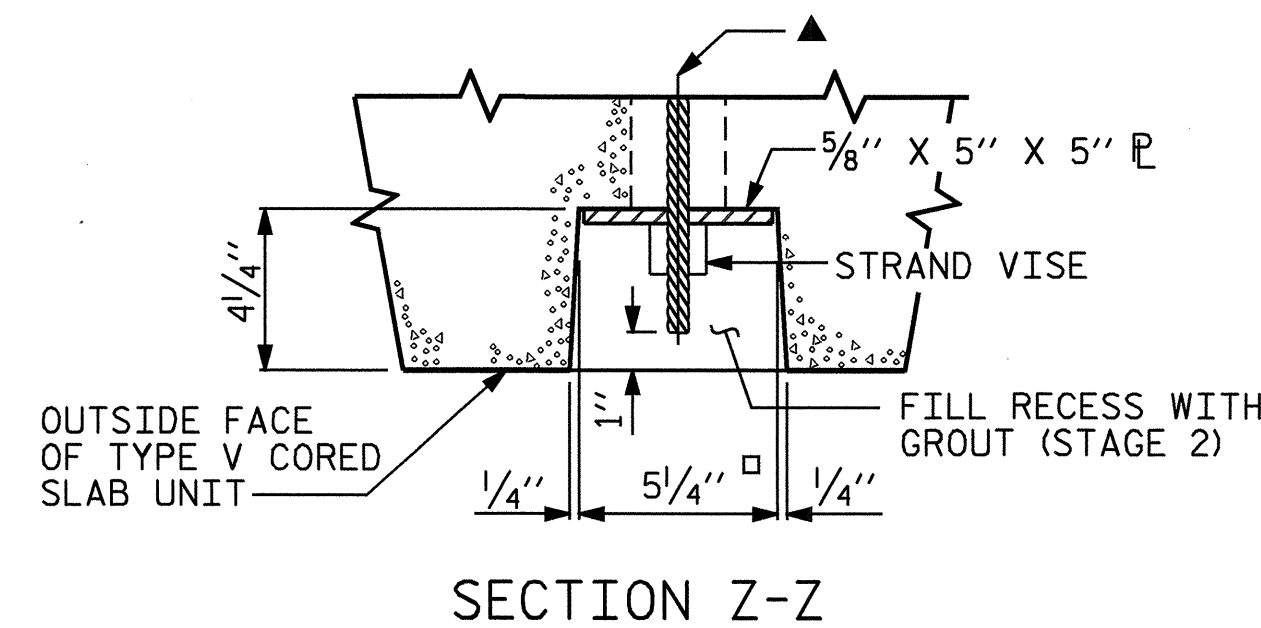
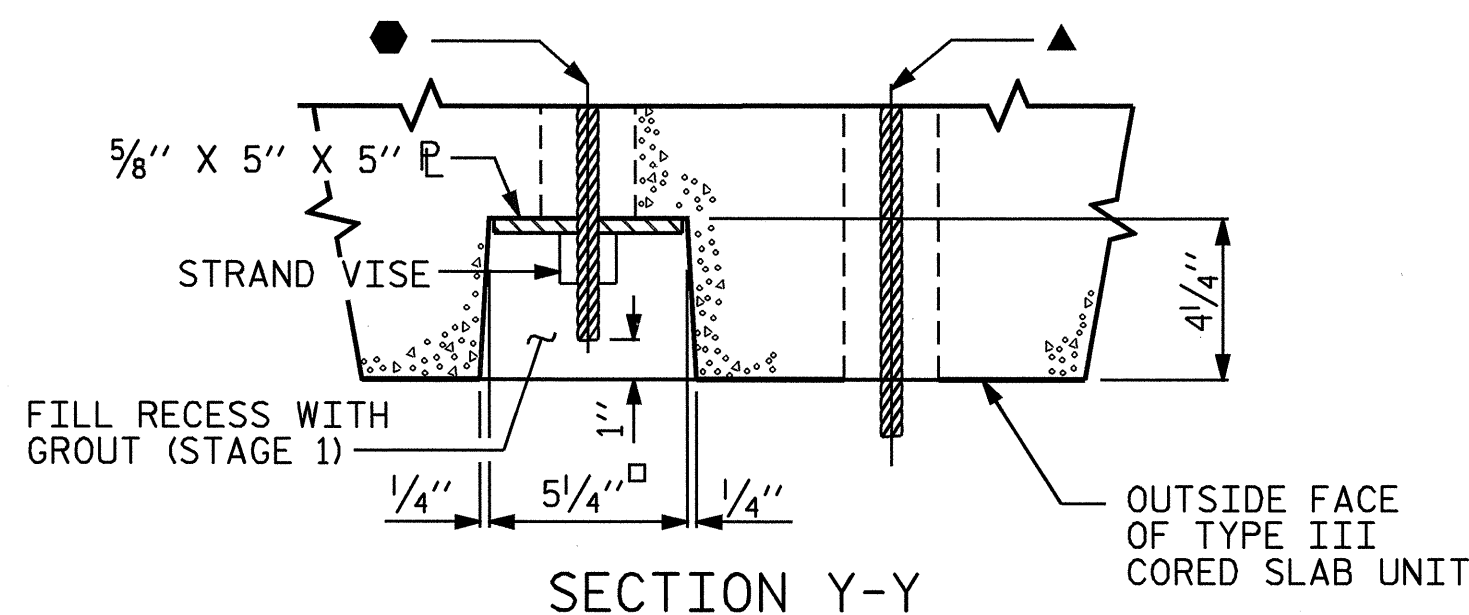
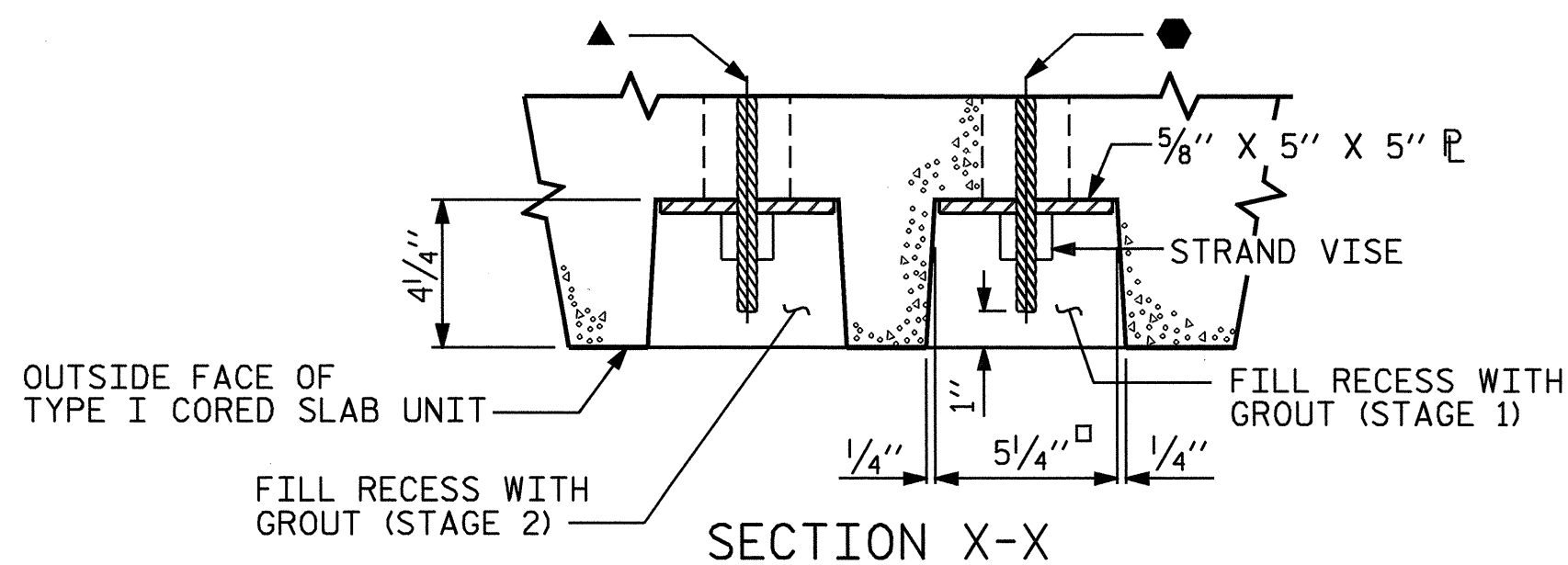


EXTERIOR SLAB SECTION

(FOR PRESTRESSED STRAND LAYOUT, SEE
INTERIOR SLAB SECTION.)

● $\frac{1}{2}$ " \varnothing H.S. TRANSVERSE POST-TENSIONING STRAND SHEATHED WITH A NON-CORROSIVE PIPE (TO BE TENSIONED DURING STAGE I CONST.)

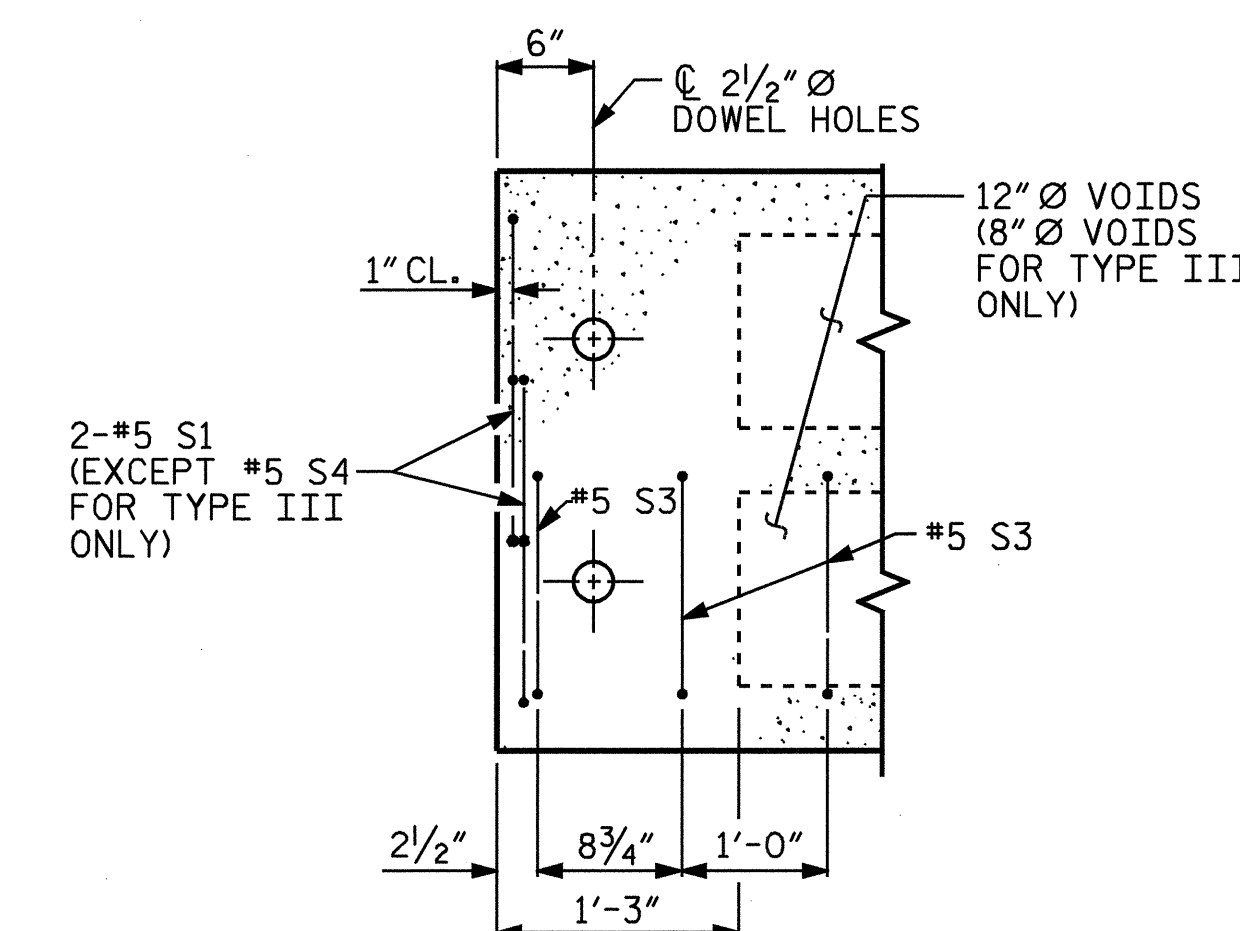
▲ $\frac{1}{2}$ " \varnothing H.S. TRANSVERSE POST-TENSIONING STRAND SHEATHED WITH A NON-CORROSIVE PIPE (TO BE TENSIONED DURING STAGE II CONST.)



GROUTED RECESS AT END OF POST-TENSIONED STRAND FOR CORED SLABS

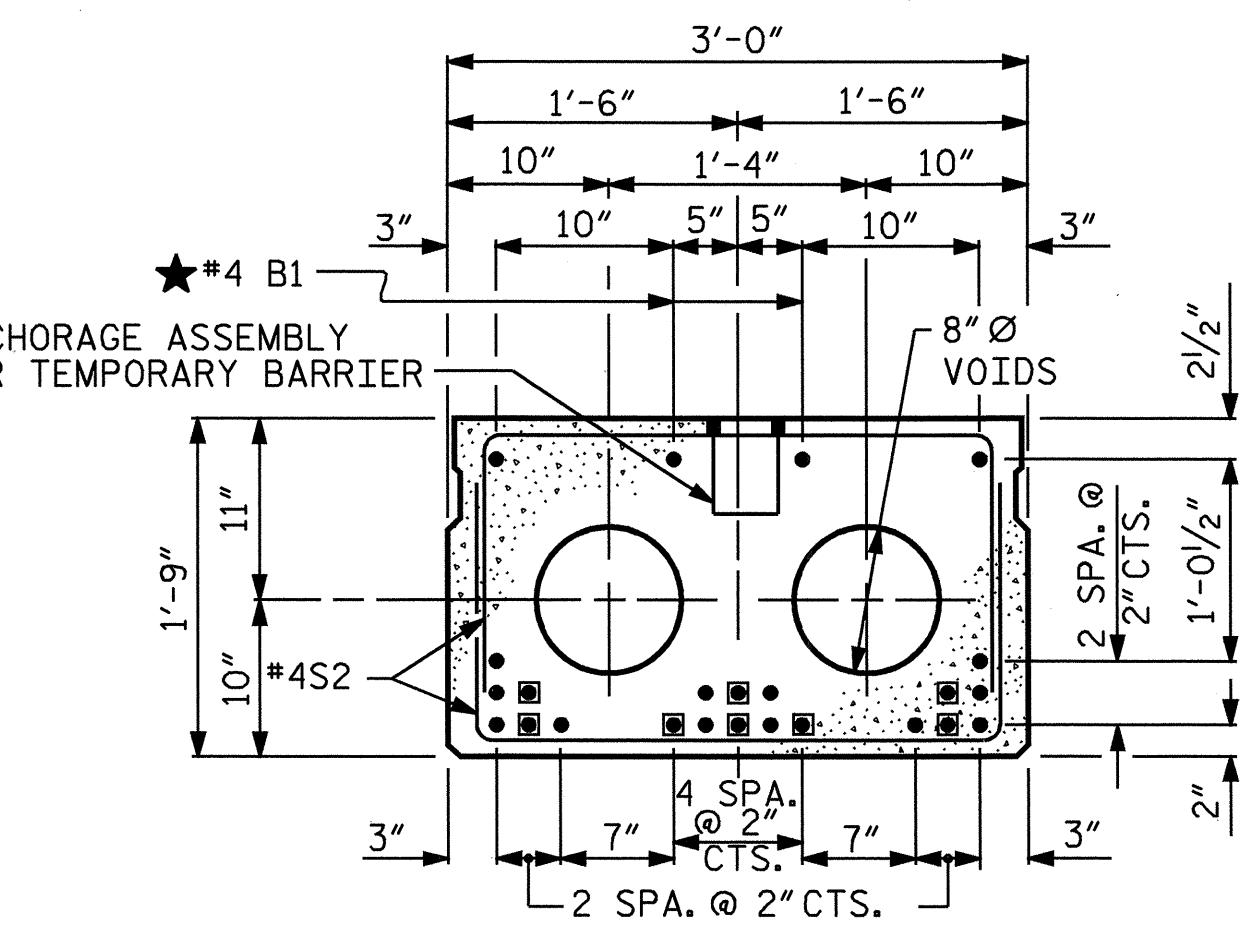
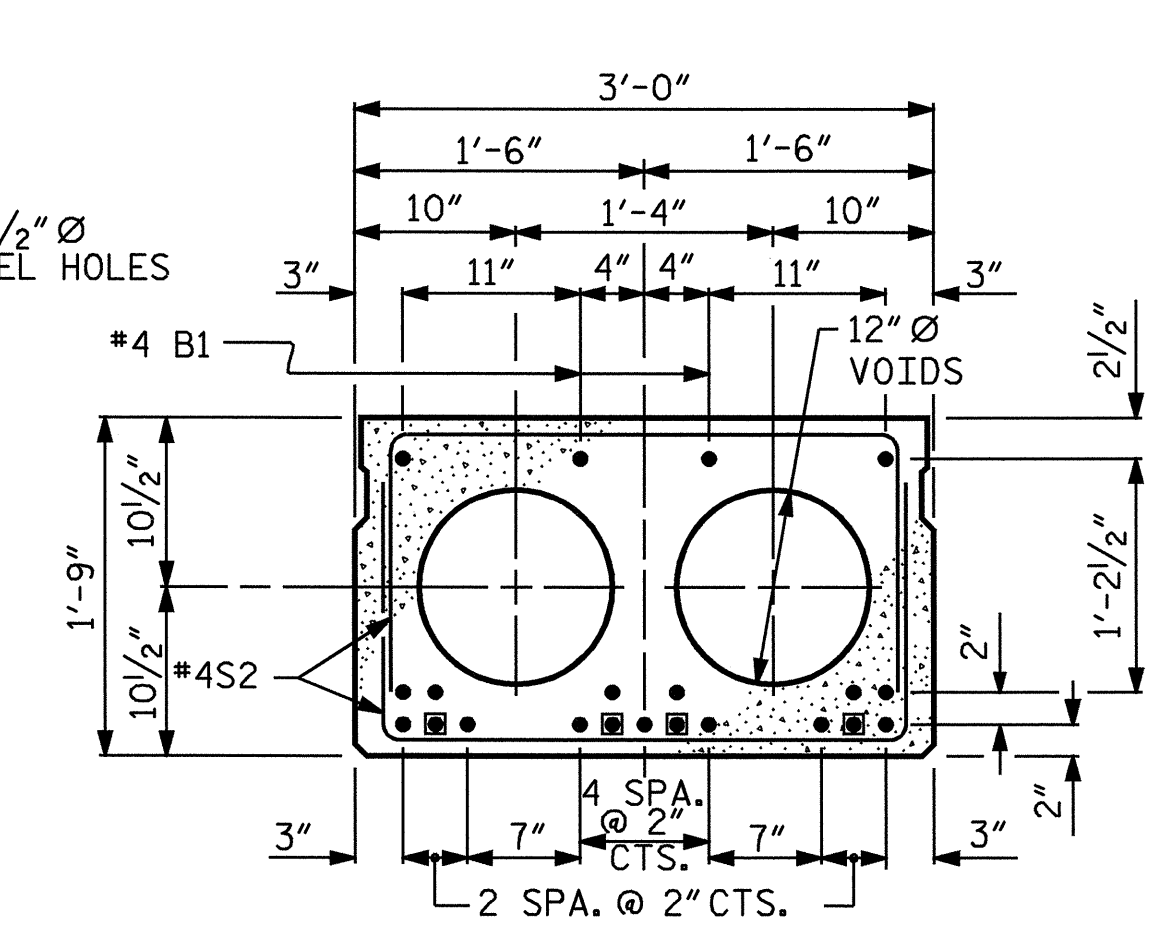
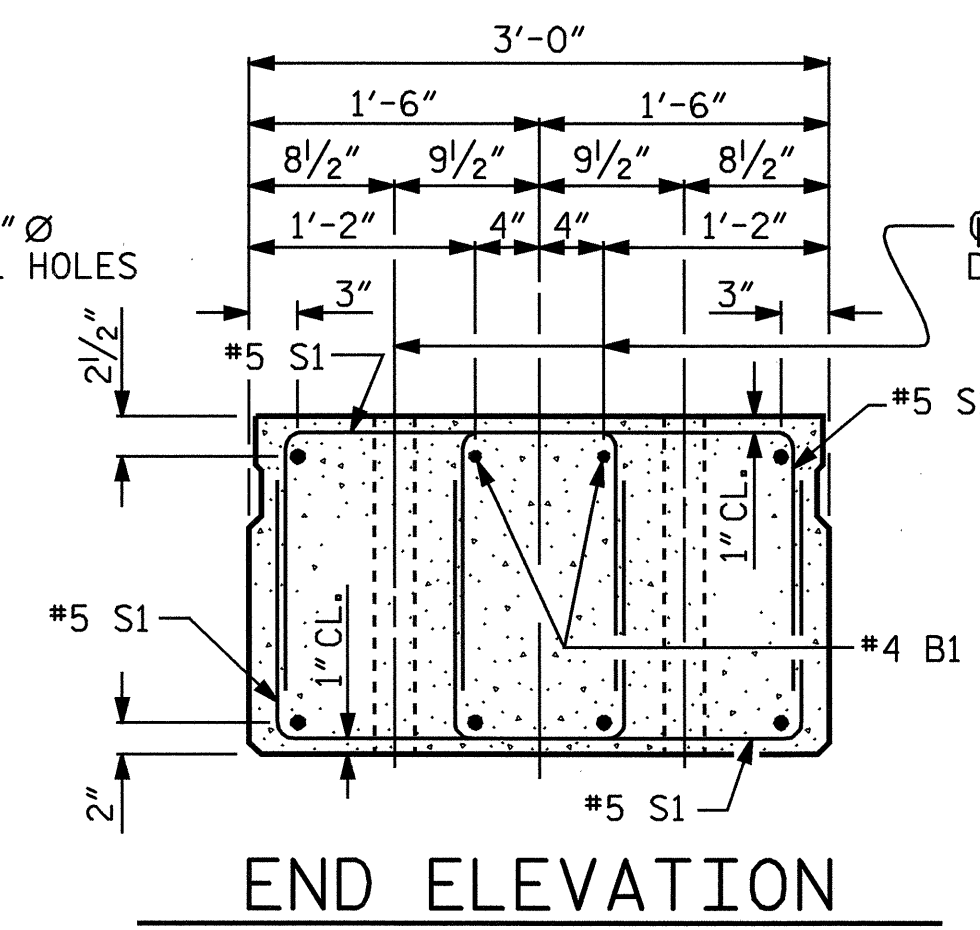
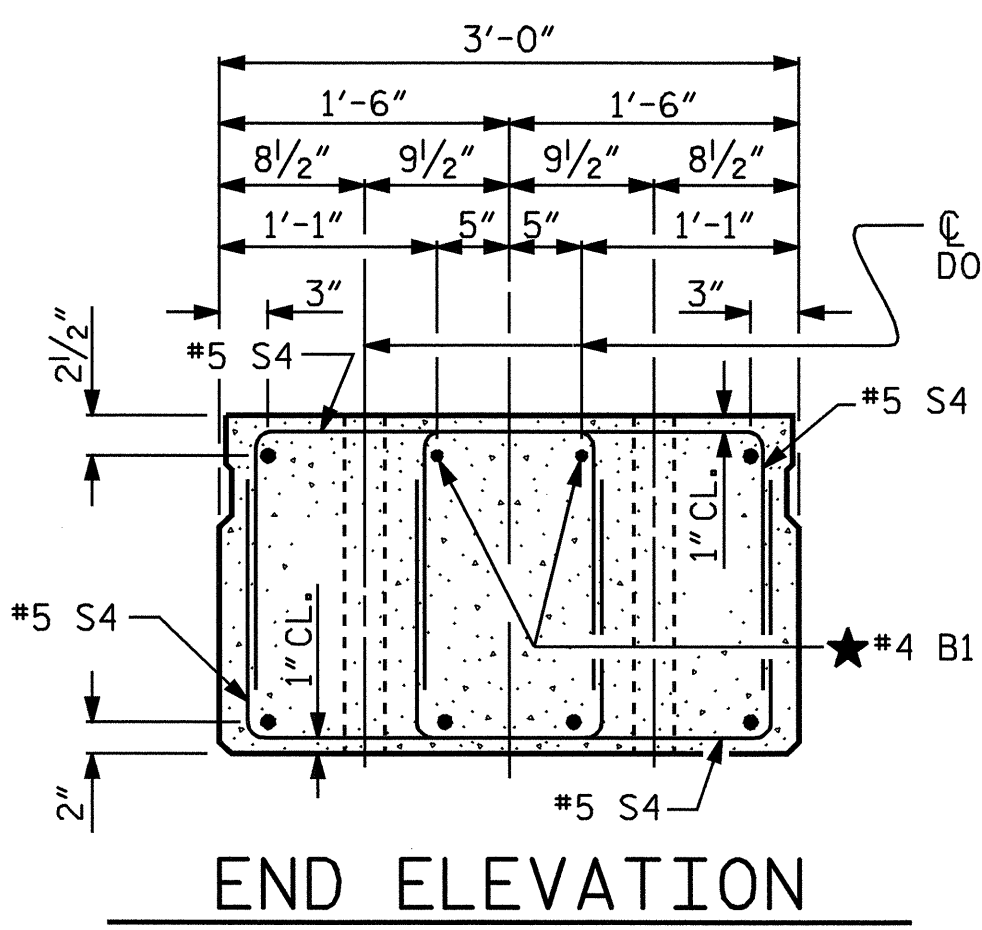
★ NOTE TO FABRICATOR:
THE #4 B1 BARS IN TYPE III
CORED SLAB UNITS ARE SPACED
DIFFERENTLY THAN OTHER UNITS.

□ BOND SHALL BE BROKEN ON THESE STRANDS FOR
A DISTANCE OF 4'-0" FROM END OF CORED
SLAB UNIT, SEE STANDARD SPECIFICATIONS
ARTICLE 1078-7.



PART PLAN-EXTERIOR SECTION

NOTE: EXTERIOR SECTION SHOWN-INTERIOR
SECTION SIMILAR EXCEPT OMIT S3 BARS.



END ELEVATION

END ELEVATION

INTERIOR SLAB SECTION

INTERIOR SLAB SECTION

(FOR TYPE III CORED SLAB UNIT ONLY)
SHOWING PLACEMENT OF DOUBLE STIRRUPS AND
LOCATION OF DOWEL HOLES.
(STRAND LAYOUT NOT SHOWN.)

(TYP. EA. CORED SLAB UNIT EXCEPT TYPE III)
SHOWING PLACEMENT OF DOUBLE STIRRUPS AND
LOCATION OF DOWEL HOLES.
(STRAND LAYOUT NOT SHOWN.)
INTERIOR SLAB SECTION SHOWN-EXTERIOR SLAB
SECTION SIMILAR EXCEPT SHEAR KEY LOCATION.

**$\frac{1}{2}$ " \varnothing LOW RELAXATION
STRAND LAYOUT**

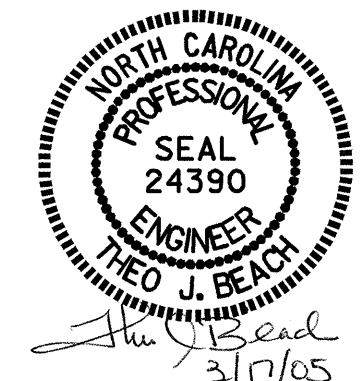
**$\frac{1}{2}$ " \varnothing LOW RELAXATION
STRAND LAYOUT**

(TYP. EA. CORED SLAB UNIT EXCEPT TYPE III)
(19 STRANDS)

(FOR TYPE III CORED SLAB UNIT ONLY)
(FOR DETAILS OF ANCHORAGE ASSEMBLY, SEE
"TEMPORARY PRECAST CONCRETE "L" BARRIER DETAILS"
(22 STRANDS)

PROJECT NO. B-3349
HYDE COUNTY
STATION: 15+69.00 -L-
SHEET 2 OF 2

STATE OF NORTH CAROLINA
DEPARTMENT OF TRANSPORTATION
RALEIGH
SUPERSTRUCTURE
TYPICAL SECTION



DRAWN BY: P.C. BREWER DATE: 9/29/03
CHECKED BY: M. BRITT DATE: 10/31/03

REVISIONS				SHEET NO.	
NO.	BY:	DATE:	NO.	BY:	DATE:
1			3		
2			4		

S-6
TOTAL SHEETS 44