

**NOTES:**

FOR GROUTED RECESS SEE "SUPERSTRUCTURE TYPICAL SECTION" SHEET 2 OF 2.

● STRAND #1 GOES THRU 6 CORED SLAB UNITS (TO BE TENSIONED DURING STAGE 1 CONSTRUCTION)

▲ STRAND #2 GOES THRU ALL 15 CORED SLAB UNITS (TO BE TENSIONED DURING STAGE 2 CONSTRUCTION)

8" Ø VOIDS REQUIRED IN THE TYPE III CORED SLAB UNITS ONLY.

●▲ STRAND #1 AND STRAND #2 ARE 1/2" Ø H.S. TRANSVERSE POST-TENSIONING STRANDS.

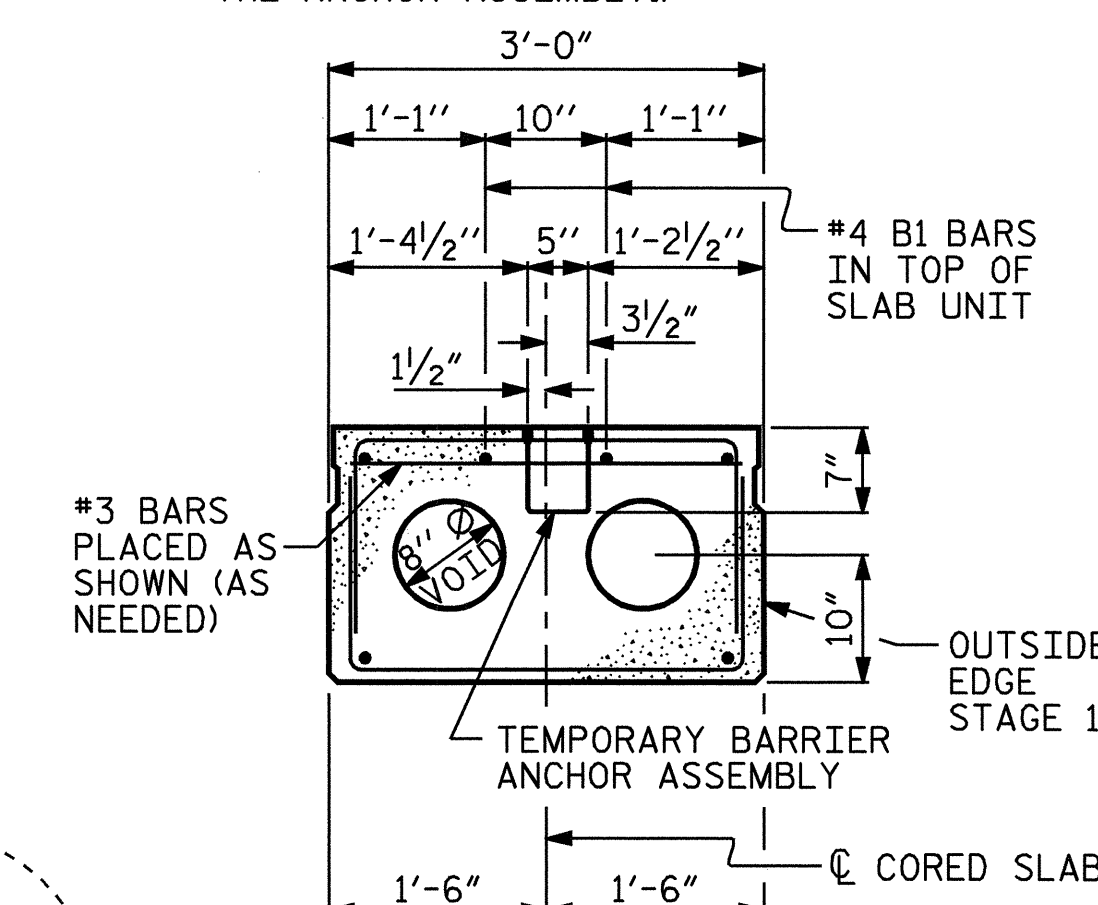
THE #4 S2 AND #5 S3 BARS MAY BE SHIFTED SLIGHTLY IN ORDER TO MAINTAIN A 2" MIN. CLEARANCE TO THE 2" Ø HOLES.

2 1/2" Ø DOWEL HOLES & 2" Ø BEARING (TYP. EA. END)

**ANCHOR ASSEMBLY LOCATIONS TABLE**

	SPAN "A"	SPAN "B"	SPAN "C"
DIM. "A"	3'-8 1/4"	2'-8 1/4"	1'-8 1/4"
DIM. "B"	1'-8 1/4"	2'-8 1/4"	3'-8 1/4"

(NOTE: DIM. "A" & DIM. "B" ARE MEASURED FROM THE END OF THE UNIT TO THE C OF THE ANCHOR ASSEMBLY.)



**SECTION X-X**

(TYPE III CORED SLAB UNIT ONLY)  
THE #3 BARS ARE INCIDENTAL AND THEIR COST SHALL BE INCLUDED IN THE PRICE BID FOR THE PRESTRESSED CONCRETE CORED SLABS.

PROJECT NO. B-3349

HYDE COUNTY

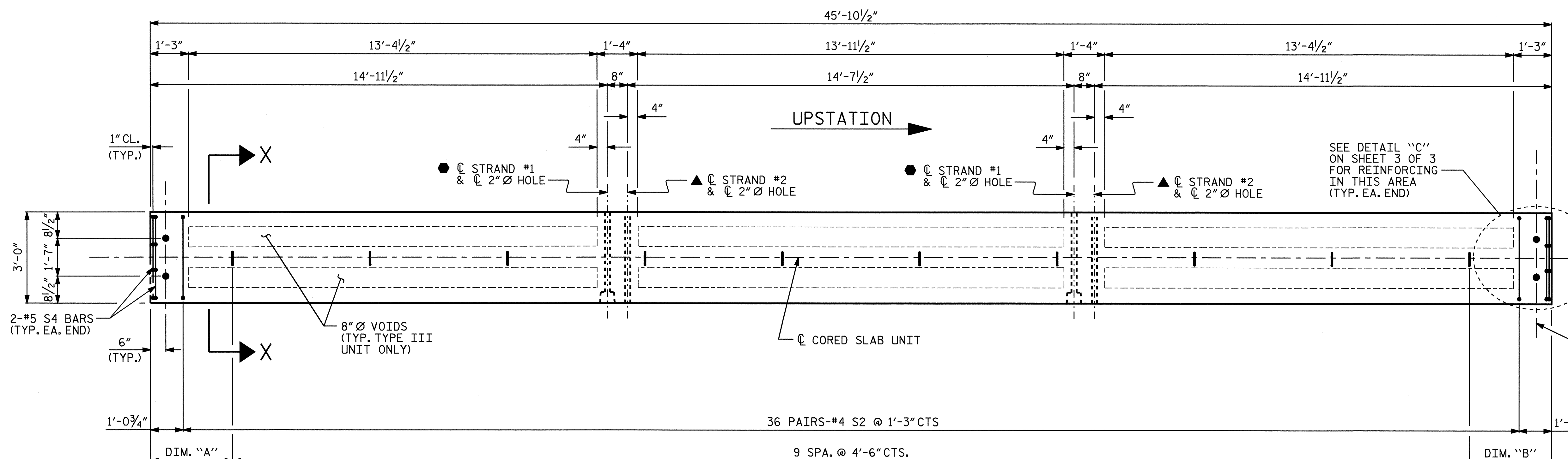
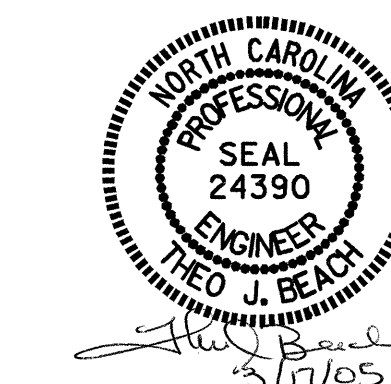
STATION: 15+69.00 -L-

SHEET 2 OF 3

STATE OF NORTH CAROLINA  
DEPARTMENT OF TRANSPORTATION  
RALEIGH

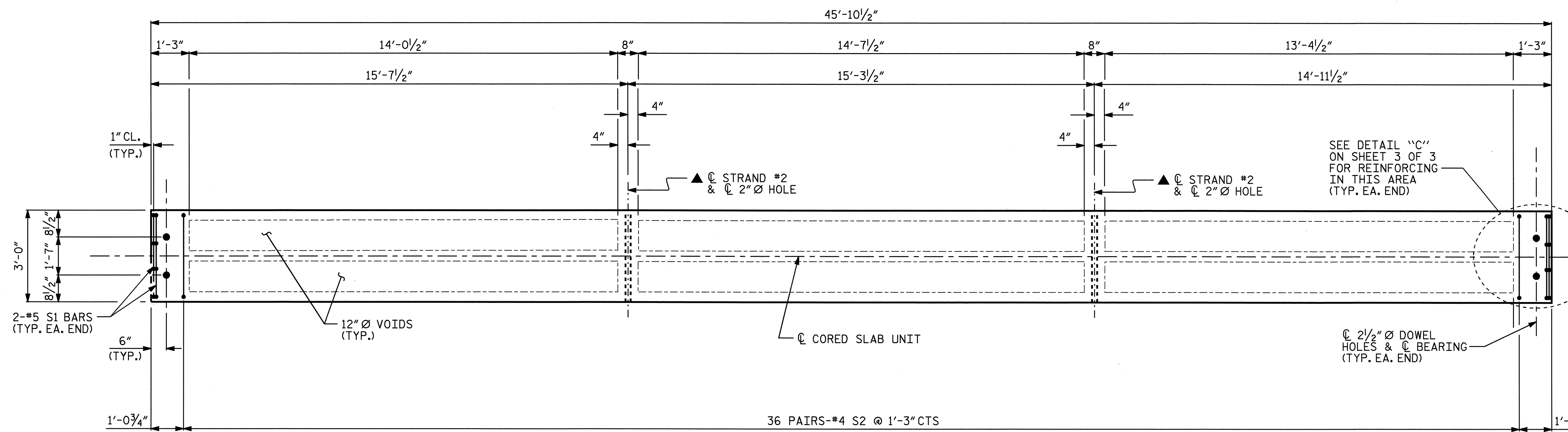
3'-0" X 1'-9"  
PRESTRESSED CONCRETE  
CORED SLAB UNIT  
DETAILS

REVISIONS						SHEET NO. S-11
NO.	BY:	DATE:	NO.	BY:	DATE:	
1			3			TOTAL SHEETS 44
2			4			



**PLAN OF TYPE III CORED SLAB UNIT (STAGE 1)**

2-BOLT TEMPORARY BARRIER ANCHOR ASSEMBLIES (10 REQ'D PER SPAN)  
(SEE SECTION OF ANCHOR ASSEMBLY LOCATION ON "TEMPORARY PRECAST CONCRETE "L" BARRIER DETAILS" SHEETS)



**PLAN OF TYPE IV CORED SLAB UNIT (STAGE 2)**

DRAWN BY: P.C. BREWER DATE: 10/2/03  
CHECKED BY: M. BRITT DATE: 11/4/03