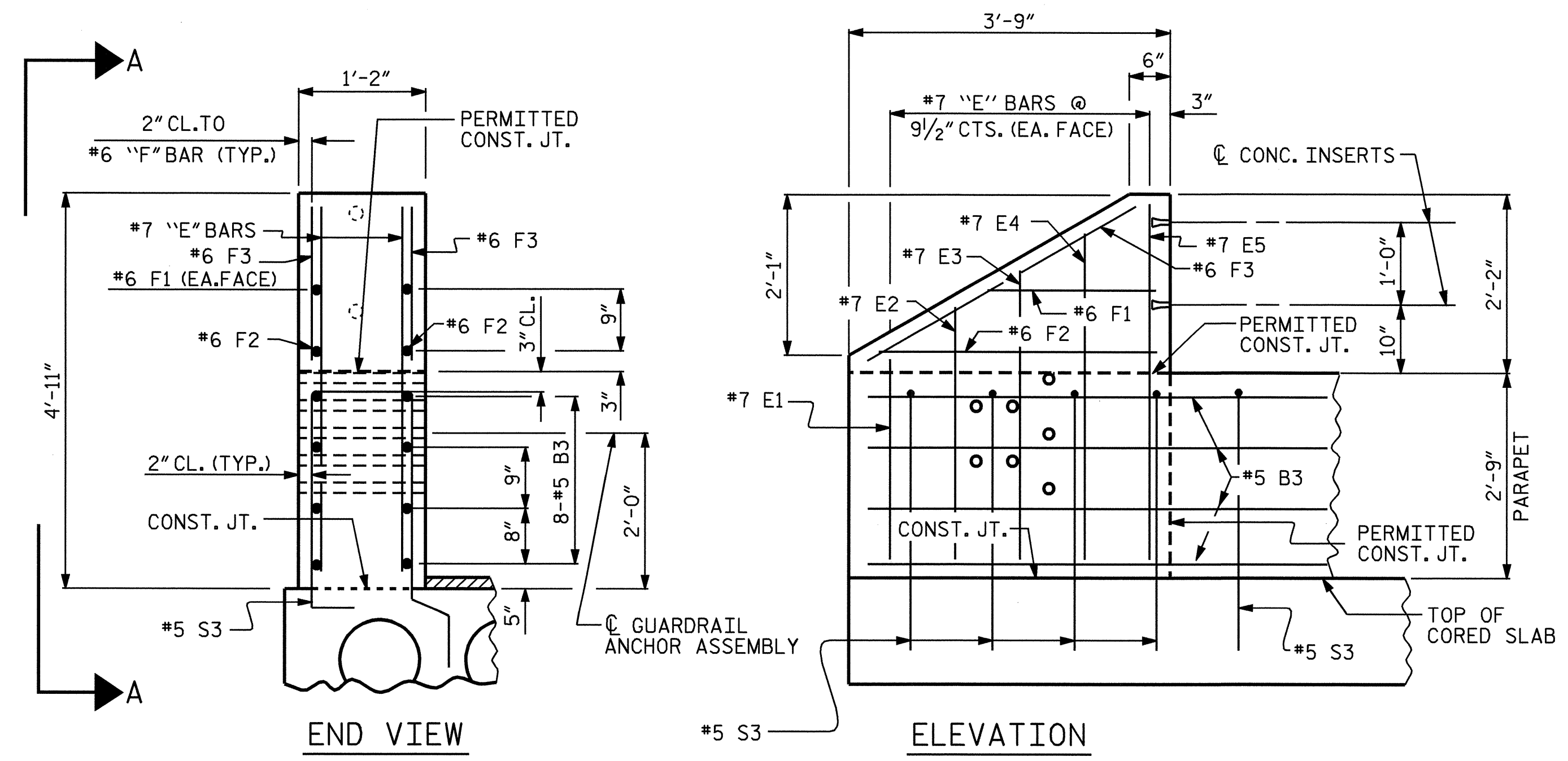
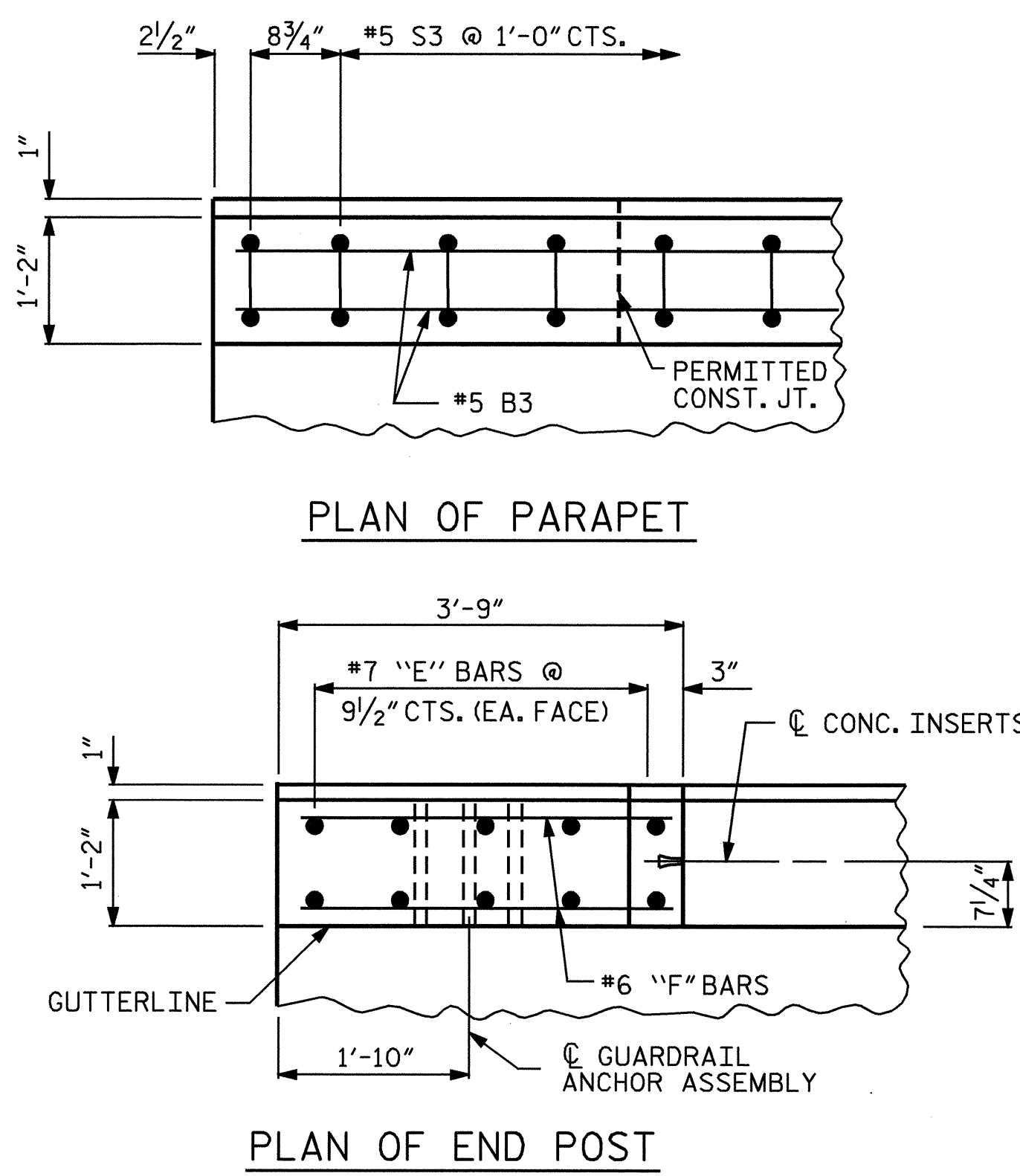
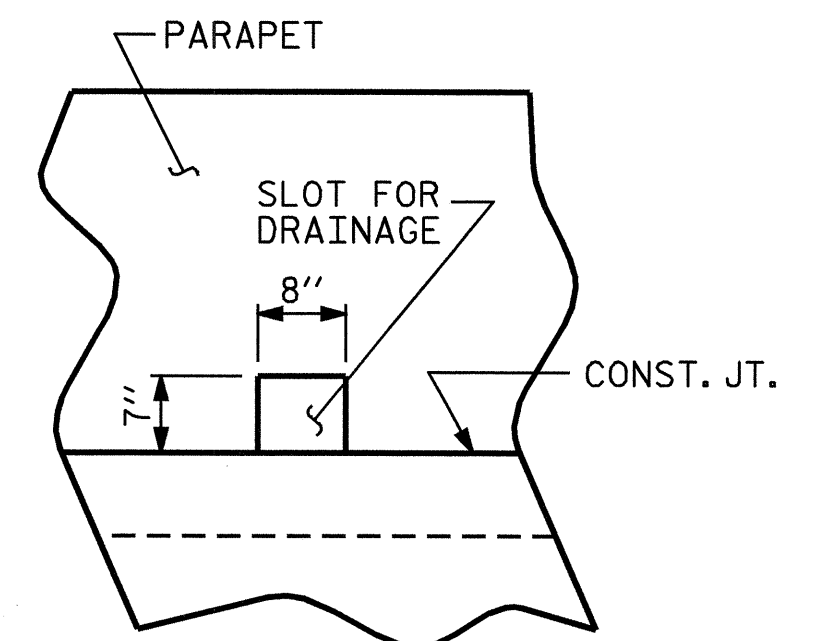


BILL OF MATERIAL					
PARAPET AND END POSTS					
BAR	NO.	SIZE	TYPE	LENGTH	WEIGHT
*B3	48	#5	STR	45'-6"	2278
*E1	8	#7	STR	2'-8"	44
*E2	8	#7	STR	3'-2"	52
*E3	8	#7	STR	3'-8"	60
*E4	8	#7	STR	4'-2"	68
*E5	8	#7	STR	4'-7"	75
*F1	8	#6	STR	1'-10"	22
*F2	8	#6	STR	3'-0"	36
*F3	8	#6	STR	3'-6"	42
* EPOXY COATED REINF. STEEL = 2677 LBS.					
CLASS AA CONCRETE					33.6 C.Y.
CONCRETE PARAPET					276.00 L.F.
* THESE BARS ARE EPOXY COATED					



PARAPET AND END POST FOR TWO BAR RAIL

NOTE:  
FOR CONCRETE INSERT DETAILS, SEE "RAIL POST SPACING AND END OF RAIL DETAILS" SHEET.



PROJECT NO. B-3349  
HYDE COUNTY  
STATION: 15+69.00 -L-

STATE OF NORTH CAROLINA  
DEPARTMENT OF TRANSPORTATION  
RALEIGH  
CONCRETE PARAPET  
DETAILS

REVISIONS				SHEET NO.	
NO.	BY:	DATE:	NO.	BY:	DATE:
1			3		
2			4		

TOTAL SHEETS: 44

DRAWN BY: P.C. BREWER DATE: 10/8/03  
CHECKED BY: M. BRITT DATE: 11/7/03