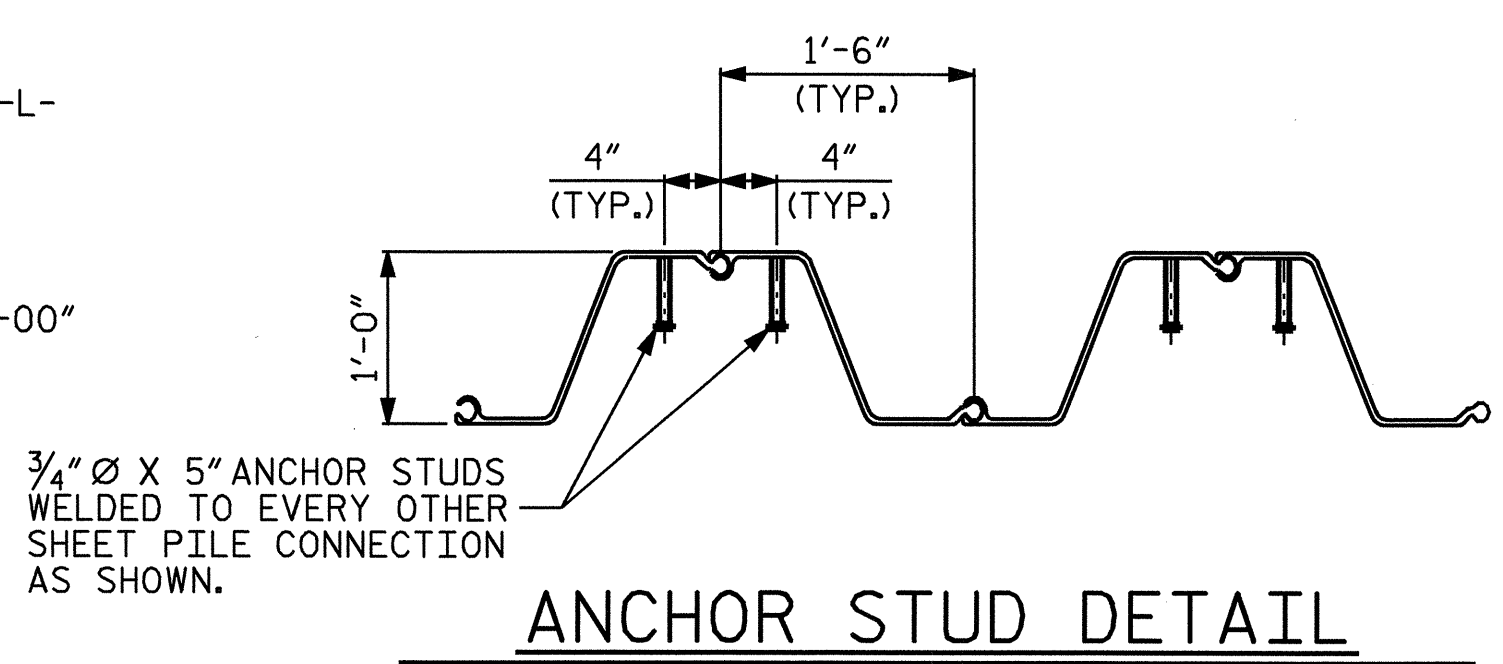
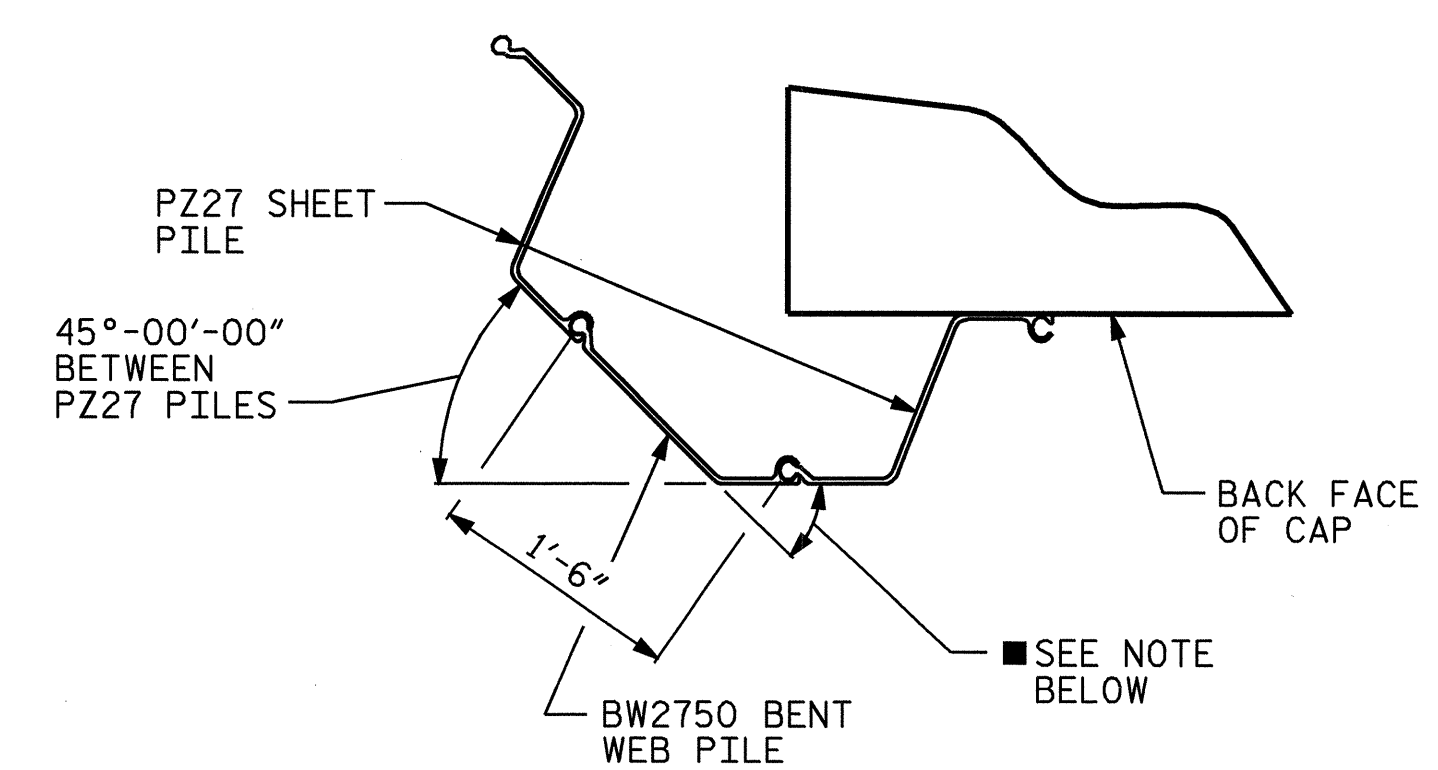


**PLAN (STAGE 1)**

(FOR CLARITY, BEARING PADS & DOWELS NOT SHOWN IN PLAN VIEW)

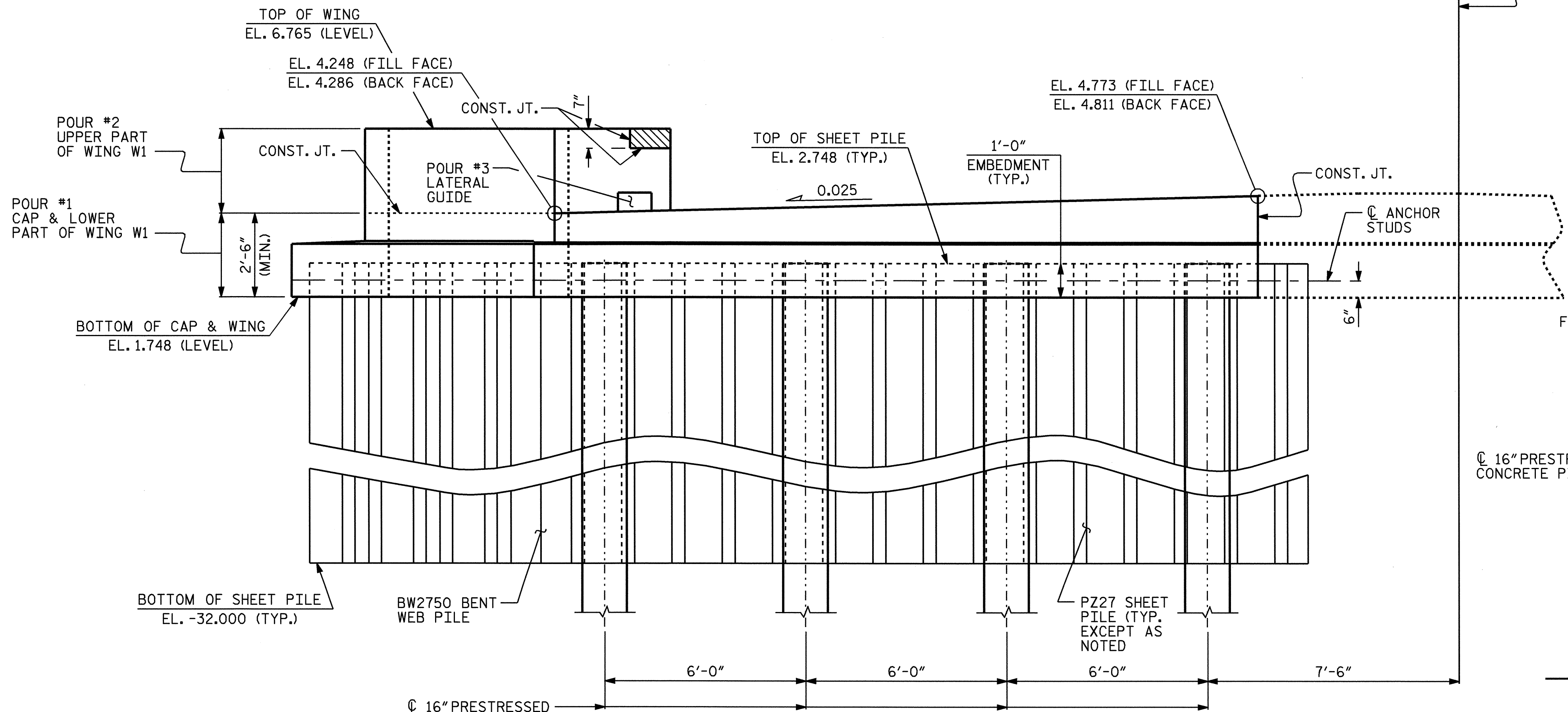


**ANCHOR STUD DETAIL**



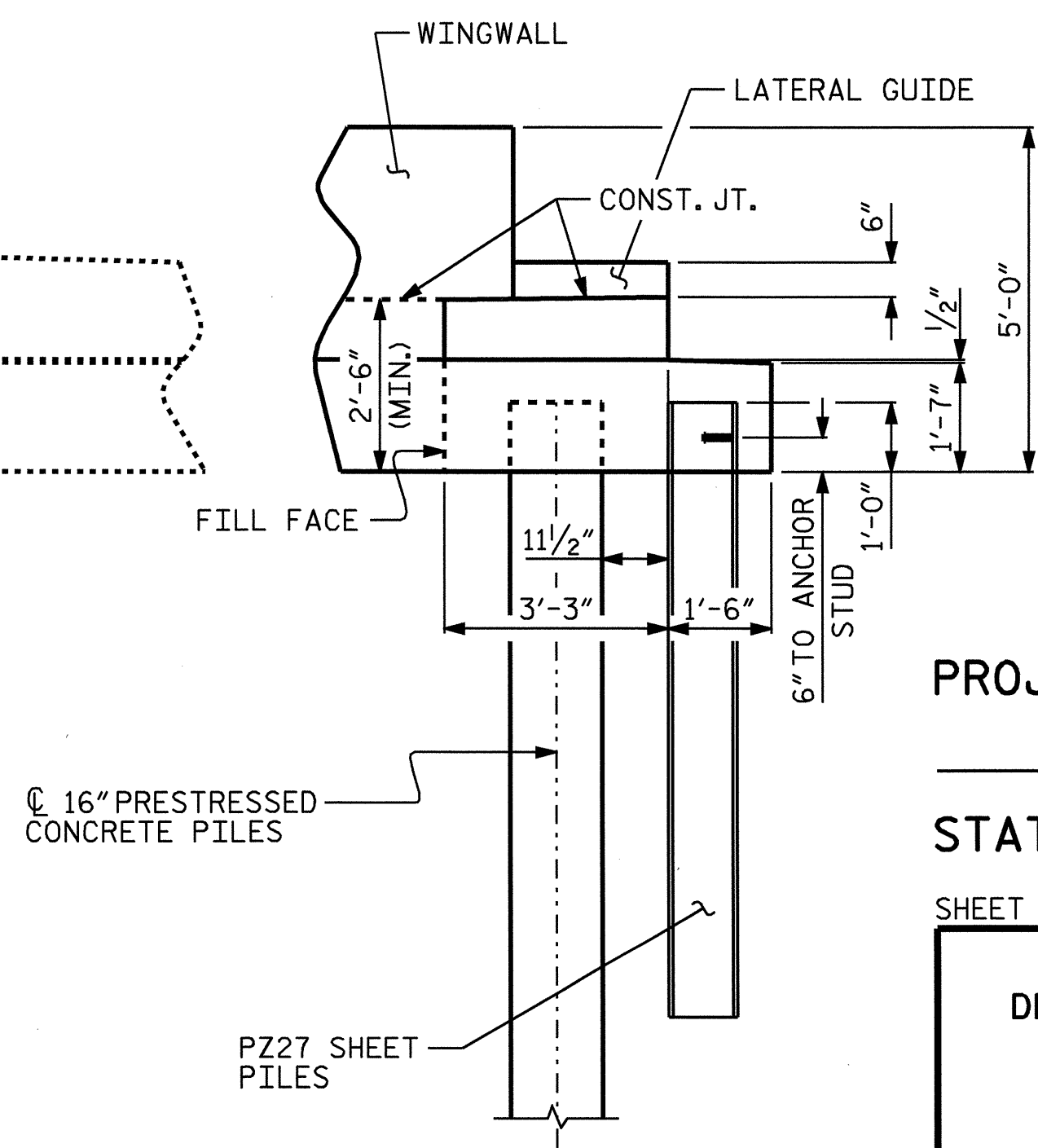
**DETAIL "C"**

NOTE: THE BEND IN THE BENT WEB PILE SHALL BE DETERMINED BY THE FABRICATOR.



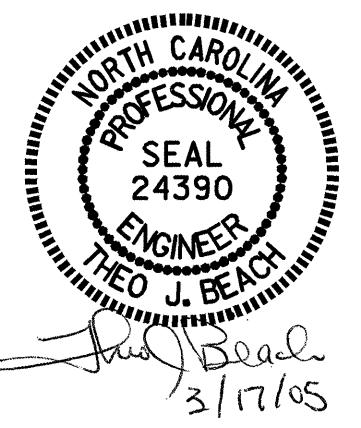
**ELEVATION (STAGE 1)**

(FOR REINFORCING STEEL IN CAP, SEE SHEET 2 OF 6)



**END ELEVATION**

(STAGE 1 SHOWN, STAGE 2 SIMILAR)



PROJECT NO. B-3349  
 COUNTY HYDE  
 STATION: 15+69.00 -L-

SHEET 1 OF 6  
 STATE OF NORTH CAROLINA  
 DEPARTMENT OF TRANSPORTATION  
 RALEIGH  
 SUBSTRUCTURE  
 END BENT No. 2  
 STAGE 1

REVISIONS						SHEET NO. S-35
NO.	BY:	DATE:	NO.	BY:	DATE:	
1			3			TOTAL SHEETS 44
2			4			

DRAWN BY : P.C. BREWER DATE : 2/8/05  
 CHECKED BY : S.B. WILLIAMS DATE : 2/21/05