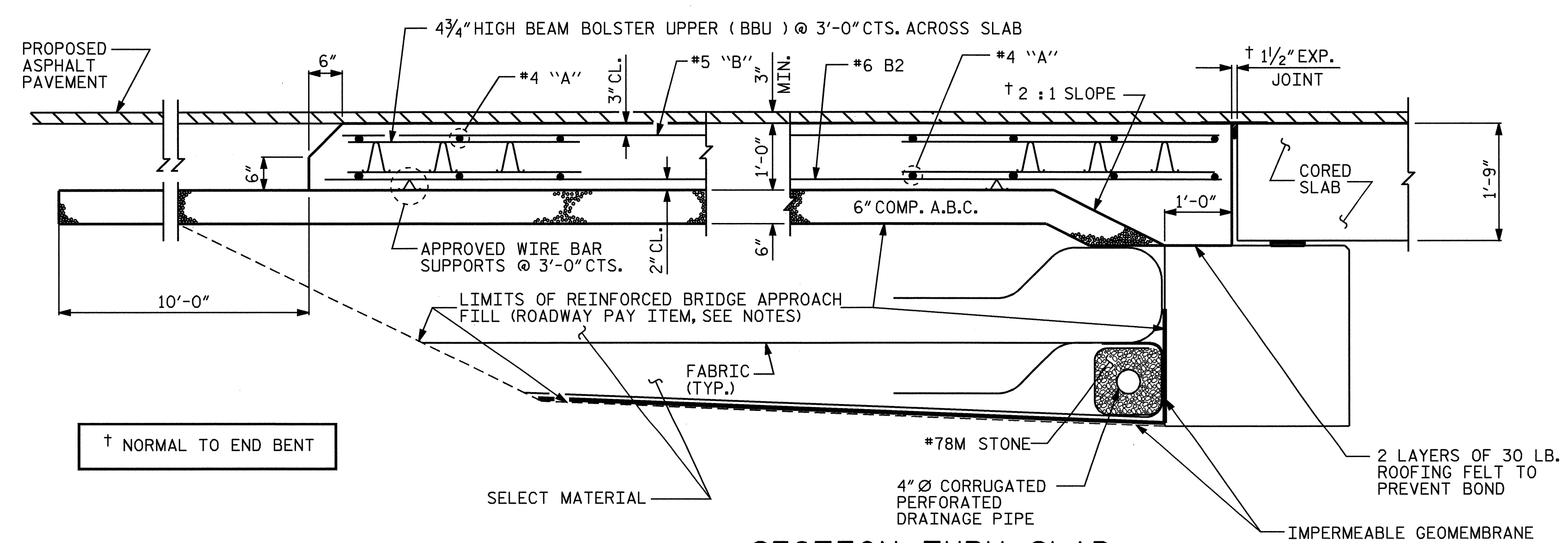


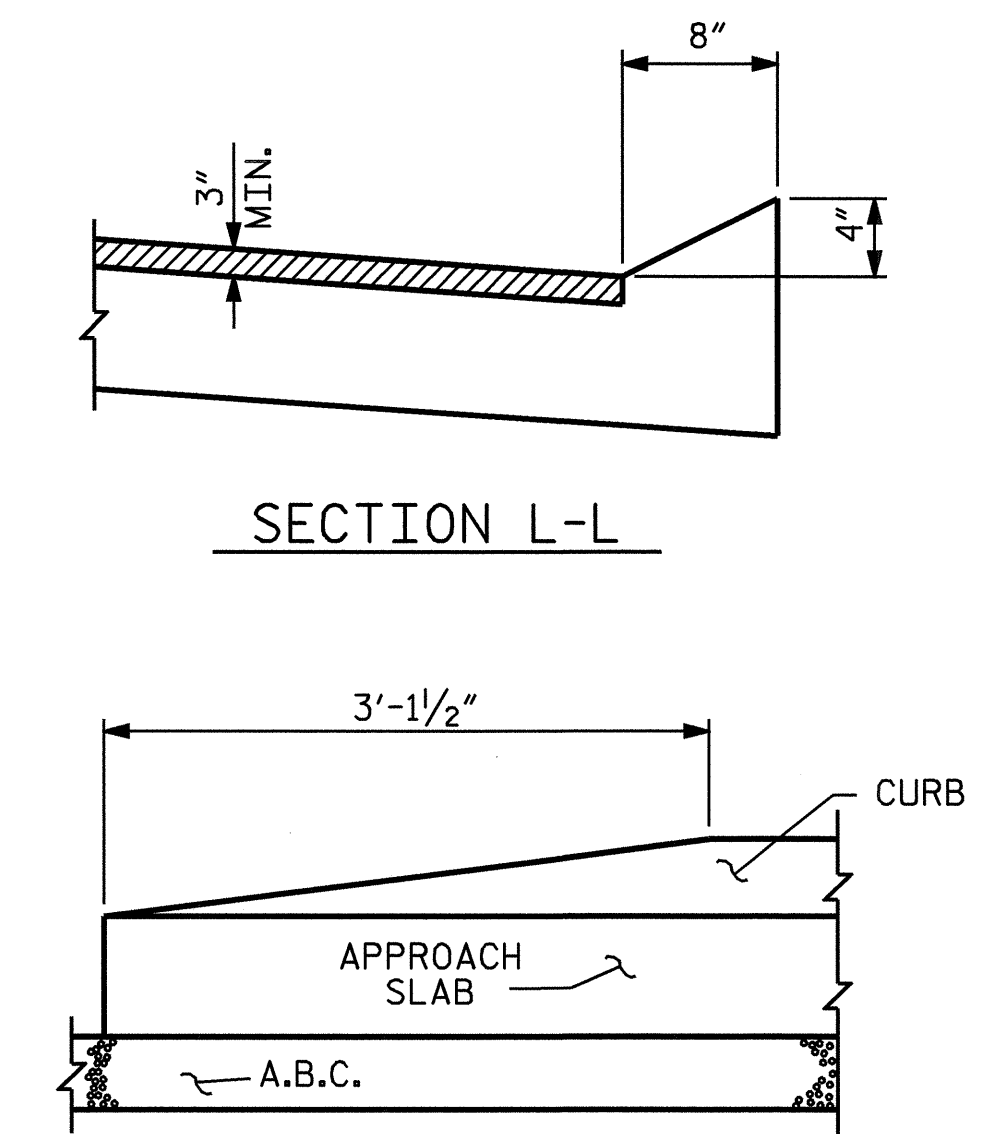
PLAN AT END BENT No. 1

PLAN AT END BENT No. 2

▲ THE #5 D1 BARS SHALL BE PLACED IN THE SAME HORIZONTAL PLANE AS THE #4 A1 BARS. THE #5 D1 BARS SHALL PROJECT 1'-6" INTO STAGE 2 CONSTRUCTION.



SECTION THRU SLAB



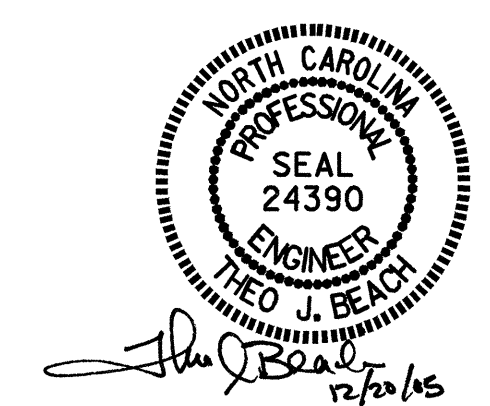
END OF CURB WITHOUT SHOULDER BERM GUTTER

CURB DETAILS

BILL OF MATERIAL						
FOR ONE APPROACH SLAB (2 REQ'D) STAGE 1						
BAR NO.	NO.	SIZE	TYPE	LENGTH	WEIGHT	
*A1	25	4	STR	17'-1"	285	
A2	25	4	STR	17'-1"	285	
*B1	35	5	STR	24'-2"	882	
B2	35	6	STR	24'-8"	1297	
*D1	16	5	STR	3'-0"	50	
REINFORCING STEEL					1,582	LBS.
* EPOXY COATED REINFORCING STEEL					1,217	LBS.
CLASS AA CONCRETE					17.3	C.Y.
FOR ONE APPROACH SLAB (2 REQ'D) STAGE 2						
BAR NO.	NO.	SIZE	TYPE	LENGTH	WEIGHT	
*A3	25	4	STR	26'-1"	436	
A4	25	4	STR	26'-1"	436	
*B1	53	5	STR	24'-2"	1336	
B2	53	6	STR	24'-8"	1964	
REINFORCING STEEL					2,400	LBS.
* EPOXY COATED REINFORCING STEEL					1,772	LBS.
CLASS AA CONCRETE					26.0	C.Y.

DRAWN BY : P.C. BREWER DATE : 2/12/04  
 CHECKED BY : S.B. WILLIAMS DATE : 4/14/04

19-DEC-2005 15:49  
 R:\STRUCT\153349\pbrewer\153349\_02.DGN  
 tbeach



PROJECT NO. B-3349  
 HYDE COUNTY  
 STATION: 15+69.00 -L-

SHEET 1 OF 2  
 DEPARTMENT OF TRANSPORTATION  
 RALEIGH  
 STANDARD  
 BRIDGE APPROACH SLAB  
 FOR PRESTRESSED CONCRETE  
 CORED SLAB

REVISIONS						SHEET NO.
NO.	BY:	DATE:	NO.	BY:	DATE:	S-43
1			3			TOTAL SHEETS
2			4			44