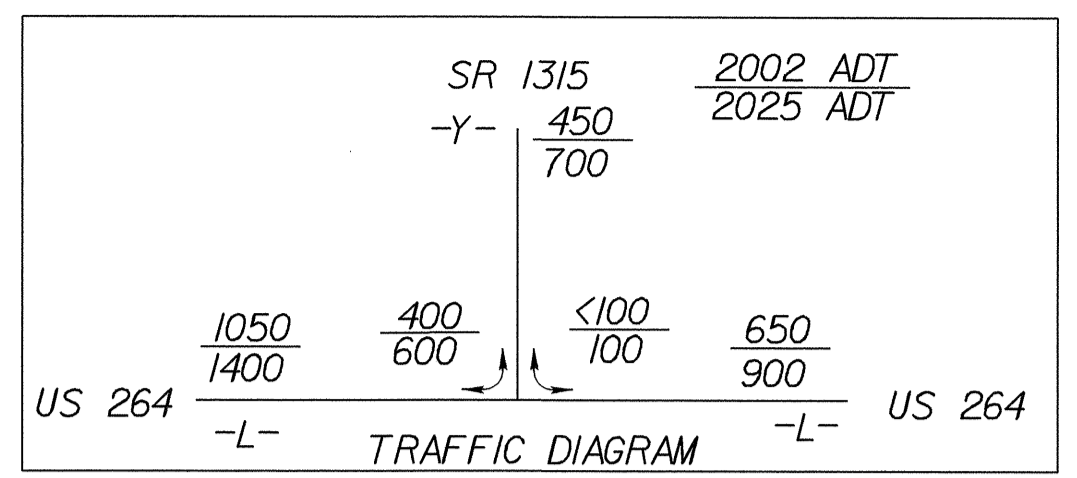
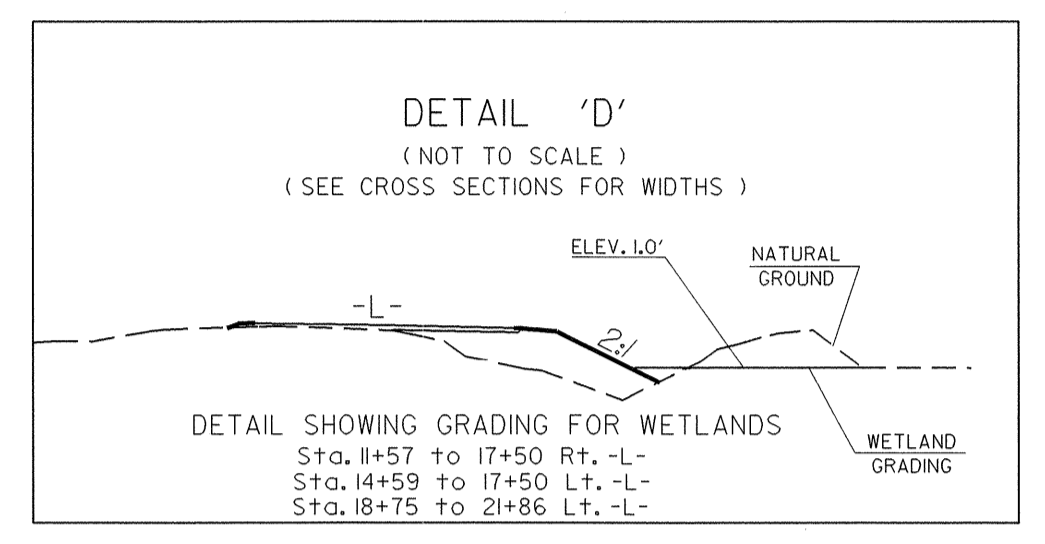


DATUM DESCRIPTION
 THE LOCALIZED COORDINATE SYSTEM DEVELOPED FOR THIS PROJECT IS BASED ON THE STATE PLANE COORDINATES ESTABLISHED BY NCSS FOR MONUMENT "CUTHRELL"
 WITH NAD 83 STATE PLANE GRID COORDINATES OF
 NORTHING: 654262.2184(Ft) EASTING: 2893025.5492(Ft)
 THE AVERAGE COMBINED GRID FACTOR USED ON THIS PROJECT (GROUND TO GRID) IS: 0.998828
 THE N.C. LAMBERT GRID BEARING AND LOCALIZED HORIZONTAL GROUND DISTANCE FROM "CUTHRELL" TO -L- Sta. 10+00.00 IS
 N 53°54'48.87" E 1917.57'
 ALL LINEAR DIMENSIONS ARE LOCALIZED HORIZONTAL DISTANCES
 VERTICAL DATUM USED IS NGVD 29

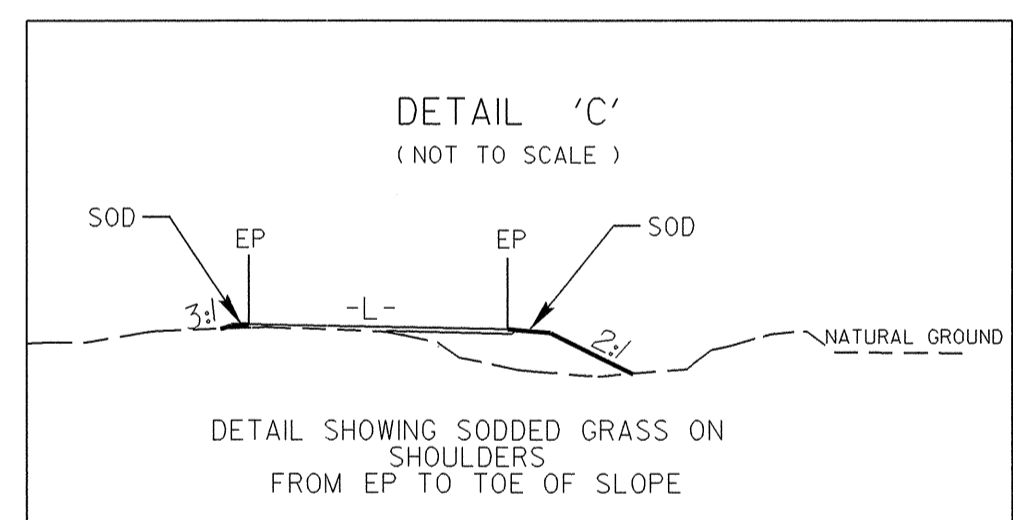


-DR-
 PI Sta 11+08.84 Δ = 87° 21' 28.8" (LT) D = 114' 35" 29.6" L = 76.23' T = 47.75' R = 50.00' SE = NC
 PI Sta 10+43.99 Δ = 88° 05' 28.0" (RT) D = 190' 59" 09.4" L = 46.12' T = 29.02' R = 30.00' SE = NC



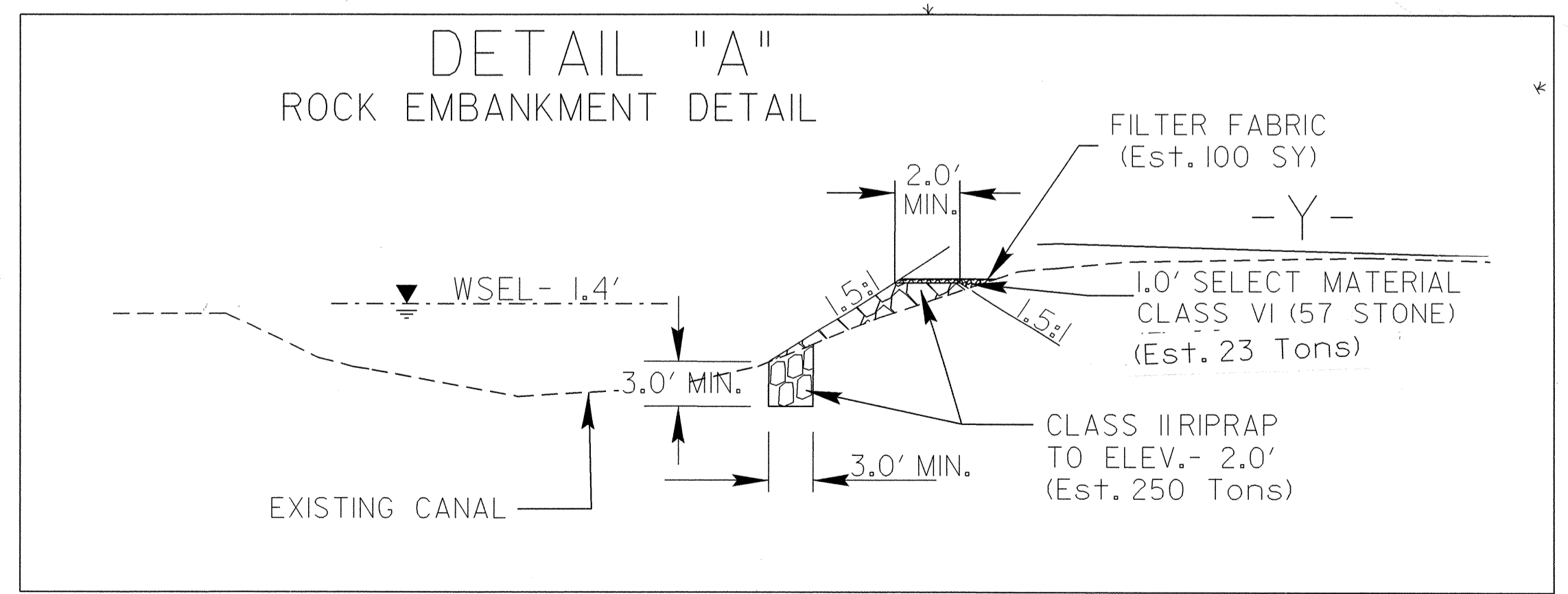
FROM STA. 10+00-L- TO STA. 18+09 -L- LT. & RT.
 FROM STA. 18+59 -L- TO STA. 21+83.94 -L- LT. & RT.
BEGIN STATE PROJECT No. B-3348
 -L- POT Sta. 10+00.00

-L-
 PI Sta 12+95.86 Δ = 5° 07' 21" (RT) D = 1' 08' 45.3" L = 447.03' T = 223.66' R = 5,000.00' SE = 0.03 RO = 78'
 PI Sta 16+37.71 Δ = 1° 21' 27.5" (LT) D = 0' 34' 22.6" L = 236.95' T = 118.48' R = 10,000.00' SE = NC

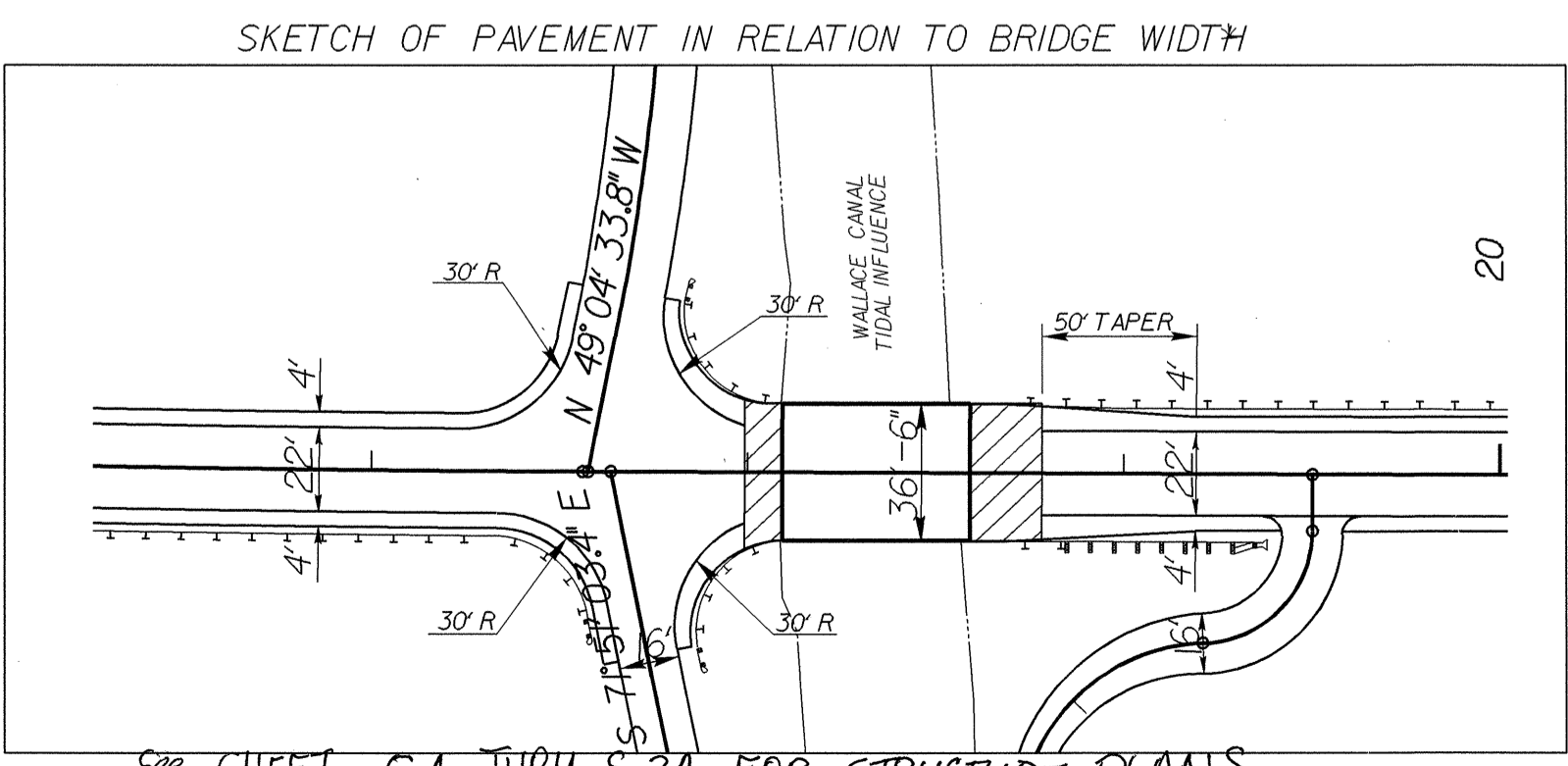


FROM STA. 10+00-L- TO STA. 18+09 -L- LT. & RT.
 FROM STA. 18+59 -L- TO STA. 21+83.94 -L- LT. & RT.

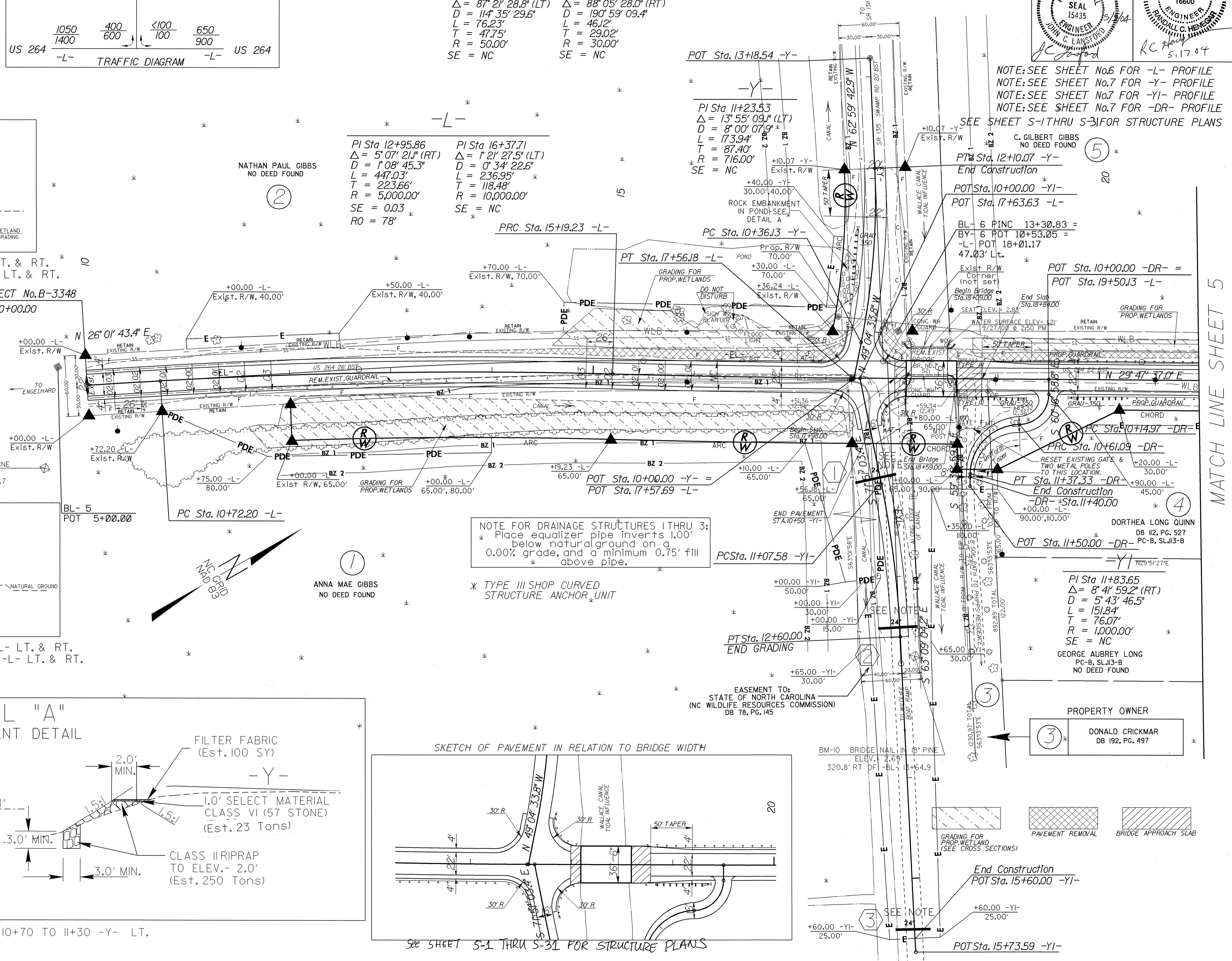
NOTE FOR DRAINAGE STRUCTURES ITHRU 3:
 * Place equalizer pipe inverts 1.00' below natural ground on a 0.00% grade, and a minimum 0.75' fill above pipe.



FROM STA. 10+70 TO 11+30 -Y- LT.



See SHEET S-1 THRU S-31 FOR STRUCTURE PLANS



NOTE: SEE SHEET No.6 FOR -L- PROFILE
 NOTE: SEE SHEET No.7 FOR -Y- PROFILE
 NOTE: SEE SHEET No.7 FOR -YI- PROFILE
 NOTE: SEE SHEET No.7 FOR -DR- PROFILE
 SEE SHEET S-1 THRU S-31 FOR STRUCTURE PLANS

MATCH LINE SHEET 5