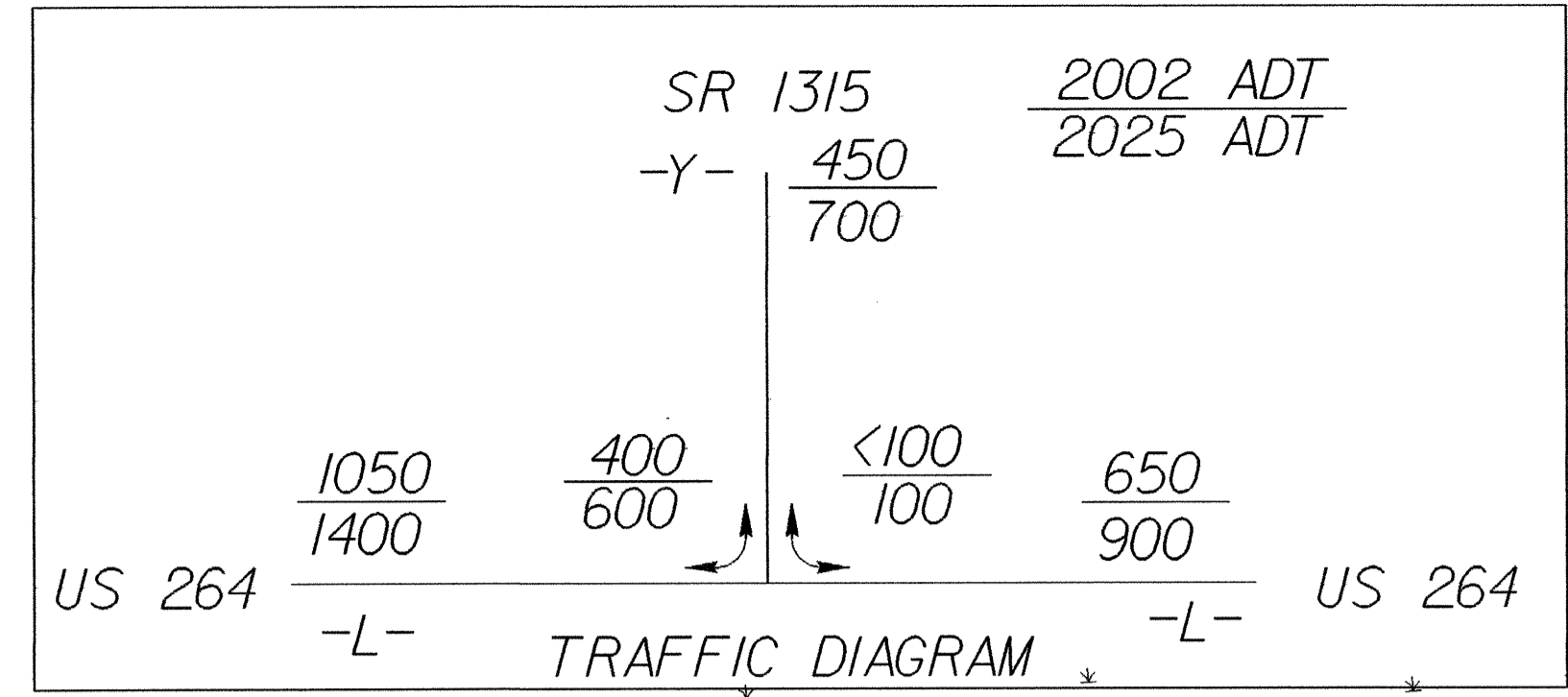


PROJECT REFERENCE NO.	SHEET NO.
B-3348	EC-5/CONST.4
RW SHEET NO.	
ROADWAY DESIGN ENGINEER	HYDRAULICS ENGINEER

DATUM DESCRIPTION
 THE LOCALIZED COORDINATE SYSTEM DEVELOPED FOR THIS PROJECT IS BASED ON THE STATE PLANE COORDINATES ESTABLISHED BY MOSS FOR MONUMENT "CUTHRELL" WITH NAD 83 STATE PLANE GRID COORDINATES OF NORTHING: 654262.2184(ft) EASTING: 2893025.5492(ft) THE AVERAGE COMBINED GRID FACTOR USED ON THIS PROJECT (GROUND TO GRID) IS: 0.999828 THE N.C. LAMBERT GRID BEARING AND LOCALIZED HORIZONTAL GROUND DISTANCE FROM "CUTHRELL" TO L- Sta. 10+00.00 IS ALL LINEAR DIMENSIONS ARE LOCALIZED HORIZONTAL DISTANCES VERTICAL DATUM USED IS NGVD 29



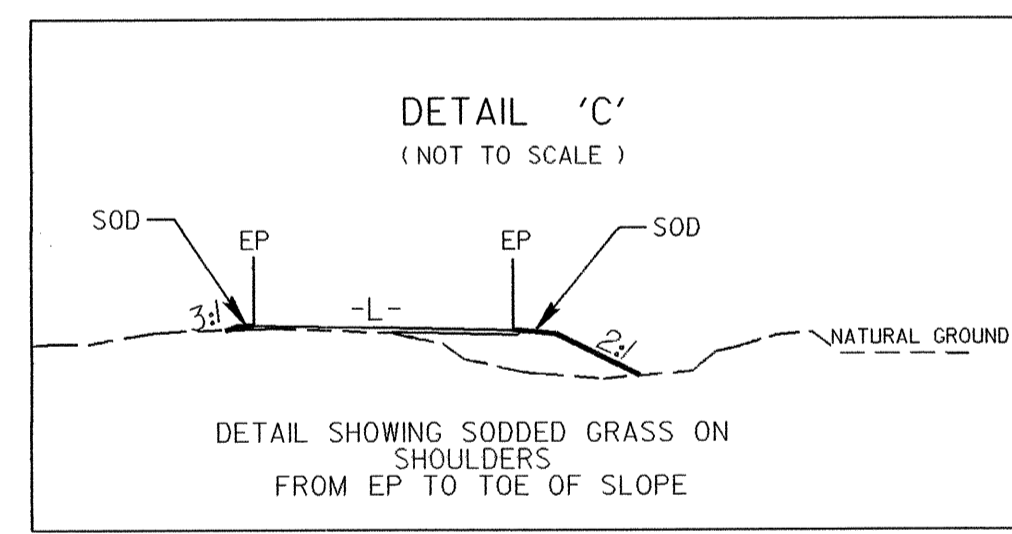
-DR-
 PI Sta 11+08.84 Δ = 87° 21' 28.8" (LT) D = 114' 35" 29.6" L = 76.23' T = 47.75' R = 50.00' SE = NC
 PI Sta 10+43.99 Δ = 88° 05' 28.0" (RT) D = 190' 59" 09.4" L = 46.12' T = 29.02' R = 30.00' SE = NC

NOTE:
 TEMPORARY SILT FENCE SHALL BE INSTALLED A MINIMUM OF 3 FEET FROM TOE OF FILL IN WETLAND AREAS

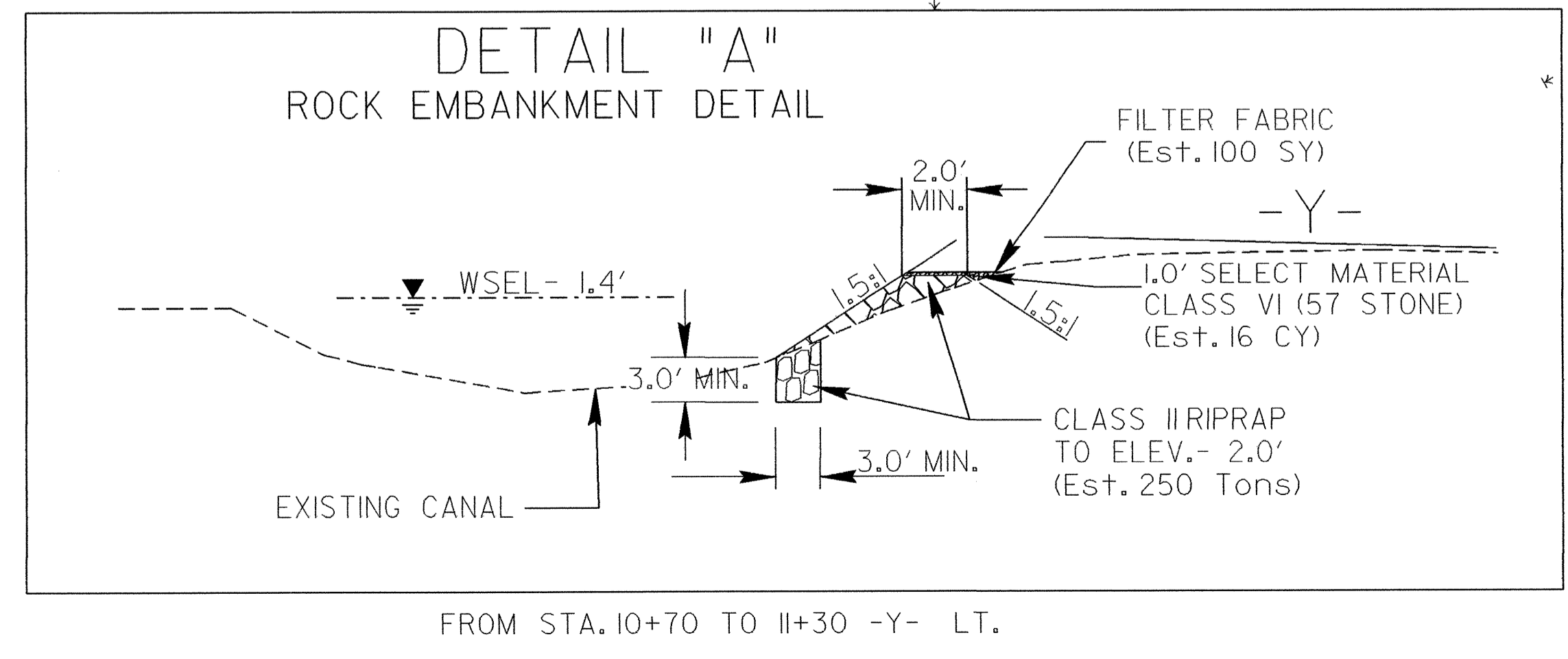
PI Sta 12+95.86 Δ = 5° 07' 21" (RT) D = 1' 08" 45.3" L = 447.03' T = 223.66' R = 5,000.00' SE = 0.03 RO = 78'
 PI Sta 16+37.71 Δ = 1° 21' 27.5" (LT) D = 0' 34" 22.6" L = 236.95' T = 118.48' R = 10,000.00' SE = NC

NOTE: SEE SHEET No.6 FOR -L- PROFILE
 NOTE: SEE SHEET No.7 FOR -Y- PROFILE
 NOTE: SEE SHEET No.7 FOR -YI- PROFILE
 NOTE: SEE SHEET No.7 FOR -DR- PROFILE
 SEE SHEET S-1 THRU S- FOR STRUCTURE PLANS

NOTE:
 UTILIZE TEMPORARY ROCK SILT CHECK TYPE - A AS STILLING BASIN WHERE APPLICABLE.



FROM STA. 10+00-L- TO STA. 18+09 -L- LT. & RT.
 FROM STA. 18+59 -L- TO STA. 21+83.94 -L- LT. & RT.



FROM STA. 10+70 TO 11+30 -Y- LT.

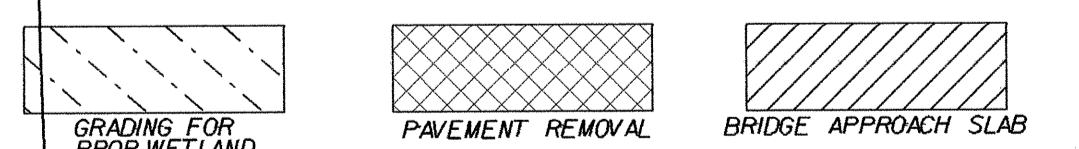
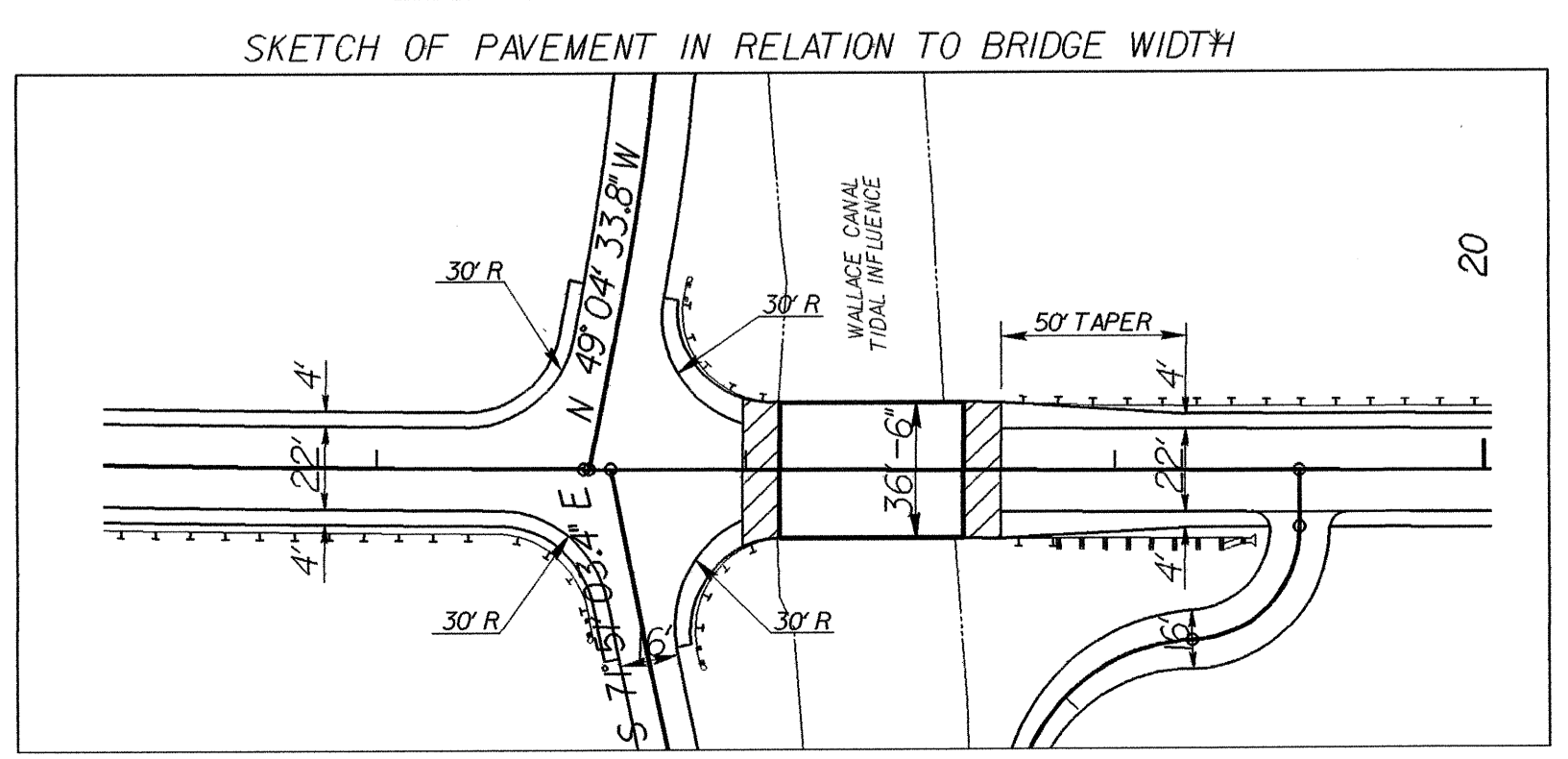
NOTE: Place inverts of equalizer pipes at a maximum elevation of 1.00' on a 0.00% grade, and a minimum 0.75' cover over pipe.

SPECIAL SHOP CURVED ANCHOR UNIT

C. GILBERT GIBBS NO DEED FOUND

PROPERTY OWNERS:
 3 KENNETH W. PHIPPS DB 146, PG. 746 PC-C, SL. 181

EASEMENT TO: STATE OF NORTH CAROLINA (NC WILDLIFE RESOURCES COMMISSION) DB 78, PG. 145



End Construction
 POT Sta. 15+60.00 -YI-

+60.00 -YI- 25.00'
 POT Sta. 15+73.59 -YI-

MATCH LINE SHEET 5