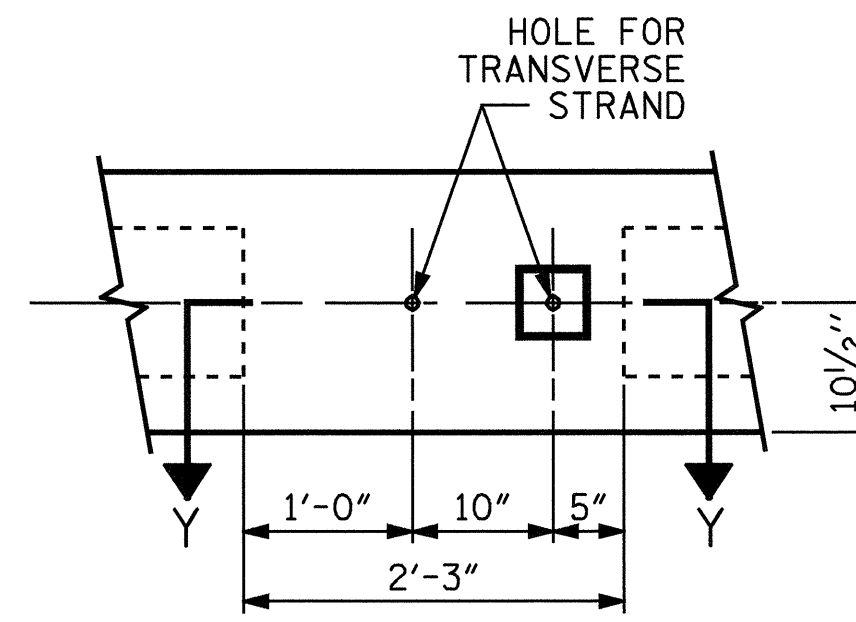
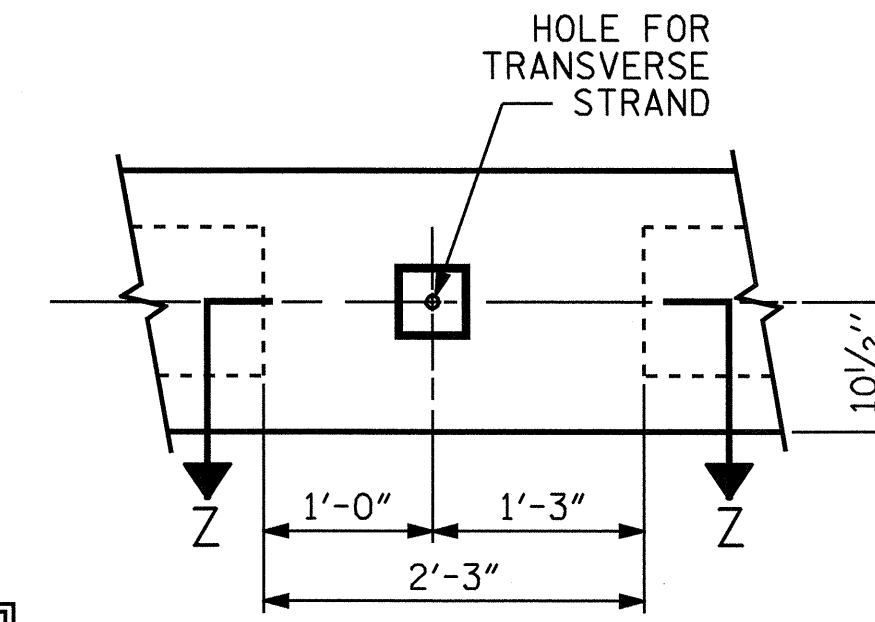


VIEW A-A
(SEE PLAN OF SPANS)

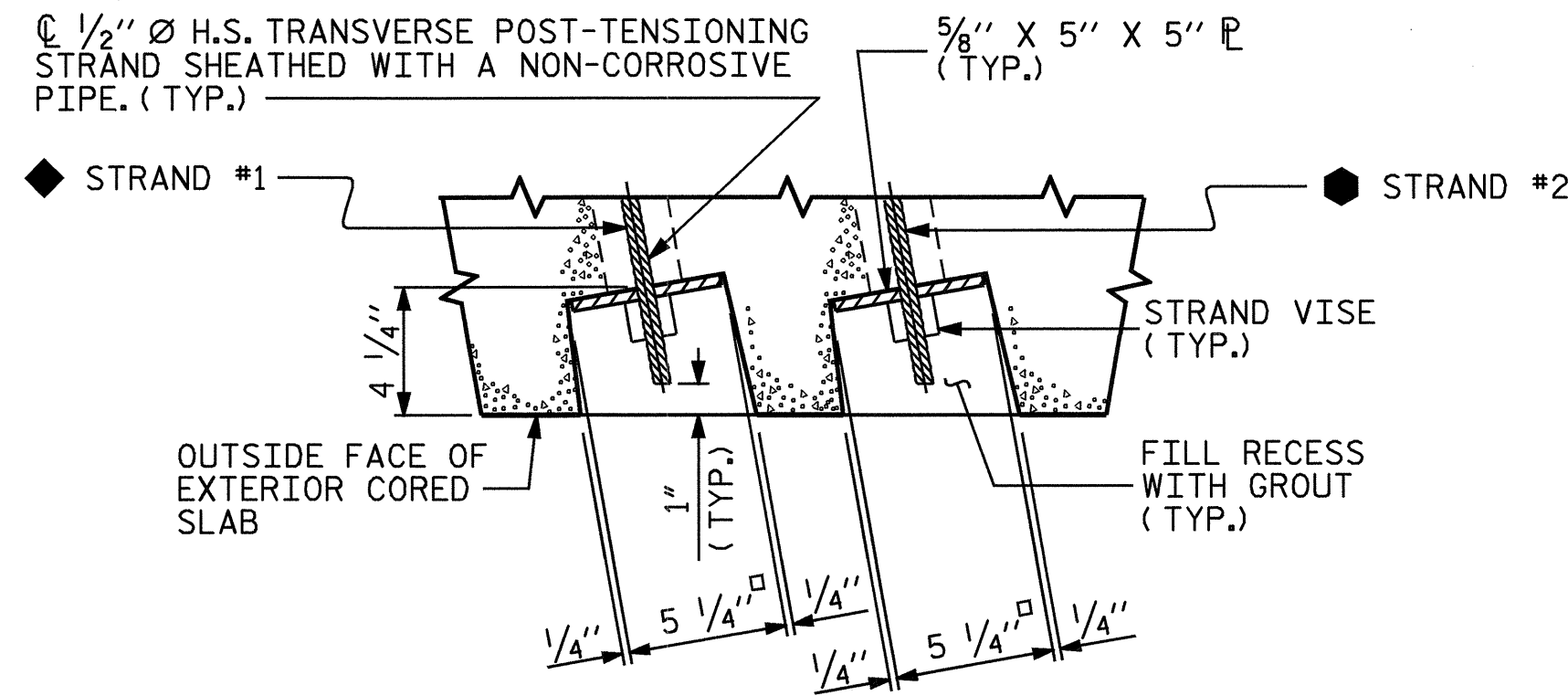


VIEW B-B
(SEE PLAN OF SPANS)

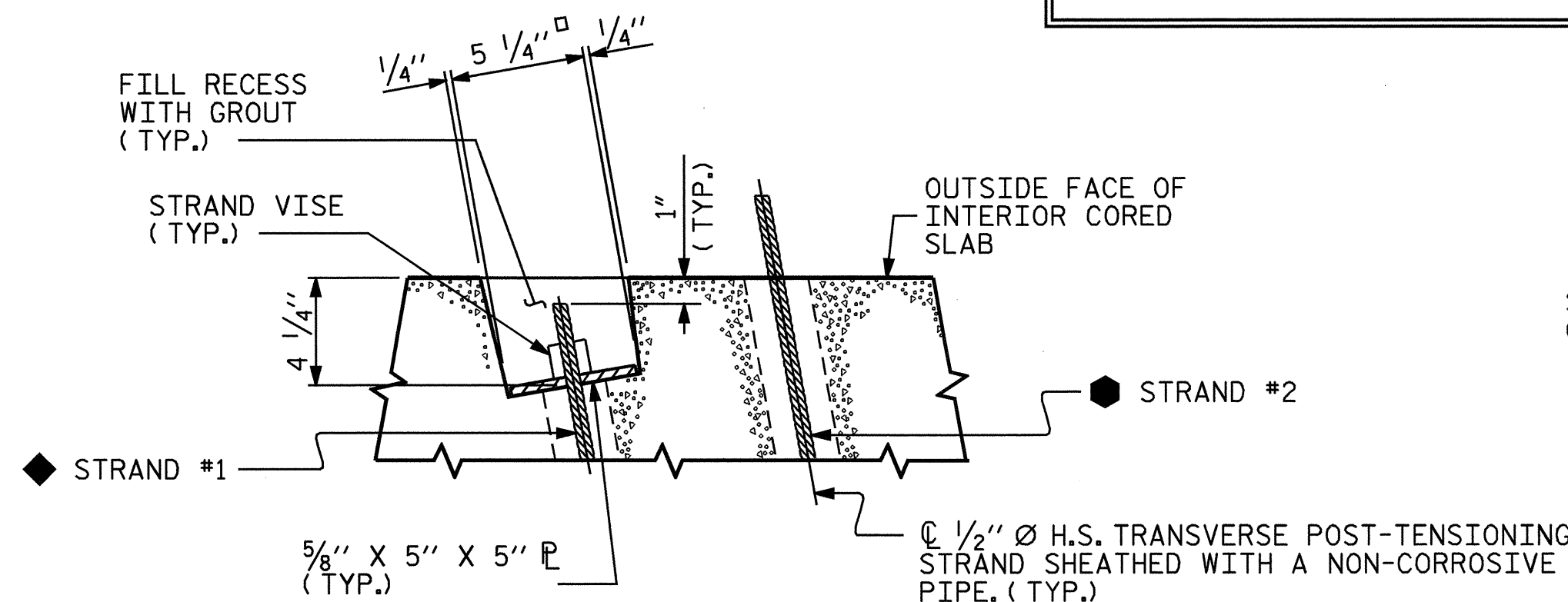


VIEW C-C
(SEE PLAN OF SPANS)

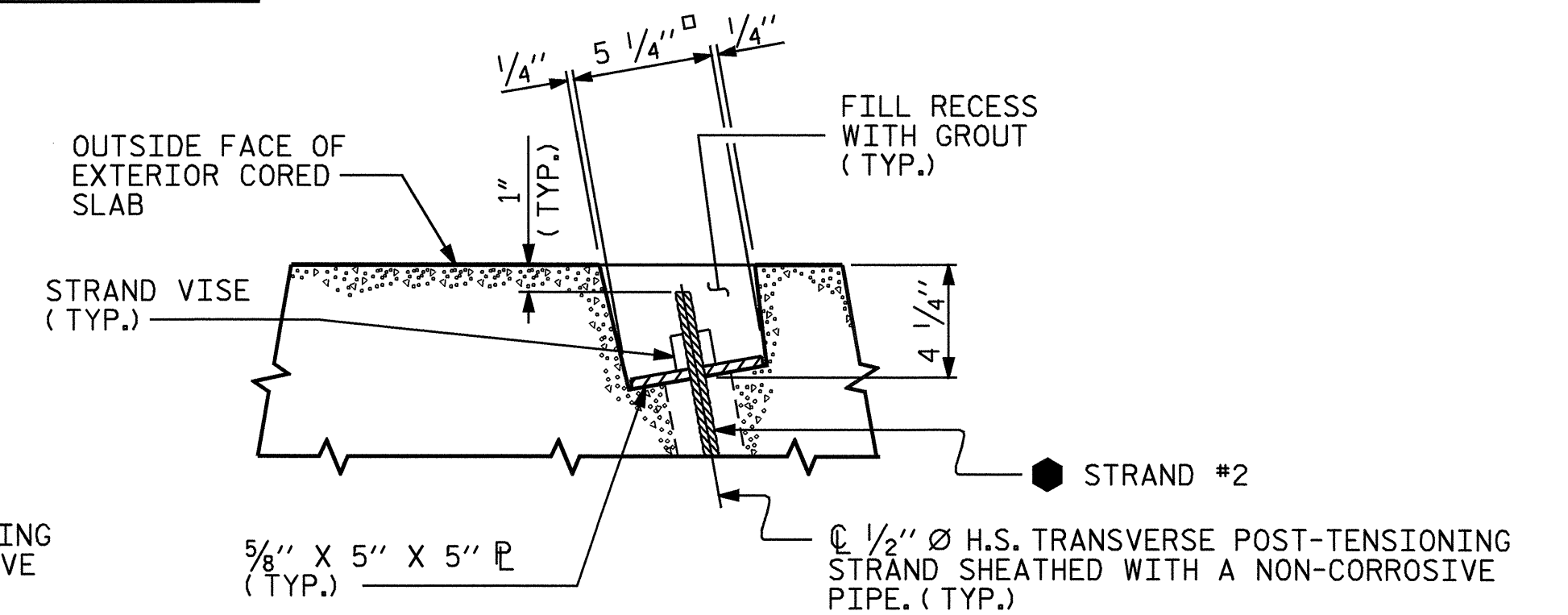
◆ STRAND #1 GOES THRU 7 CORED SLAB UNITS FOR STAGE 1 CONSTRUCTION.
 ● STRAND #2 GOES THRU ALL 18 CORED SLAB UNITS FOR STAGES 1 & 2 CONSTRUCTION.



SECTION X-X
(TYPE II EXT. UNIT - STAGE 1)

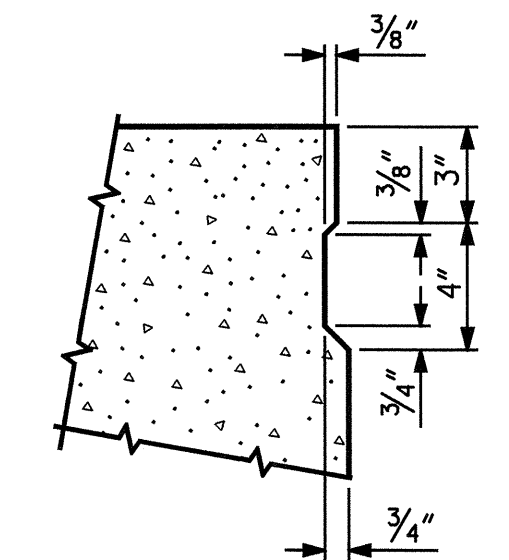


SECTION Y-Y
(TYPE III UNIT - STAGE 1)

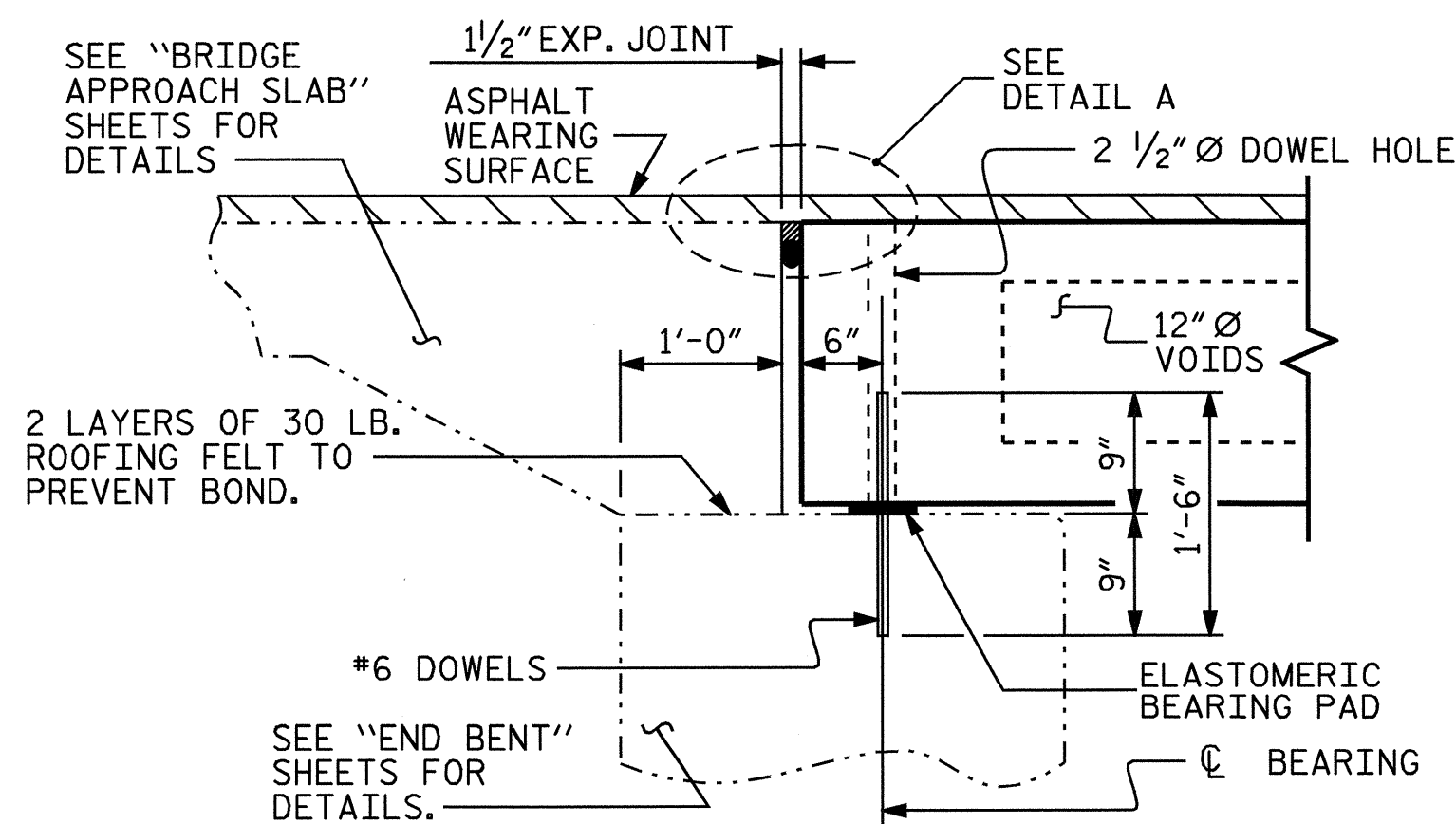


SECTION Z-Z
(TYPE III EXT. UNIT - STAGE 2)

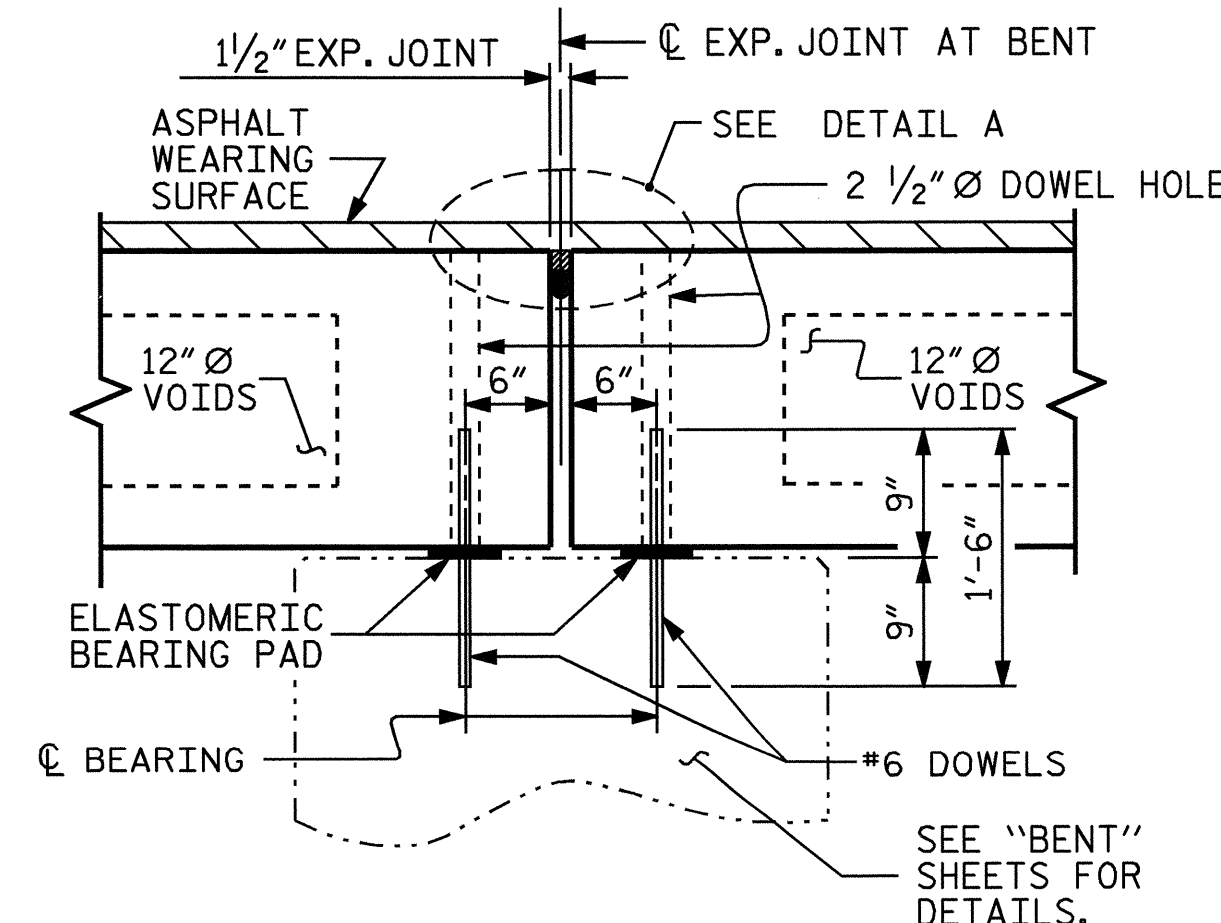
GROUTED RECESS AT END OF POST-TENSIONED STRAND CORED SLABS



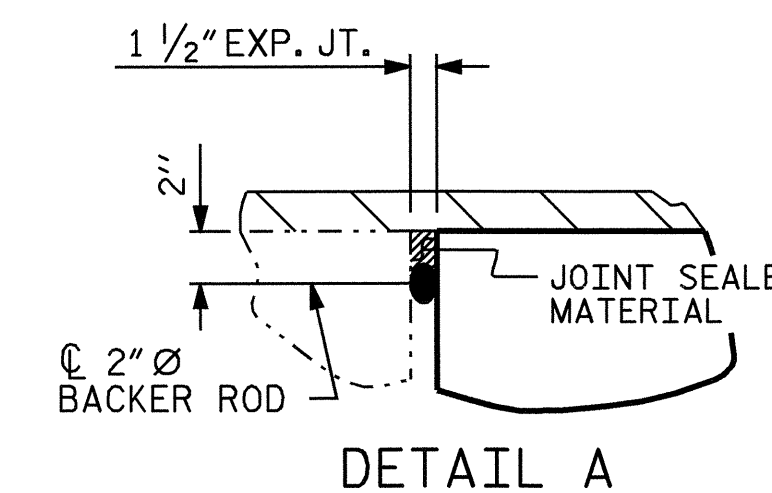
SHEAR KEY DETAIL
NOTE: OMIT SHEAR KEY ON OUTSIDE FACE OF EXTERIOR CORED SLAB.



SECTION AT END BENT



SECTION AT BENTS

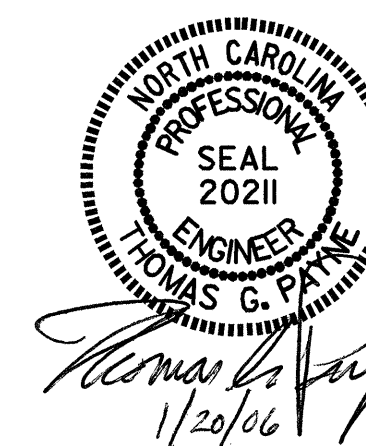


DETAIL A

PROJECT NO. B-3445
 CURRITUCK COUNTY
 STATION: 24+18.00 -L-

SHEET 3 OF 3

STATE OF NORTH CAROLINA
 DEPARTMENT OF TRANSPORTATION
 RALEIGH
 SUPERSTRUCTURE
 TYPICAL SECTIONS



DRAWN BY: M. J. OSTRISHKO DATE: 1-12-02
 CHECKED BY: K. D. LAYNE DATE: 1-18-02

20-JAN-2006 10:39
 R:\STRUCTURE\B3445\Final\plans\B344501.ctb
 Tpayne

REVISIONS						SHEET NO.
NO.	BY:	DATE:	NO.	BY:	DATE:	S-7
1			3			TOTAL SHEETS
2			4			44