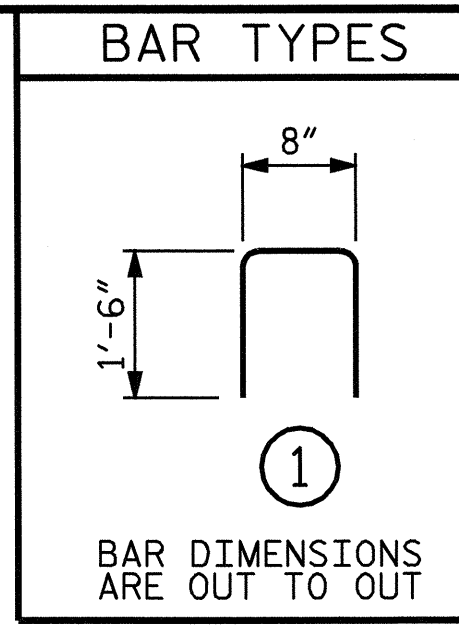
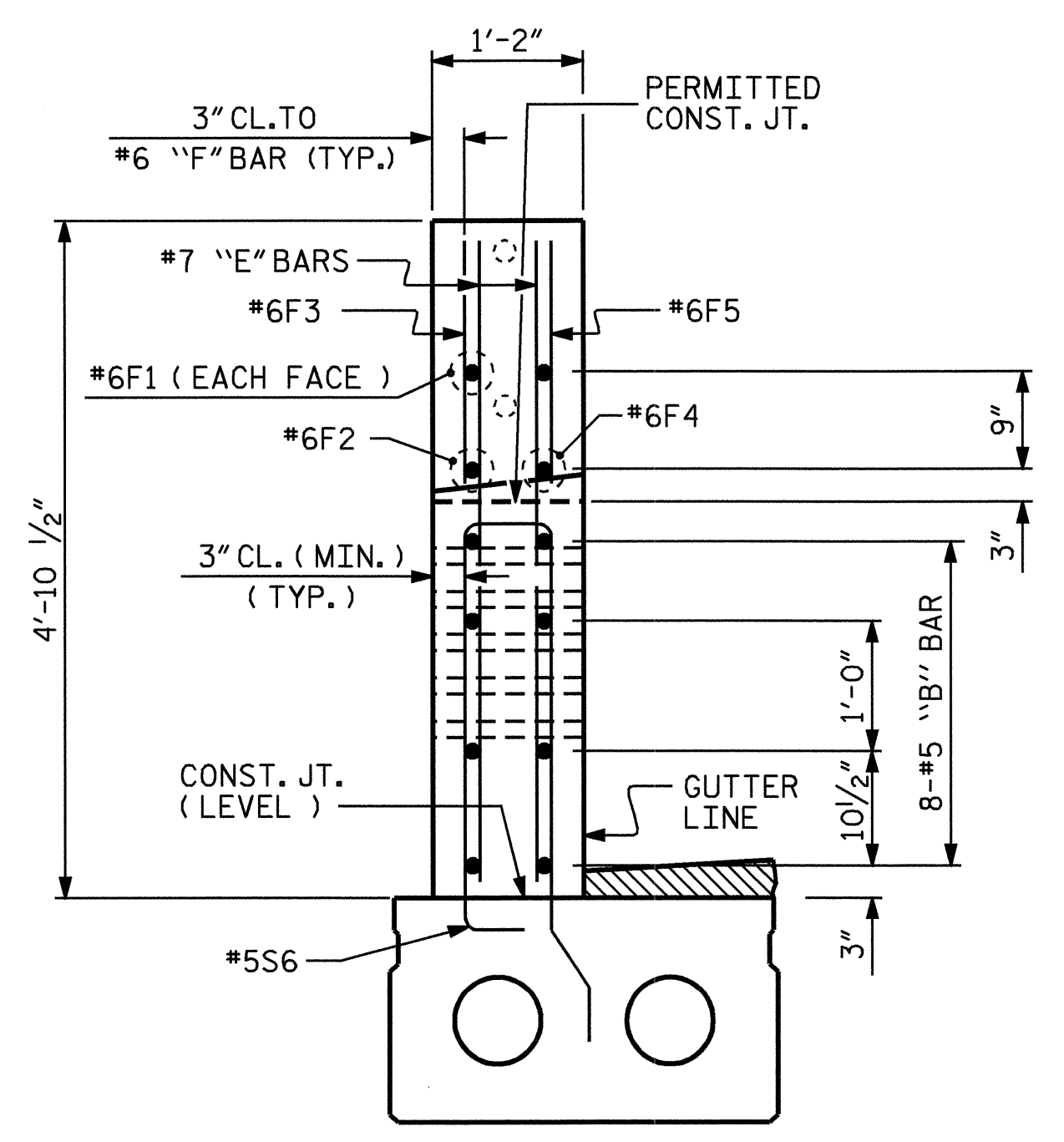


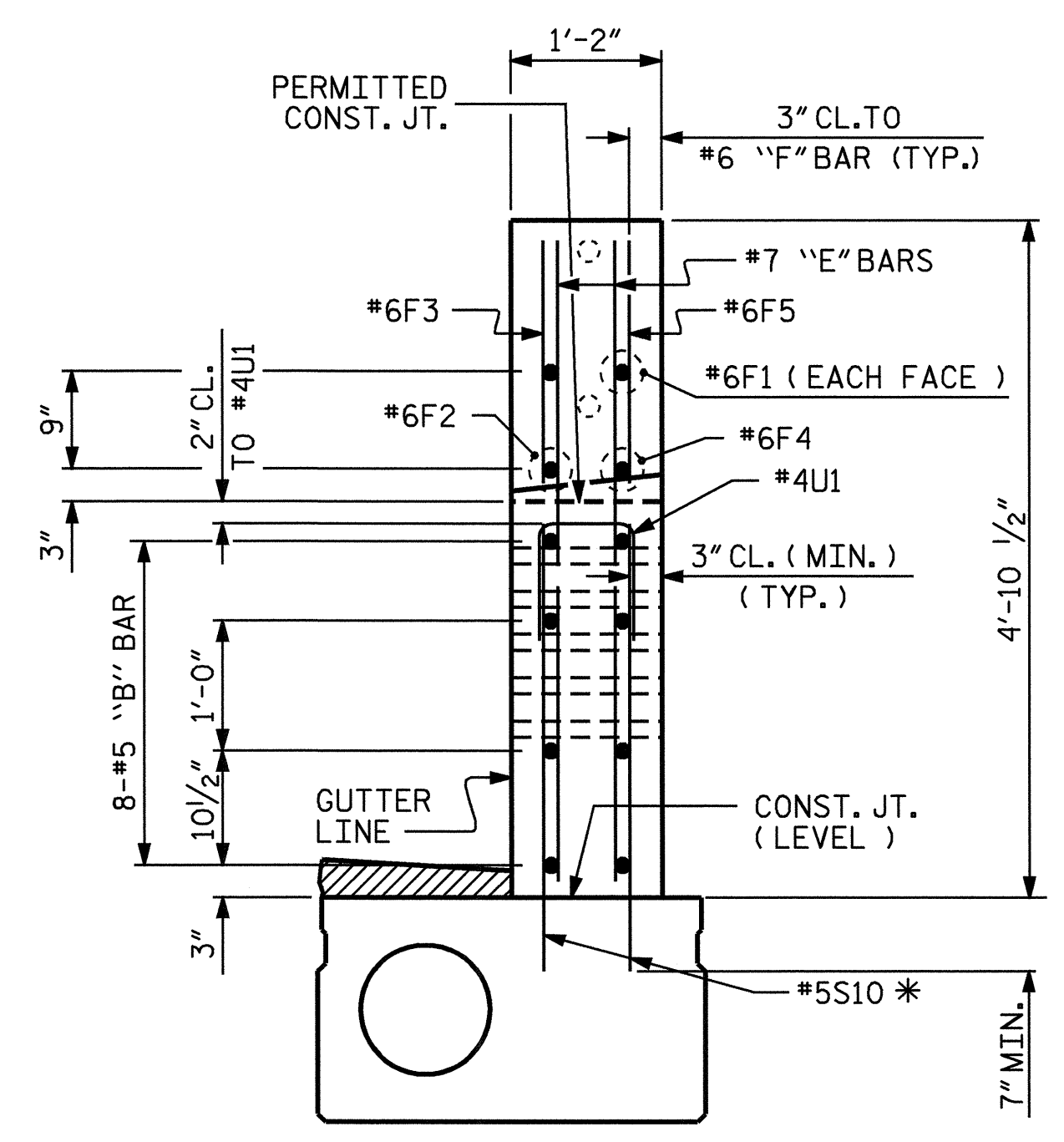
PLAN OF PARAPET



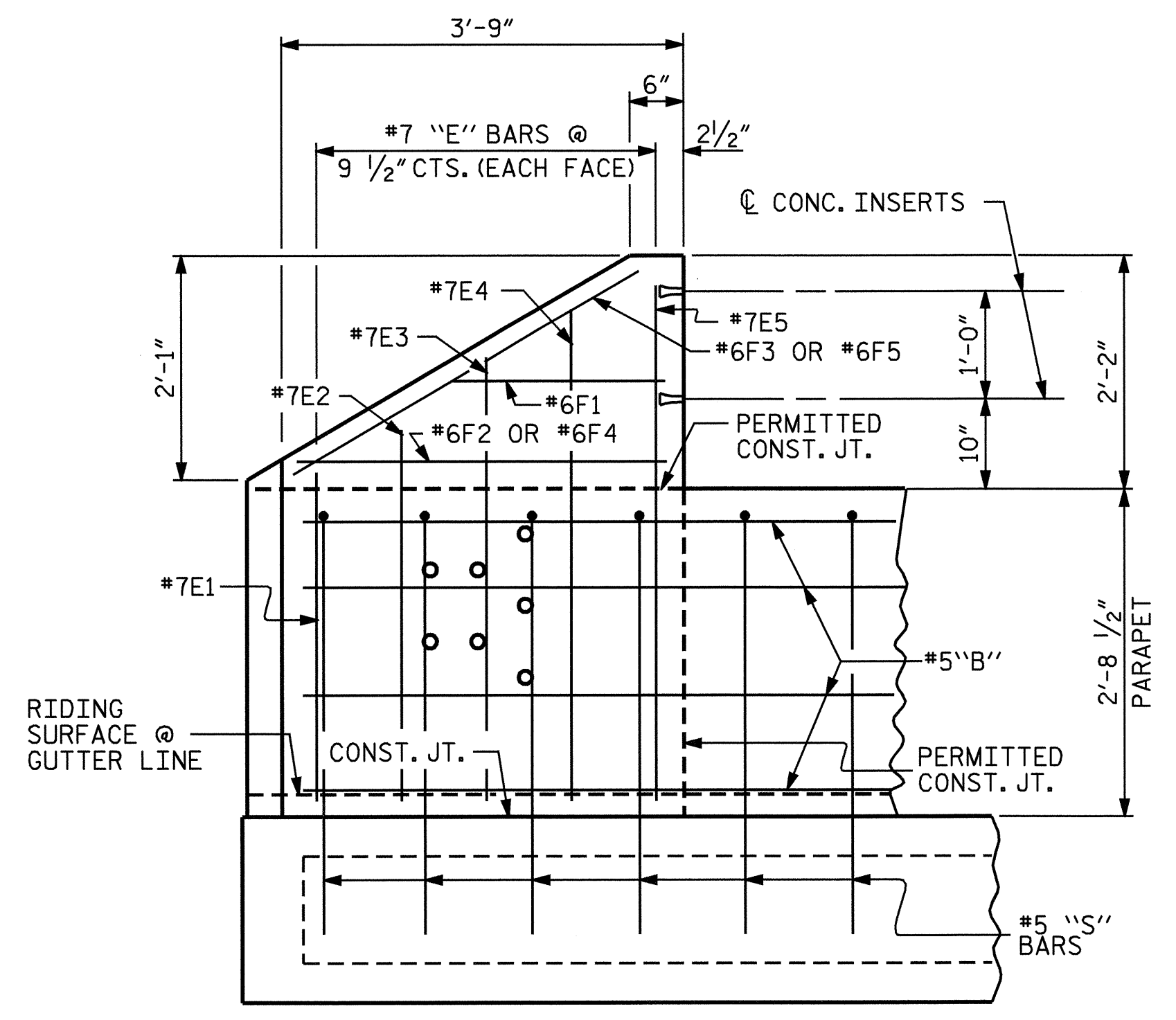
BAR TYPES		BILL OF MATERIAL					BILL OF MATERIAL				
		PARAPET AND END POSTS					PARAPET AND END POSTS				
		STAGE 2					STAGE 3				
BAR	NO.	SIZE	TYPE	LENGTH	WEIGHT	BAR	NO.	SIZE	TYPE	LENGTH	WEIGHT
*B10	8	#5	STR	46'-4"	387	*B10	8	#5	STR	46'-4"	387
*B11	16	#5	STR	47'-6"	793	*B11	16	#5	STR	47'-6"	793
*B12	8	#5	STR	34'-4"	286	*B12	8	#5	STR	34'-4"	286
*E1	4	#7	STR	2'-9"	22	*E1	4	#7	STR	2'-9"	22
*E2	4	#7	STR	3'-3"	27	*E2	4	#7	STR	3'-3"	27
*E3	4	#7	STR	3'-9"	31	*E3	4	#7	STR	3'-9"	31
*E4	4	#7	STR	4'-2"	34	*E4	4	#7	STR	4'-2"	34
*E5	4	#7	STR	4'-7"	37	*E5	4	#7	STR	4'-7"	37
*F1	4	#6	STR	1'-9"	11	*F1	4	#6	STR	1'-9"	11
*F2	2	#6	STR	3'-4"	10	*F2	2	#6	STR	3'-4"	10
*F3	2	#6	STR	4'-1"	12	*F3	2	#6	STR	4'-1"	12
*F4	2	#6	STR	3'-1"	9	*F4	2	#6	STR	3'-1"	9
*F5	2	#6	STR	3'-11"	12	*F5	2	#6	STR	3'-11"	12
						*S10	368	#5	STR	3'-1"	1183
						*U1	184	#4	1	3'-8"	451
*EPOXY COATED REINFORCING STEEL =					1671 LBS.	*EPOXY COATED REINFORCING STEEL =					3305 LBS.
TOTAL BILL OF MATERIAL											
*EPOXY COATED REINFORCING STEEL =						STAGE 2	STAGE 3	TOTAL			
						1671 LBS.	3305 LBS.	4976 LBS.			
CLASS "AA" CONCRETE =						21.2 C.Y.	21.2 C.Y.	42.4 C.Y.			
1'-2" x 2'-8 1/2" CONCRETE PARAPET =						177.61 L.F.	177.61 L.F.	355.22 L.F.			



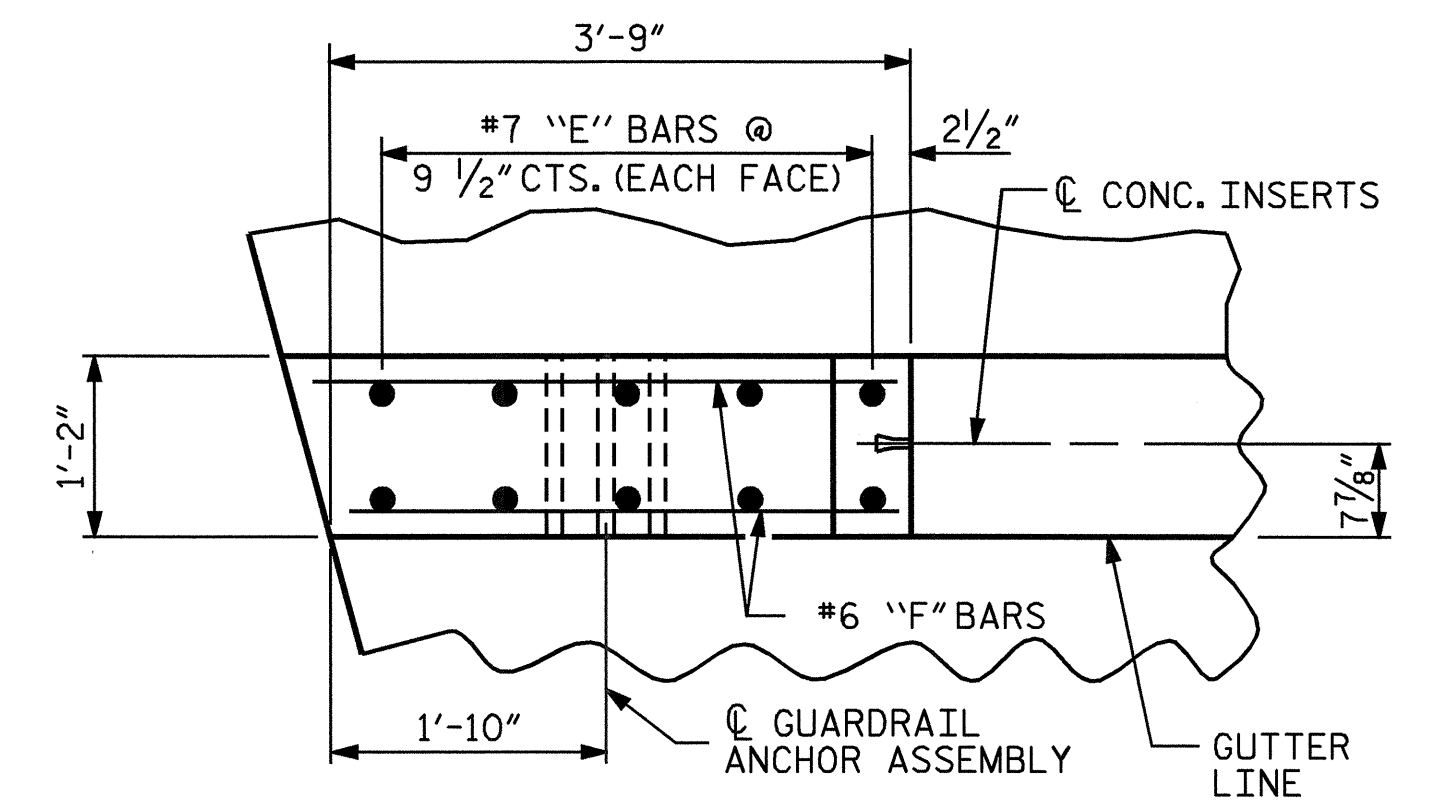
END VIEW (STAGE 2)



END VIEW (STAGE 3)



ELEVATION



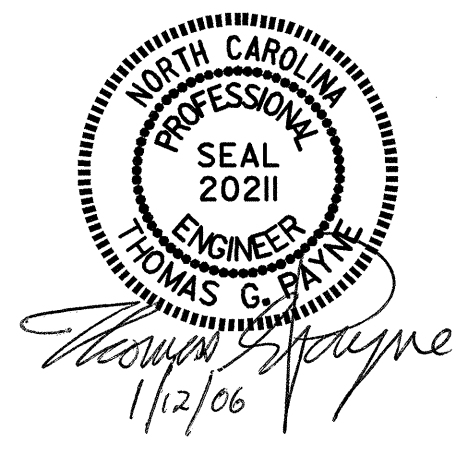
PLAN OF END POST (STAGE 2 SHOWN STAGE 3 SIMILAR)

PARAPET AND END POST FOR TWO BAR RAIL

* FOR PLACEMENT OF 'S10' BARS, SEE PLAN OF SPANS.

PROJECT NO. B-3445
 CURRITUCK COUNTY
 STATION: 24+18.00 -L-

SHEET 2 OF 2



STATE OF NORTH CAROLINA
 DEPARTMENT OF TRANSPORTATION
 RALEIGH
 RAIL POST SPACINGS
 AND
 END OF RAIL DETAILS
 FOR TWO BAR METAL RAILS
 (STAGES 2 & 3)

REVISIONS						SHEET NO.
NO.	BY:	DATE:	NO.	BY:	DATE:	S-23
1			3			TOTAL SHEETS
2			4			44

DRAWN BY: M. J. OSTRISHKO DATE: 12-20-01
 CHECKED BY: K. D. LAYNE DATE: 1-18-02