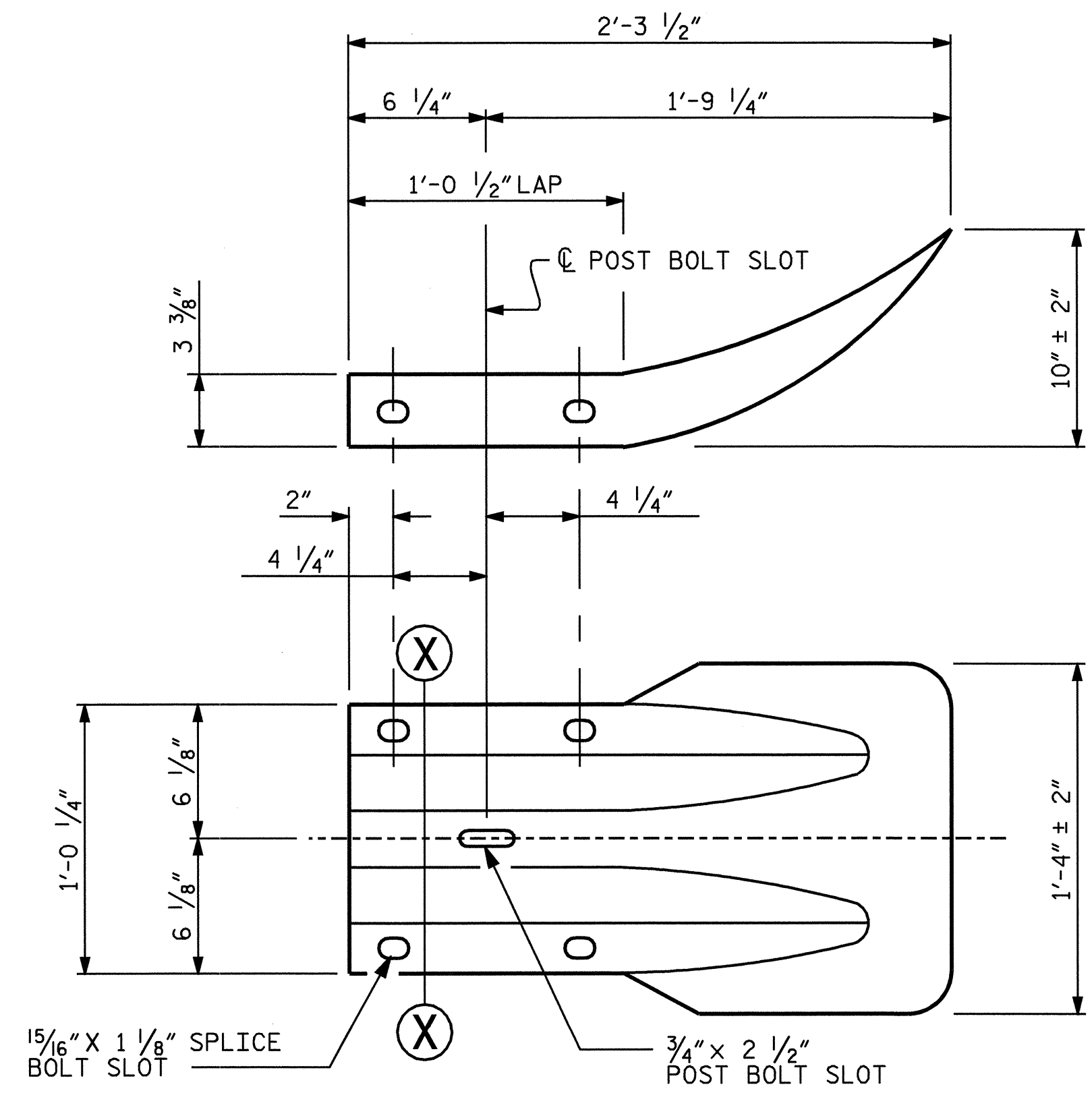
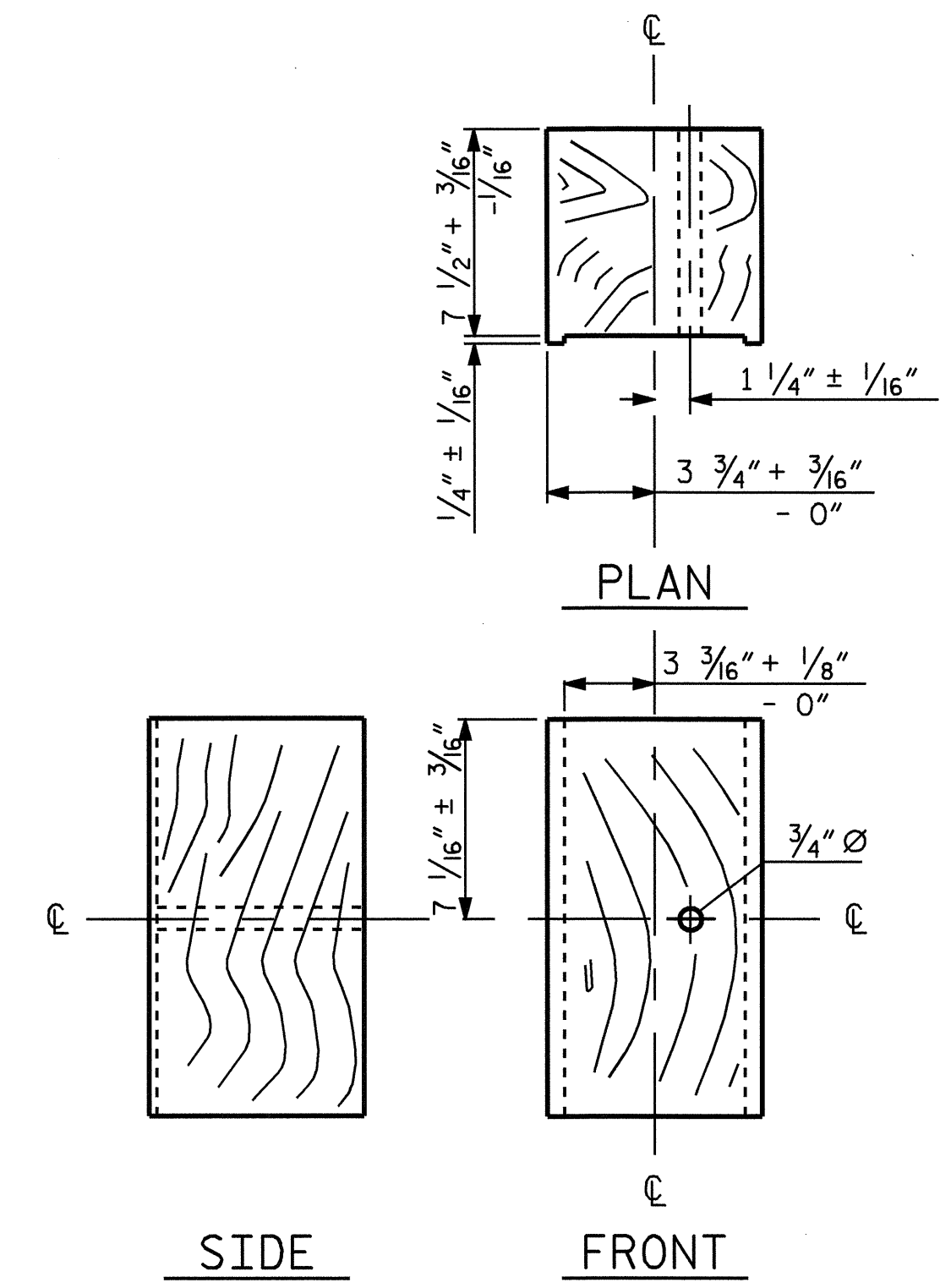


SECTION X-X



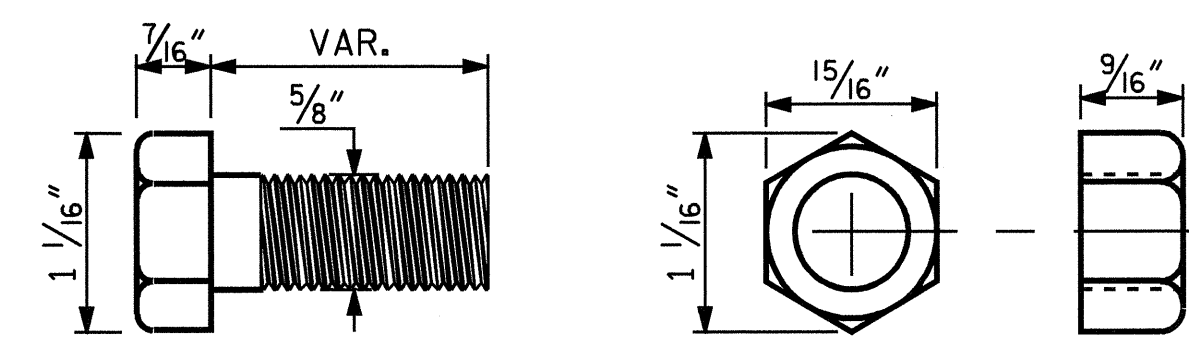
TERMINAL END SECTION

(TOTAL 6 REQUIRED)
 (LOCATED ONLY ON TOP GUARDRAIL BEAM OF
 TEMPORARY GUARDRAIL AT LEADING AND TRAILING ENDS.)

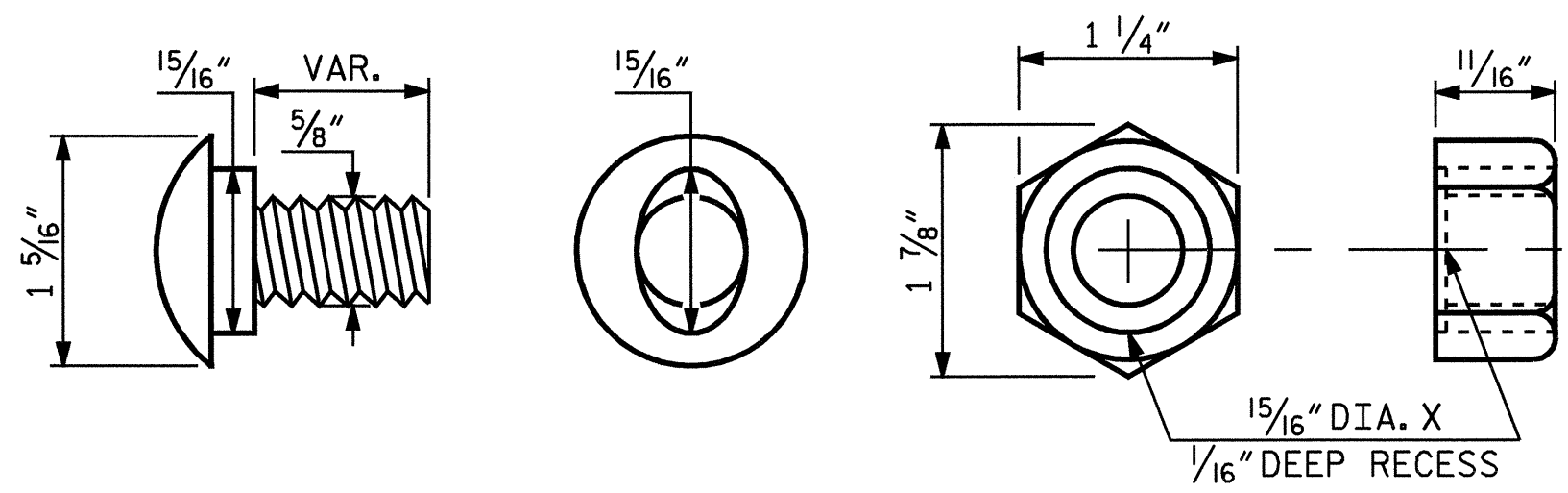


ROUTED WOOD OFFSET BLOCK

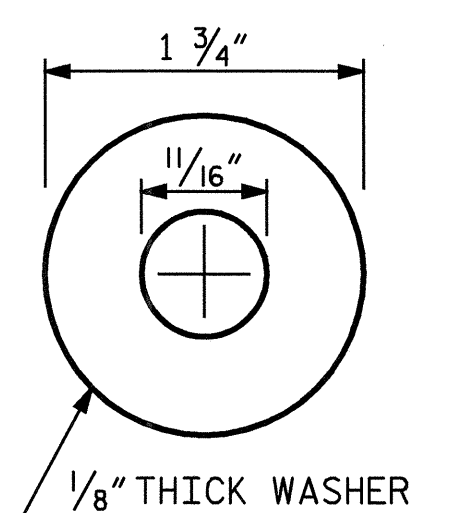
8" X 8" NOMINAL



DETAIL OF STANDARD HEX BOLT AND NUT



DETAIL OF BUTTON HEAD BOLT AND NUT



DETAIL OF STANDARD WASHER

PROJECT NO. B-3445
CURRITUCK COUNTY
 STATION: 24+18.00 -L-

SHEET 2 OF 2



STATE OF NORTH CAROLINA DEPARTMENT OF TRANSPORTATION RALEIGH					
TEMPORARY GUARDRAIL DETAILS					
REVISIONS					
NO.	BY:	DATE:	NO.	BY:	DATE:
1			3		
2			4		
SHEET NO. S-26					TOTAL SHEETS 44

DRAWN BY: M. J. OSTRISHKO DATE: 4-23-02
 CHECKED BY: T. G. PAYNE DATE: 5-8-02

09-JAN-2006 14:55
 H:\Structures\b3445\Finalplans\b344501gr.dgn
 tpayne