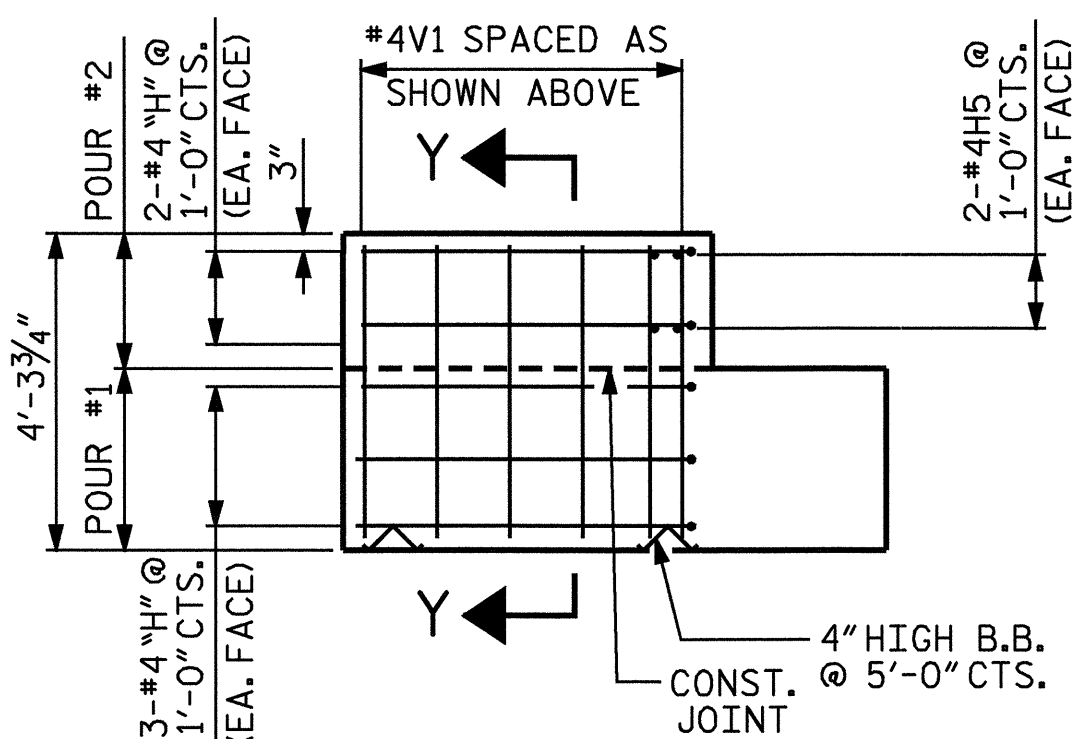
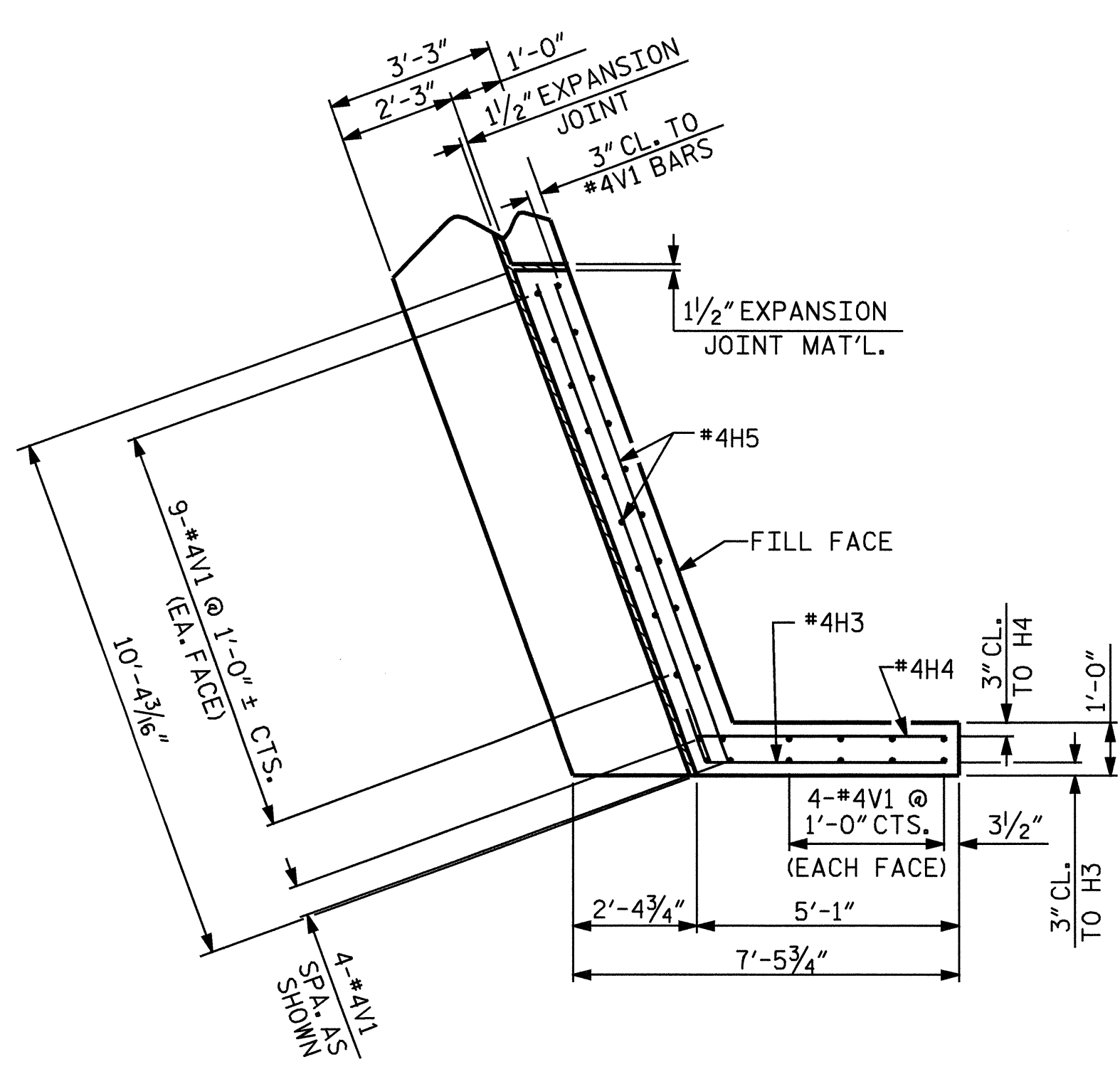


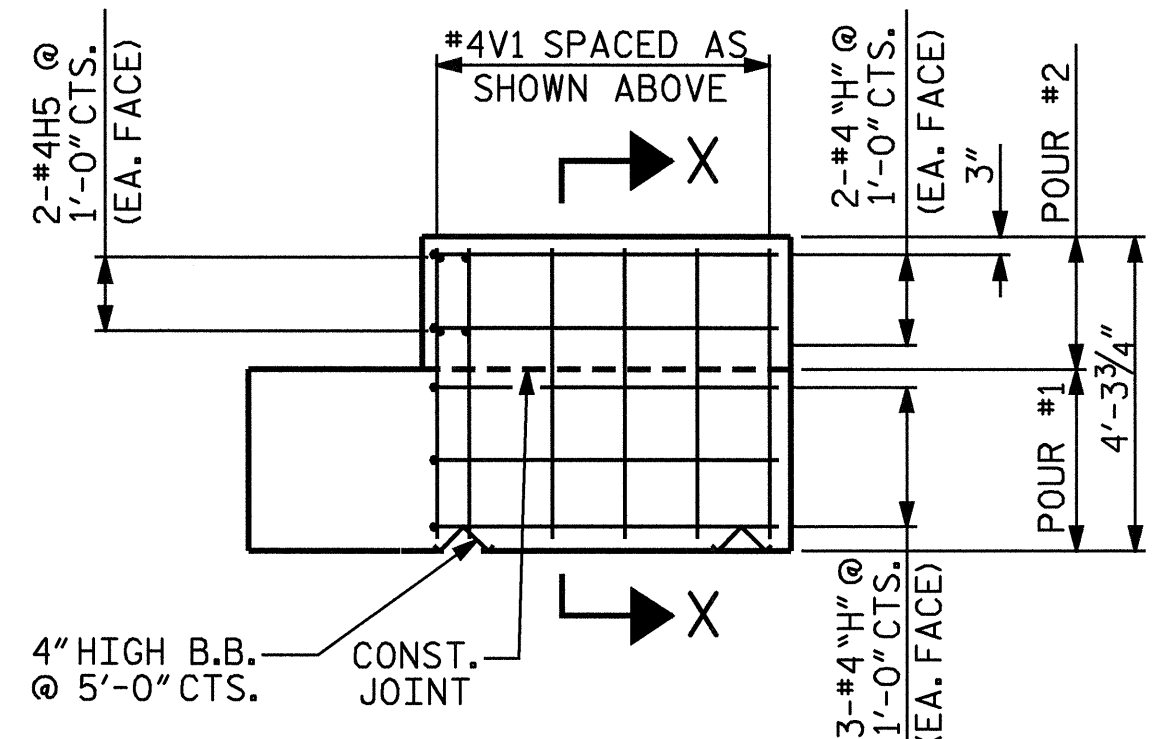
PLAN OF LEFT WING - W1



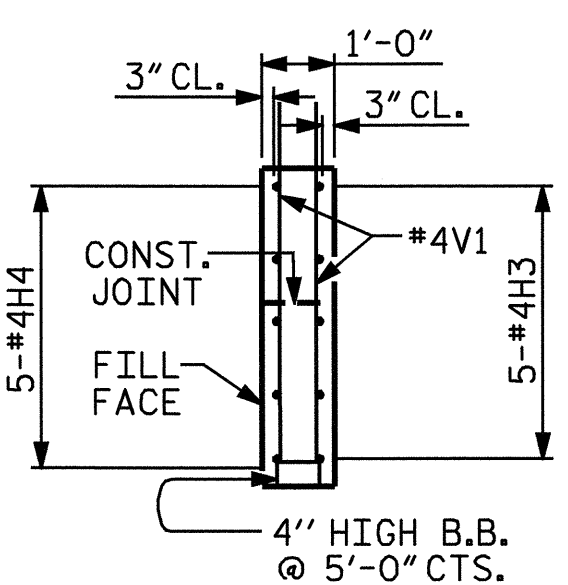
ELEVATION OF LEFT WING - W1



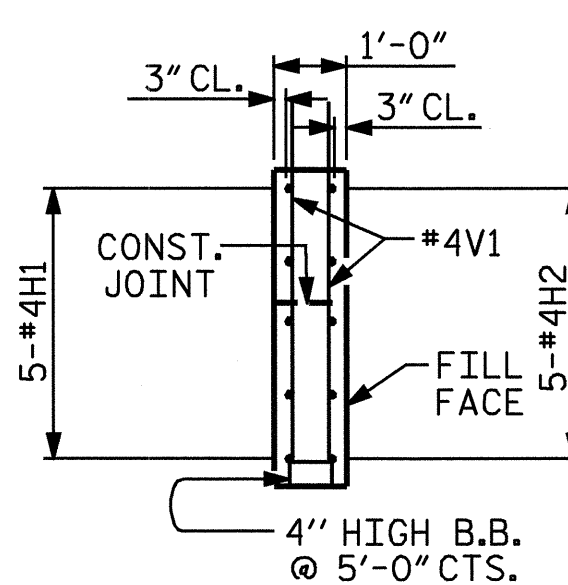
PLAN OF RIGHT WING - W2



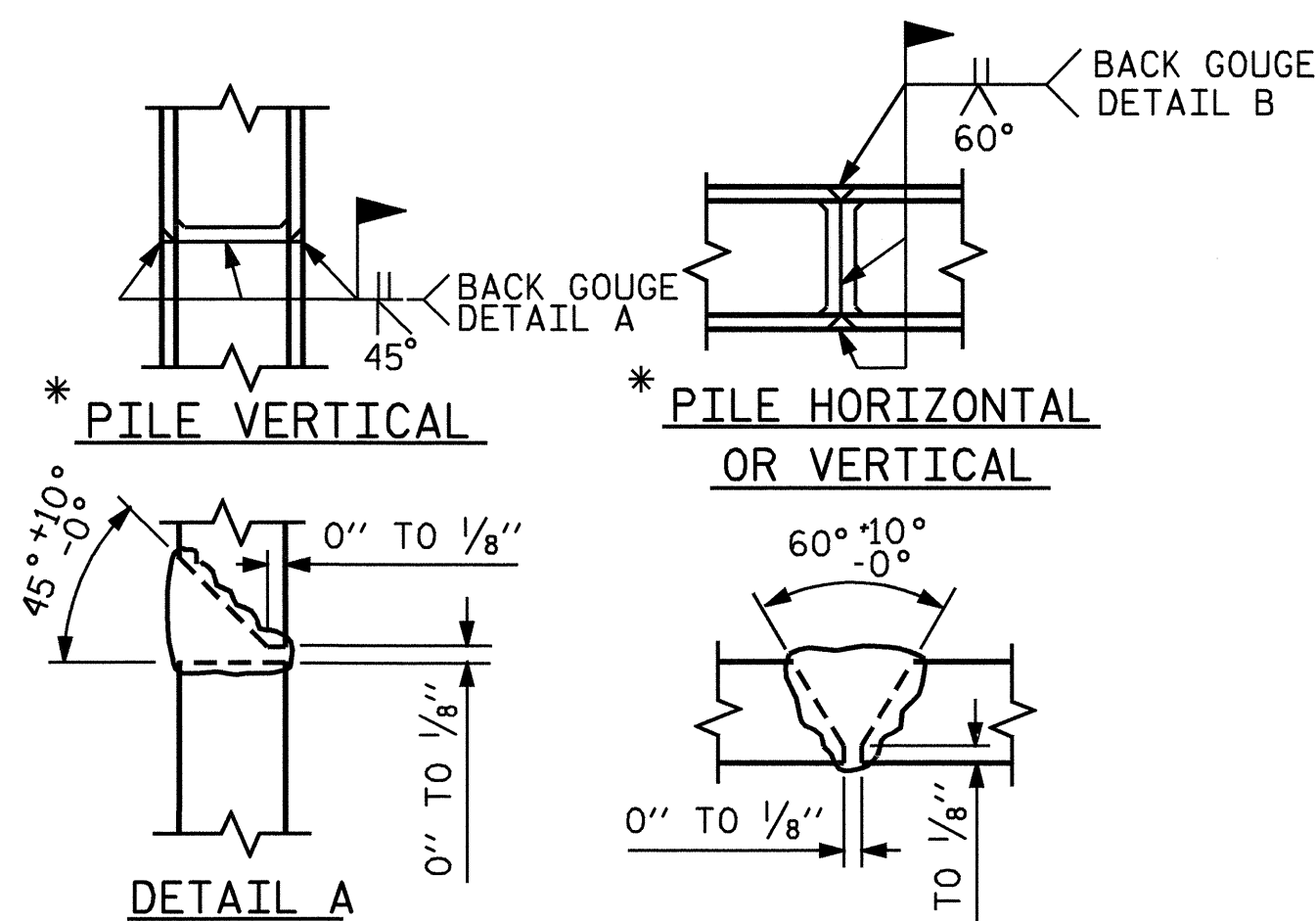
ELEVATION OF RIGHT WING - W2



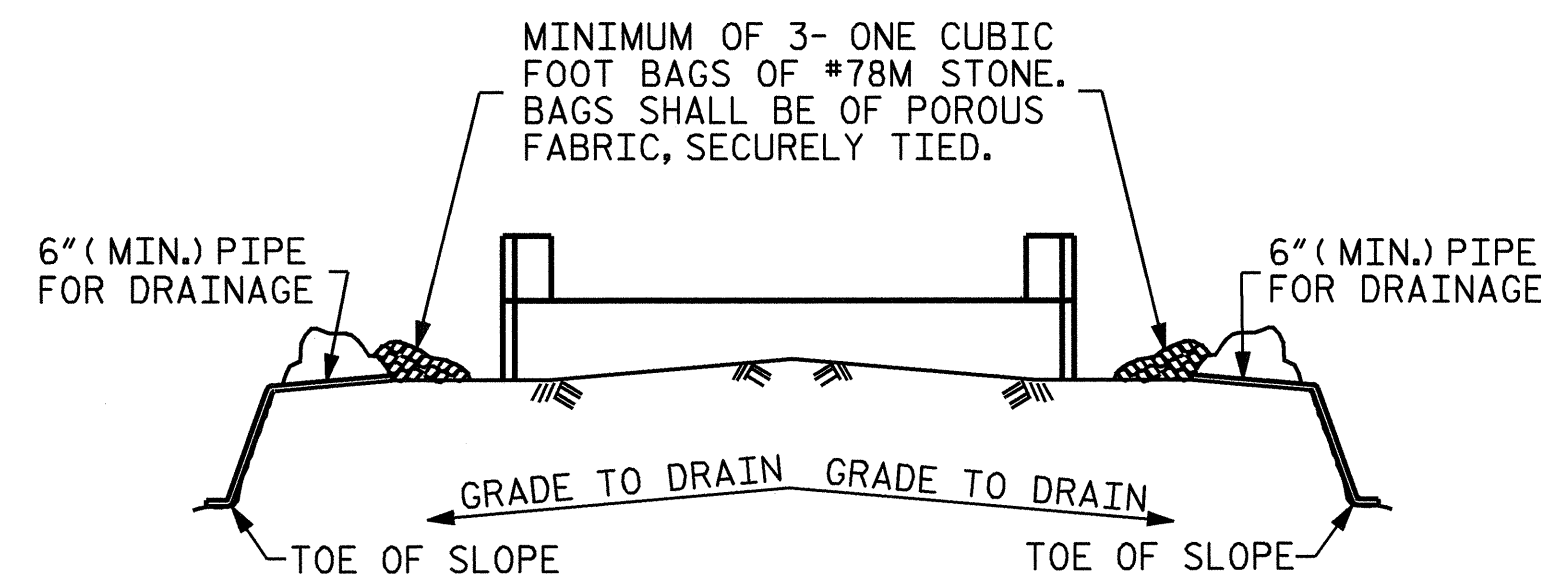
SECTION X-X



SECTION Y-Y



PILE SPLICE DETAILS

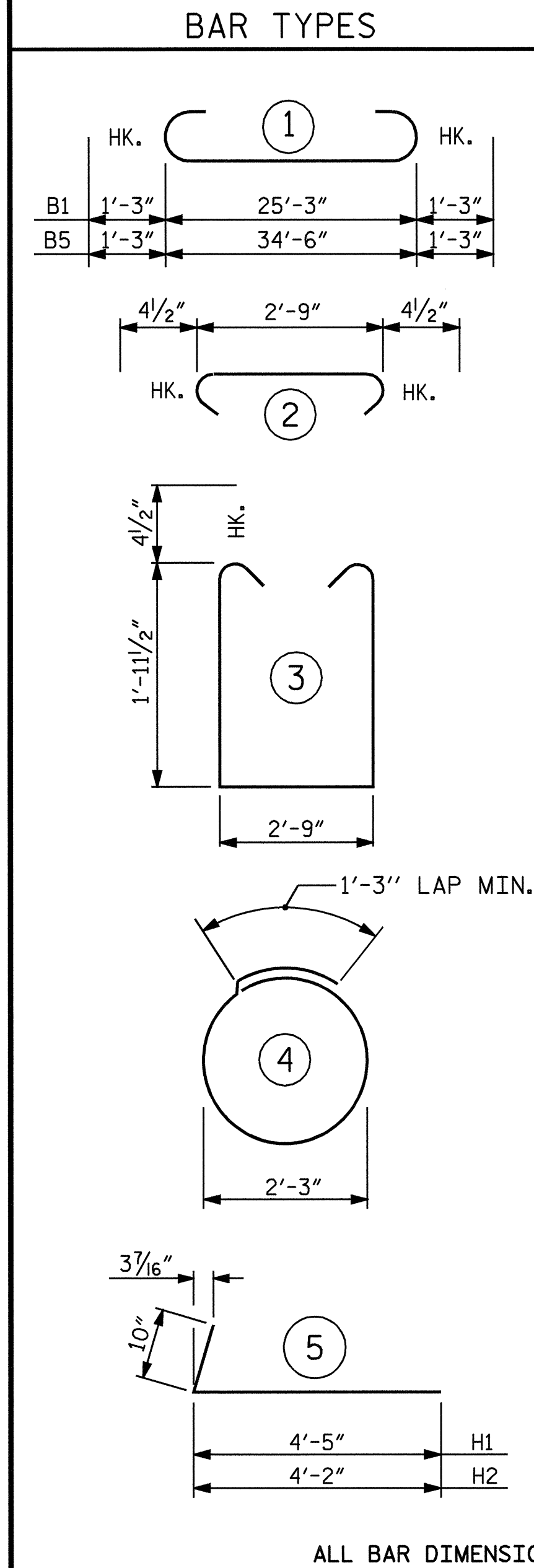


BAGGED STONE AND PIPE SHALL BE PLACED IMMEDIATELY AFTER COMPLETION OF END BENT EXCAVATION. PIPE MAY BE EITHER CONCRETE, CORRUGATED STEEL, CORRUGATED ALUMINUM ALLOY, OR CORRUGATED PLASTIC. PERFORATED PIPE WILL NOT BE ALLOWED.

BAGGED STONE SHALL REMAIN IN PLACE UNTIL THE ENGINEER DIRECTS THAT IT BE REMOVED. THE CONTRACTOR SHALL REMOVE AND DISPOSE OF SILT ACCUMULATIONS AT BAGGED STONE WHEN SO DIRECTED BY THE ENGINEER. BAGS SHALL BE REMOVED AND REPLACED WHENEVER THE ENGINEER DETERMINES THAT THEY HAVE DETERIORATED AND LOST THEIR EFFECTIVENESS.

NO SEPARATE PAYMENT WILL BE MADE FOR THIS WORK AND THE ENTIRE COST OF THIS WORK SHALL BE INCLUDED IN THE UNIT CONTRACT PRICE BID FOR THE SEVERAL PAY ITEMS.

TEMPORARY DRAINAGE AT END BENT



ALL BAR DIMENSIONS ARE OUT TO OUT.

BAR TYPES						BILL OF MATERIAL					BILL OF MATERIAL																								
						END BENT 2 (STAGE 1)					END BENT 2 (STAGE 2)																								
BAR	NO.	SIZE	TYPE	LENGTH	WEIGHT	BAR	NO.	SIZE	TYPE	LENGTH	WEIGHT	BAR	NO.	SIZE	TYPE	LENGTH	WEIGHT																		
*B1	9	9		27-9	849	*B4	9	4	STR	2-9	17	*D1	20	6	STR	1-6	45																		
*B2	2	5	STR	25-3	53	*B5	9	9		37-0	1132	*D2	6	6	STR	3-0	27																		
*B3	4	4	STR	25-3	67	*B6	2	5	STR	34-6	72	*H1	5	4	5	5-3	18																		
*B4	6	4	STR	2-9	11	*B7	8	4	STR	18-8	100	*H2	5	4	5	5-0	17																		
*D1	16	6	STR	1-6	36							*H5	4	4	STR	9-10	26																		
*H3	5	4	6	5-5	18							*S1	20	4	2	3-6	47																		
*H4	5	4	6	5-8	19							*S2	20	4	3	7-5	99																		
*H5	4	4	STR	9-10	26							*S3	8	4	4	8-4	45																		
*S1	20	4	2	3-6	47							*V1	30	4	STR	3-10	77																		
*S2	20	4	3	7-5	99																														
*S3	8	4	4	8-4	45																														
*V1	30	4	STR	3-10	77																														
*EPOXY COATED REINFORCING STEEL						LBS. 1347						*EPOXY COATED REINFORCING STEEL						LBS. 1796																	
CLASS AA CONCRETE BREAKDOWN						POUR #1 (CAP & LOWER WING)=						8.1 CY.						CLASS AA CONCRETE BREAKDOWN						POUR #1 (CAP & LOWER WING)=						10.9 CY.					
						POUR #2 (BACKWALL & UPPER WING)=						1.0 CY.												POUR #2 (BACKWALL & UPPER WING)=						1.0 CY.					
CLASS AA CONCRETE TOTAL =						9.1 CY.						CLASS AA CONCRETE TOTAL =						11.9 CY.																	
HP 14X73 STEEL PILES						No. = 4						LIN. FT. = 280						HP 14X73 STEEL PILES						No. = 5						LIN. FT. = 350					
TOTAL BILL OF MATERIAL																																			
EPOXY COATED REINFORCING STEEL						3143 LBS.						CLASS AA CONCRETE						21.0 CY.																	
HP 14X73 STEEL PILES						No. = 9						630 LIN. FT.																							

