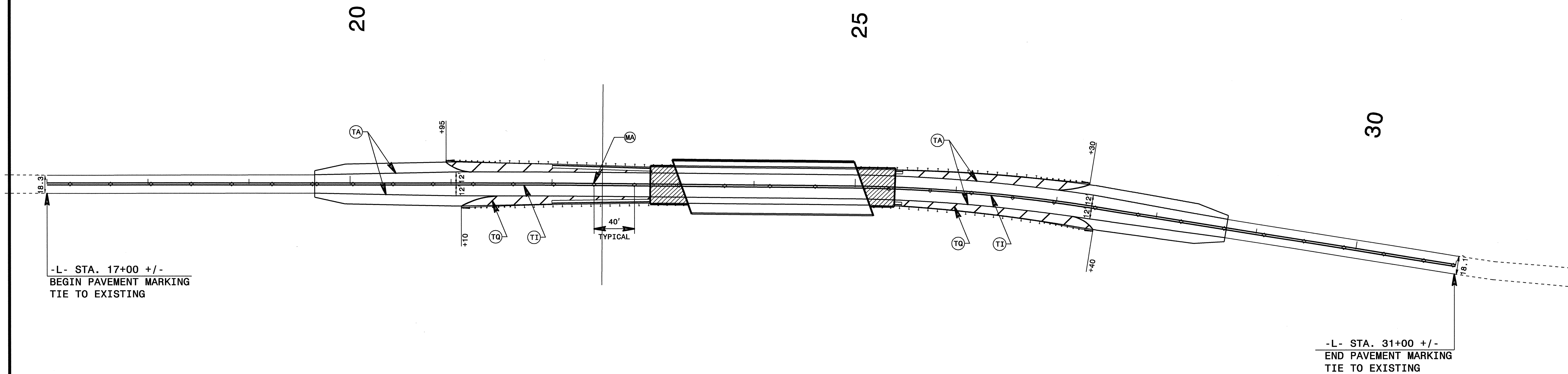


FINAL PAVEMENT MARKING SCHEDULE			
SYMBOL	DESCRIPTION	PAY ITEM/ QUANTITY BREAKDOWN	TOTAL QUANTITY
PAVEMENT MARKING LINES THERMOPLASTIC			
TA	4" WHITE EDGE LINE (90 mils)	2896'	TOTAL 2896'
TI	4" YELLOW DBL CTR LINE (120 mils)	2800'	TOTAL 2800'
TQ	8" WHITE DIAGONAL LINE (90 mils)	282'	TOTAL 282'
PAVEMENT MARKERS			
MA	YELLOW & YELLOW	35	TOTAL 35



06-JAN-2006 16:53
 NETS-COF-503-03-49454\Traffic\TrafficControl\TCN\Final\WZTCL\Plans\3445pm1.psh
 119911811 AT WZTCL222291

APPROVED: <i>Josca Kuse</i> DATE: 1/12/06	PAVEMENT MARKING PLAN		
	SCALE: N.A.		
	DATE: 1/05/06		REVISIONS
	DWG. BY: RMG		
	DESIGN BY: RMG		
REVIEWED BY: JDK			