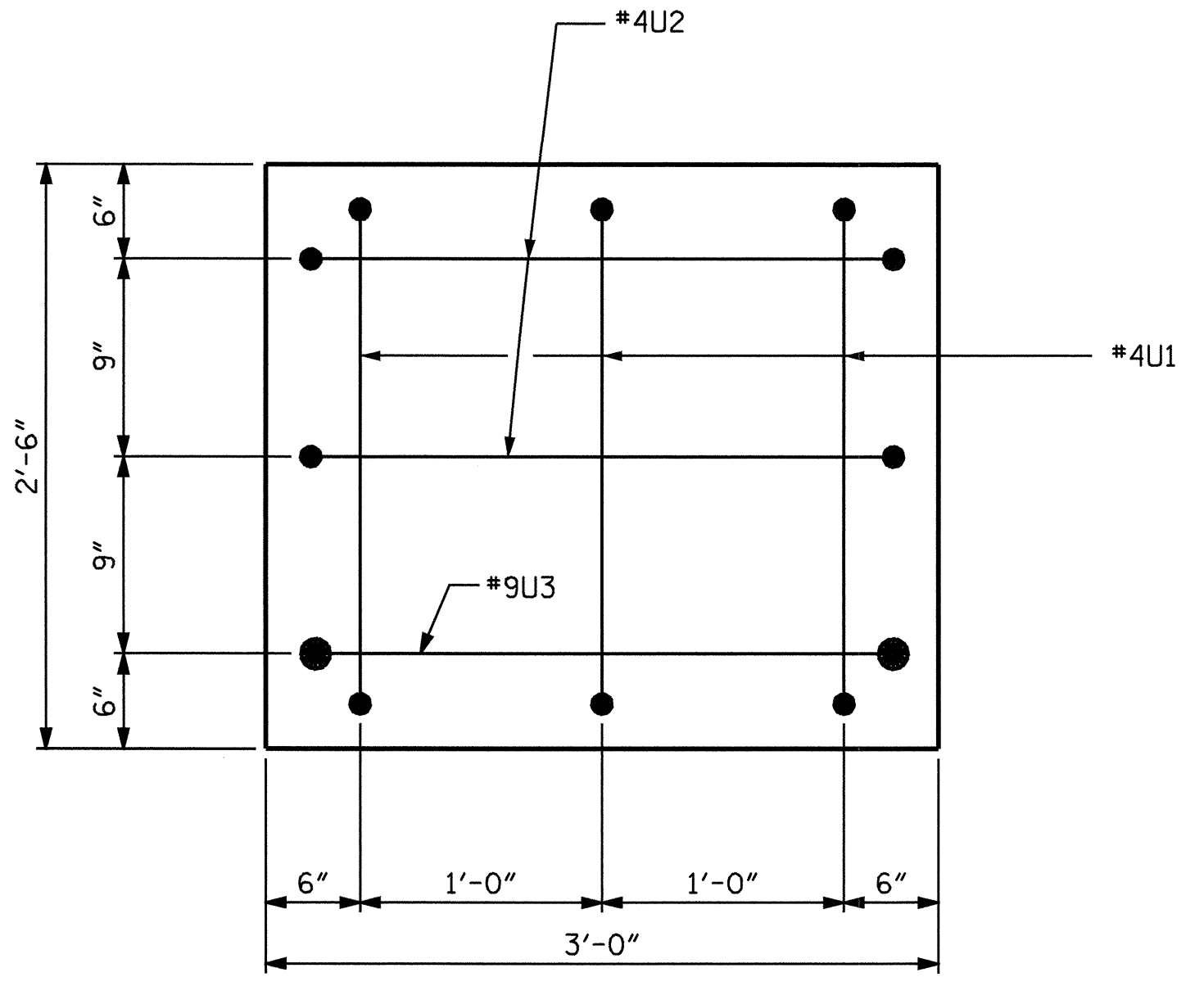
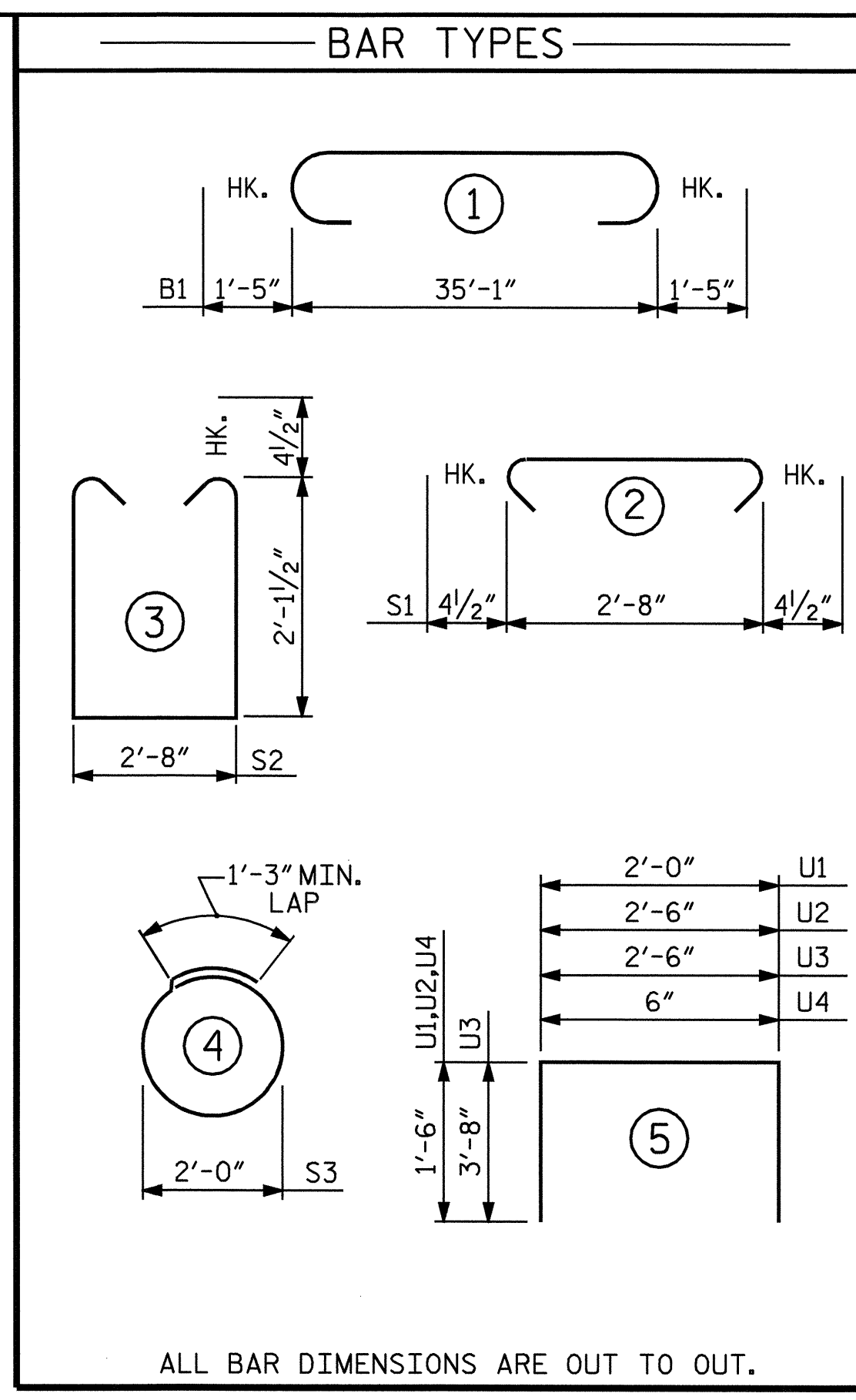


SECTION A-A



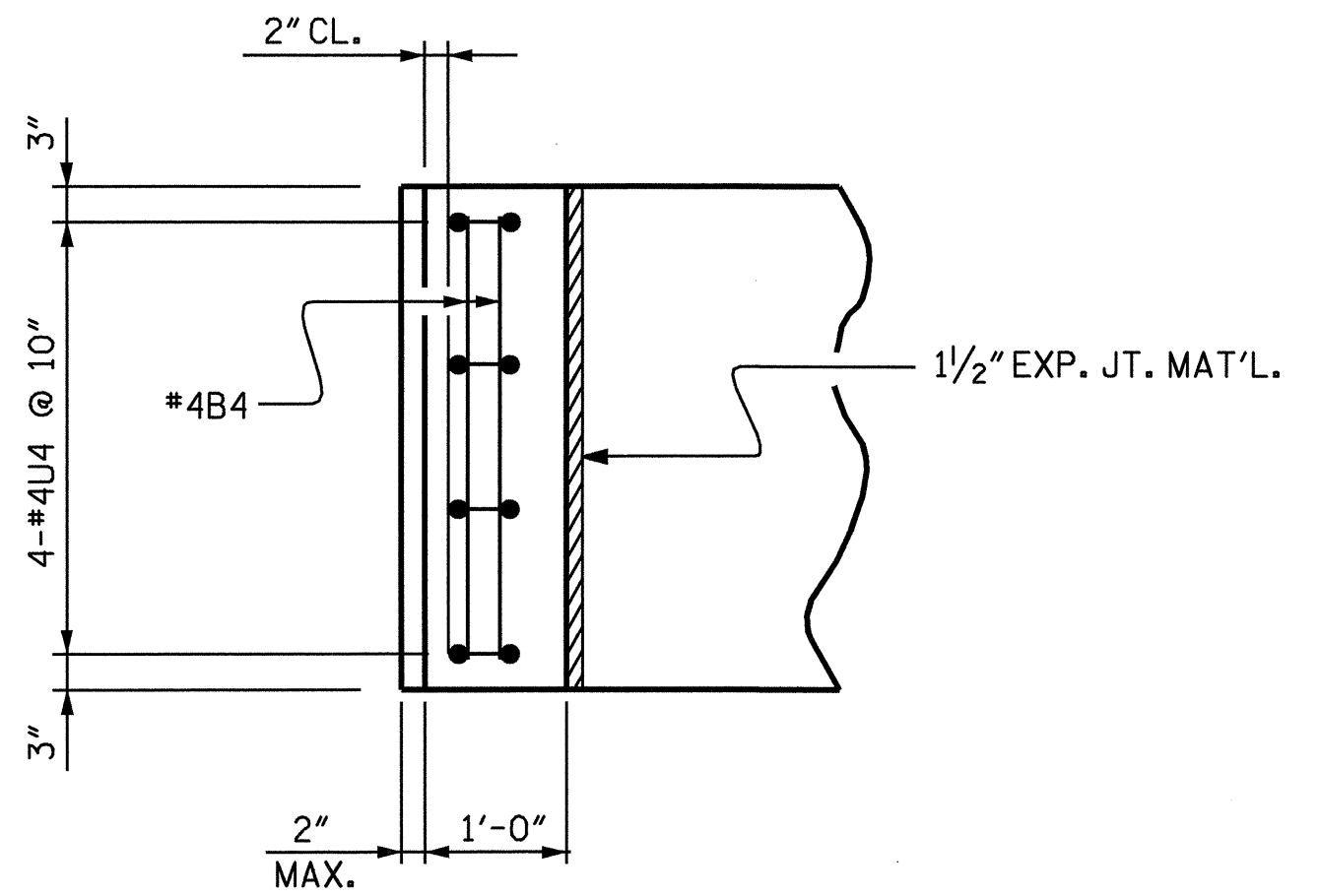
END VIEW

2" MIN. CONCRETE COVER FROM END OF CAP REQUIRED FOR ALL #4U1, #4U2 AND #9U3 BARS.
 #4U1, #4U2 AND #9U3 BARS MAY BE SHIFTED UP TO 2" TO CLEAR "B" BARS.

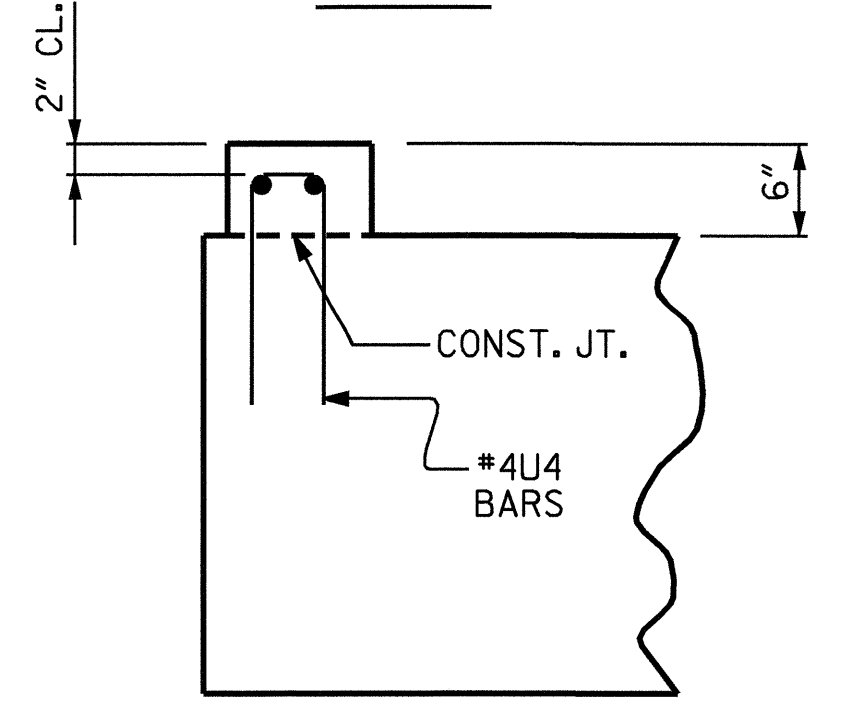


ALL BAR DIMENSIONS ARE OUT TO OUT.

BILL OF MATERIAL					
BAR	NO.	SIZE	TYPE	LENGTH	WEIGHT
B1	4	#10		37'-11"	653
B2	2	#5	STR	35'-3"	74
B3	8	#4	STR	18'-10"	101
B4	13	#4	STR	2'-8"	23
B5	4	#10	STR	35'-3"	607
D1	44	#6	STR	1'-6"	99
S1	28	#4		3'-5"	64
S2	28	#4		7'-8"	143
S3	14	#4		7'-7"	71
U1	6	#4		5'-0"	20
U2	4	#4		5'-6"	15
U3	2	#9		9'-10"	67
U4	8	#4		3'-6"	19
REINFORCING STEEL					= 1956 LBS
CLASS A CONCRETE					
POUR #1 CAP					CU. YDS. 9.9
POUR #2 LATERAL GUIDE					CU. YDS. 0.1
TOTAL					CU. YDS. 10.0
HP 14 X 73 STEEL PILES					
NO. 7					LIN. FT. 298
GALVANIZING STEEL PILES					LUMP SUM

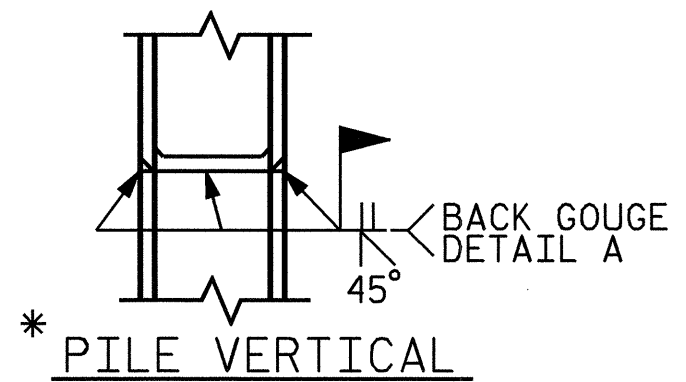


PLAN

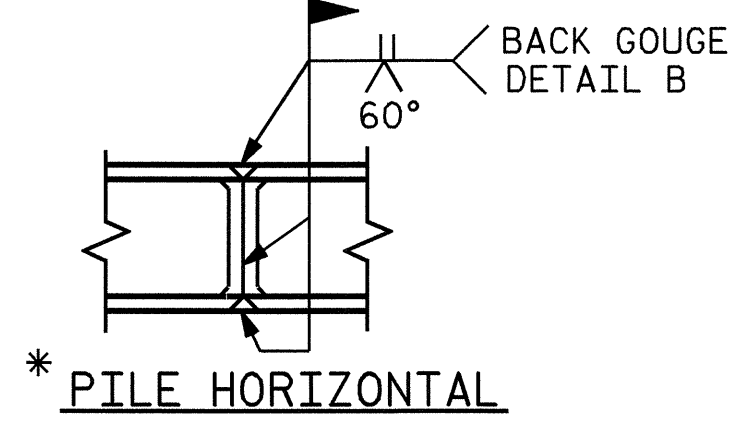


ELEVATION

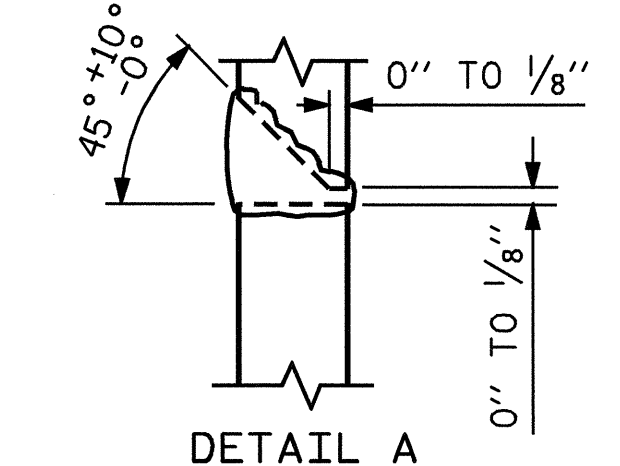
LATERAL GUIDE DETAILS



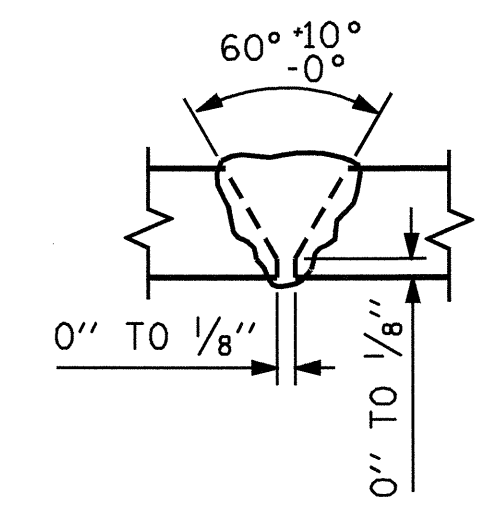
*** PILE VERTICAL**



*** PILE HORIZONTAL OR VERTICAL**



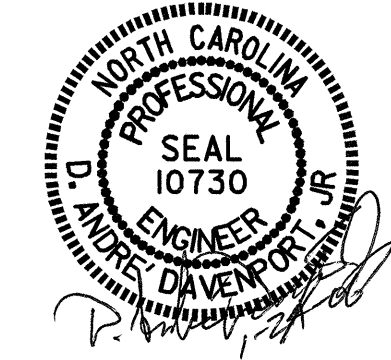
*** POSITION OF PILE DURING WELDING.**



DETAIL B

PILE SPLICE DETAILS

DRAWN BY : S. P. LAM DATE : 10/06/05
 CHECKED BY : H. T. BARBOUR DATE : 10/24/05



PROJECT NO. B-4224
PENDER/DUPLIN COUNTY
 STATION: 17+62.50 -L-
 SHEET 2 OF 2

STATE OF NORTH CAROLINA DEPARTMENT OF TRANSPORTATION RALEIGH					
SUBSTRUCTURE BENT #1					
REVISIONS					SHEET NO.
NO.	BY:	DATE:	NO.	BY:	DATE:
1			3		
2			4		
					TOTAL SHEETS 28