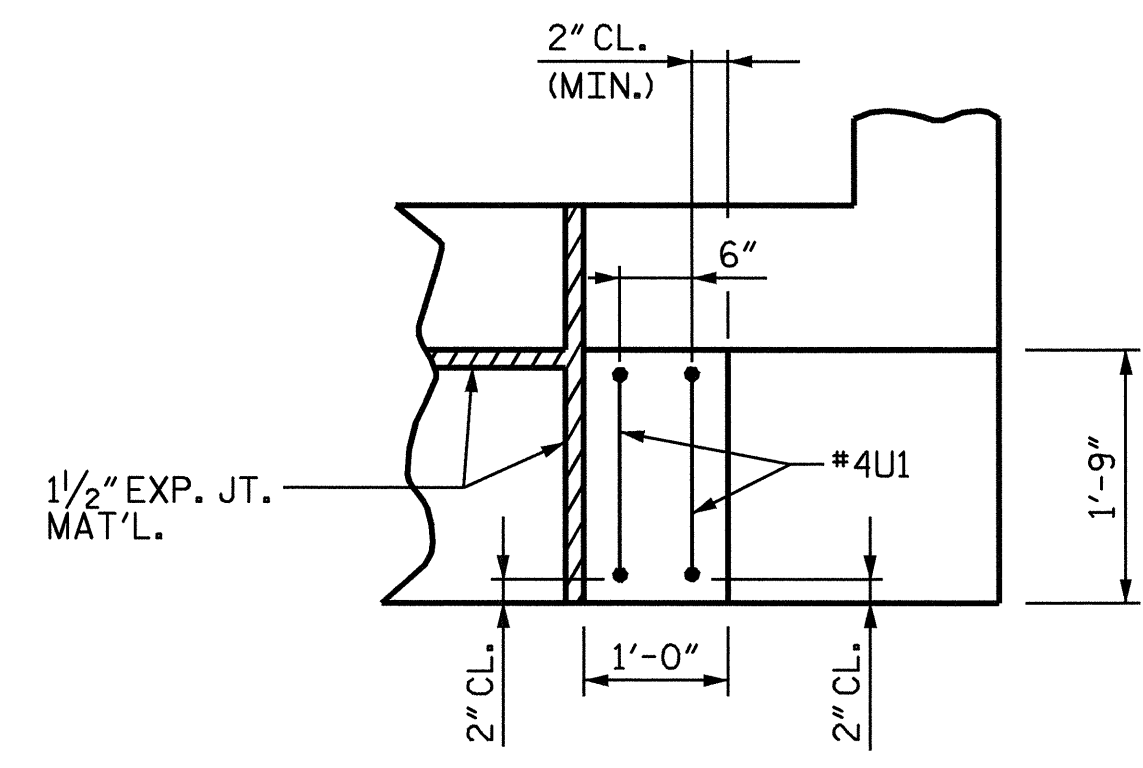
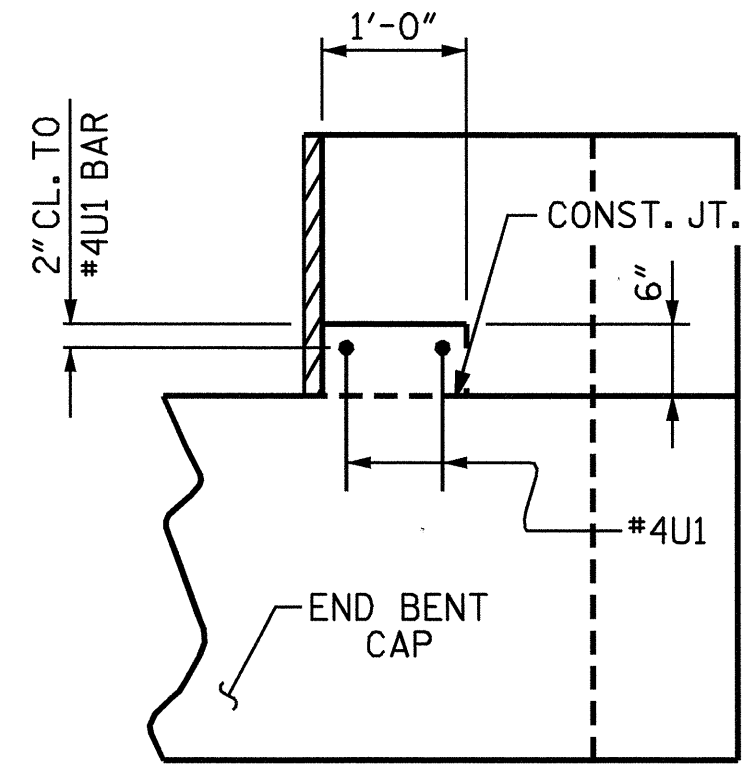


SECTION A-A



PLAN

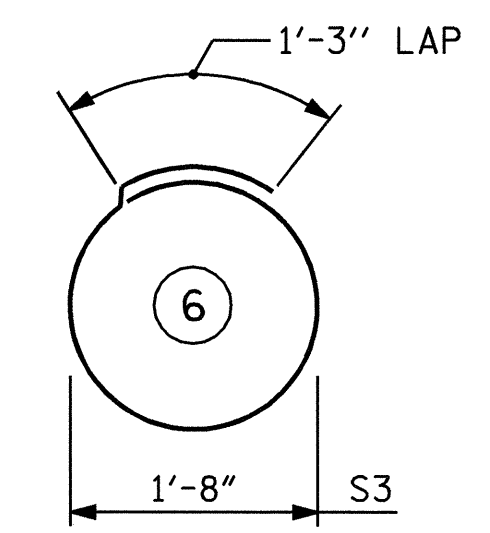
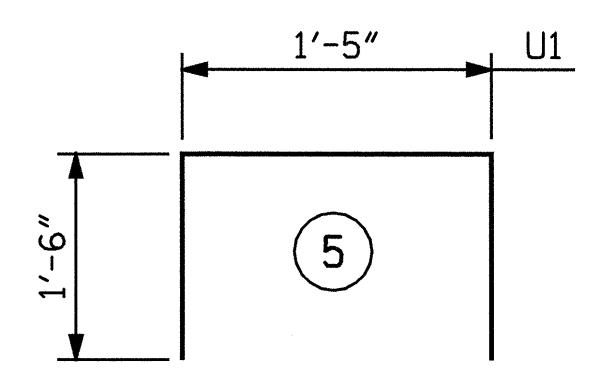
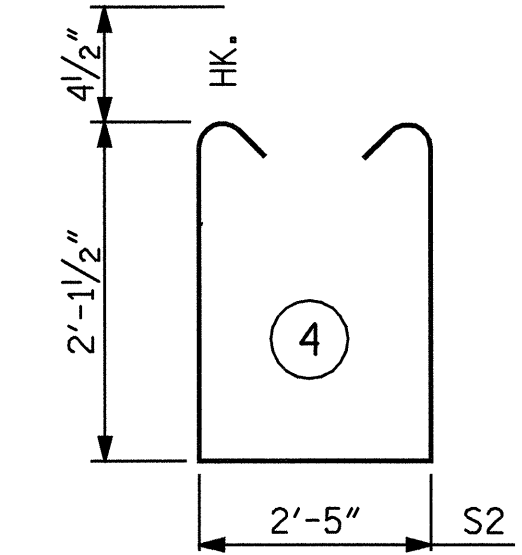
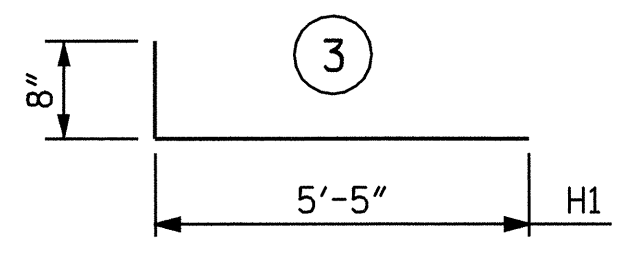
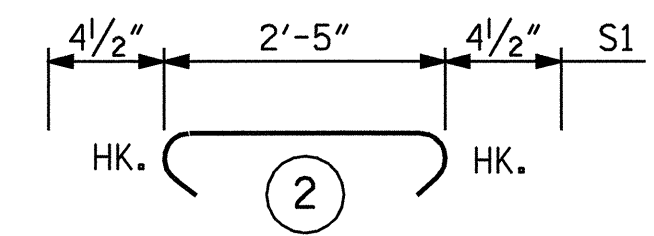
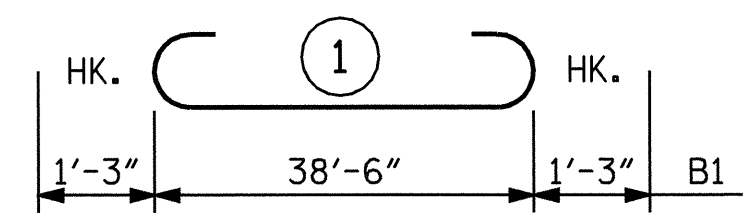


ELEVATION

LATERAL GUIDE

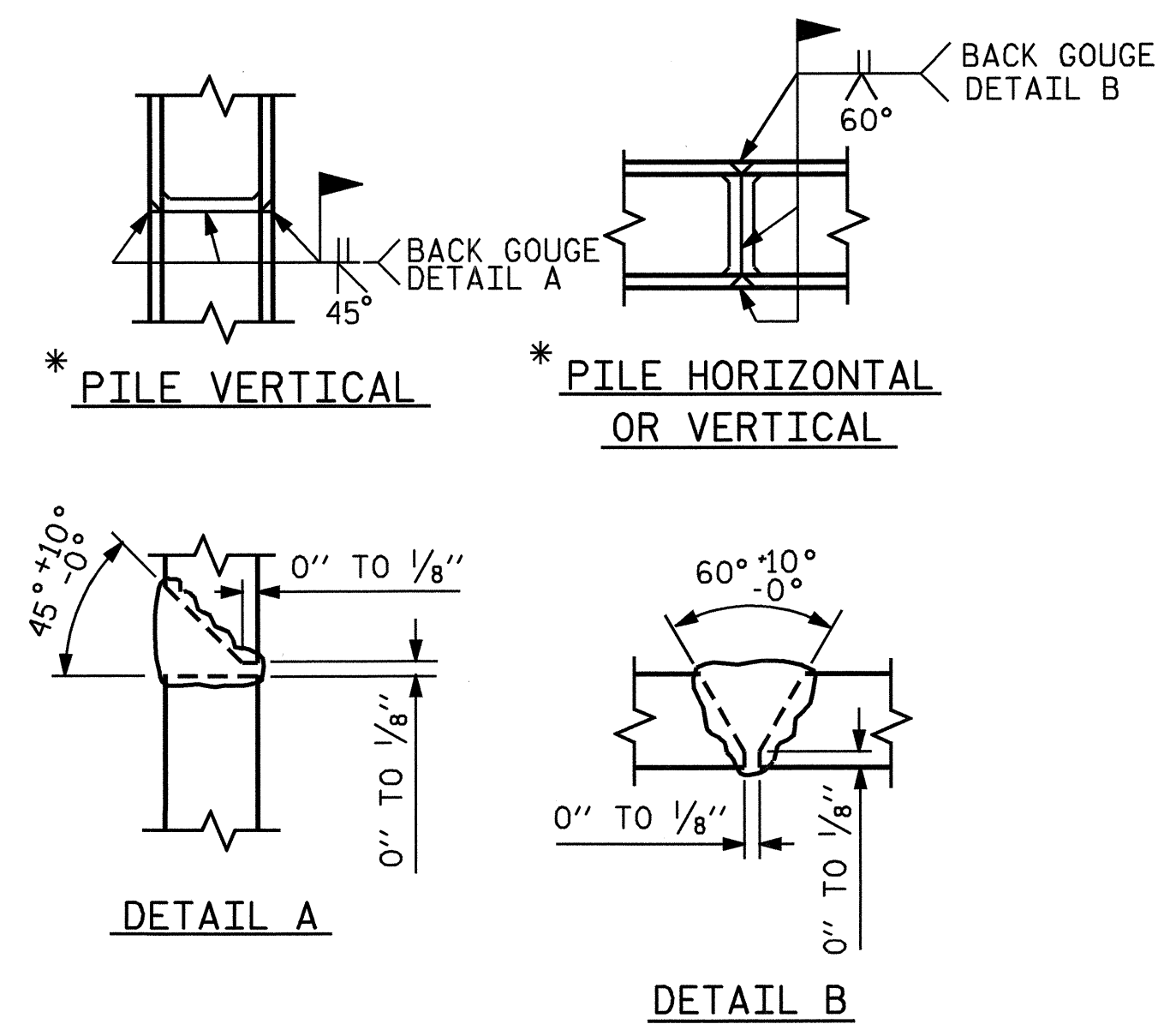
(TYPICAL EACH SIDE)

BAR TYPES



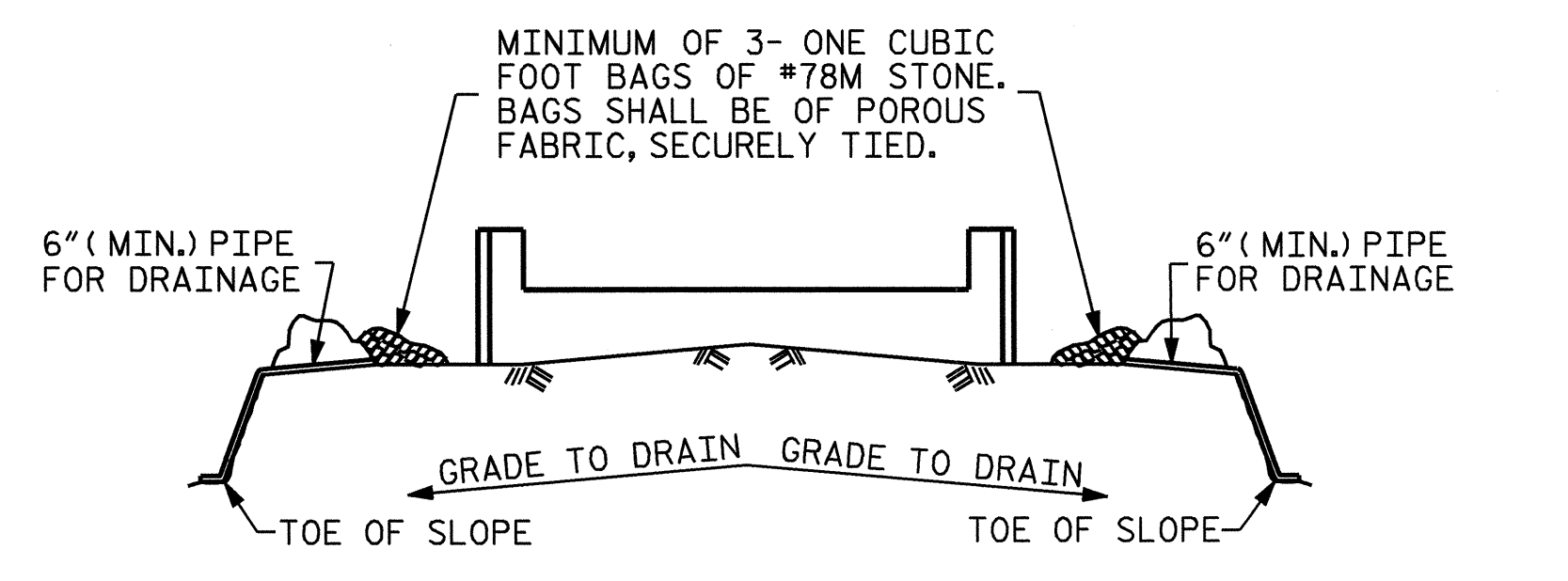
ALL BAR DIMENSIONS ARE OUT TO OUT.

BILL OF MATERIAL					
END BENT #2					
BAR	NO.	SIZE	TYPE	LENGTH	WEIGHT
B1	8	#9	1	41'-0"	1115
B2	2	#5	STR	38'-8"	81
B3	8	#4	STR	20'-7"	110
B4	10	#4	STR	2'-5"	16
D1	22	#6	STR	1'-6"	50
H1	24	#4	3	6'-1"	98
K1	12	#4	STR	3'-1"	25
S1	32	#4	2	3'-2"	68
S2	32	#4	4	7'-5"	159
S3	14	#4	6	6'-6"	61
U1	4	#4	5	4'-5"	12
V1	40	#4	STR	4'-8"	125
REINFORCING STEEL =					1920 LBS.
CLASS A CONCRETE BREAKDOWN					
POUR #1 CAP & LOWER PART OF WINGS					10.8 C.Y.
POUR #2 UPPER PART OF WINGS					1.6 C.Y.
POUR #3 LATERAL GUIDES					0.1 C.Y.
TOTAL CLASS A CONCRETE					12.5 C.Y.
HP 12 X 53 STEEL PILES					210 LIN. FT.
No. 7					



PILE SPLICE DETAILS

* POSITION OF PILE DURING WELDING.



BAGGED STONE AND PIPE SHALL BE PLACED IMMEDIATELY AFTER COMPLETION OF END BENT EXCAVATION. PIPE MAY BE EITHER CONCRETE, CORRUGATED STEEL, CORRUGATED ALUMINUM ALLOY, OR CORRUGATED PLASTIC. PERFORATED PIPE WILL NOT BE ALLOWED.

BAGGED STONE SHALL REMAIN IN PLACE UNTIL THE ENGINEER DIRECTS THAT IT BE REMOVED. THE CONTRACTOR SHALL REMOVE AND DISPOSE OF SILT ACCUMULATIONS AT BAGGED STONE WHEN SO DIRECTED BY THE ENGINEER. BAGS SHALL BE REMOVED AND REPLACED WHENEVER THE ENGINEER DETERMINES THAT THEY HAVE DETERIORATED AND LOST THEIR EFFECTIVENESS.

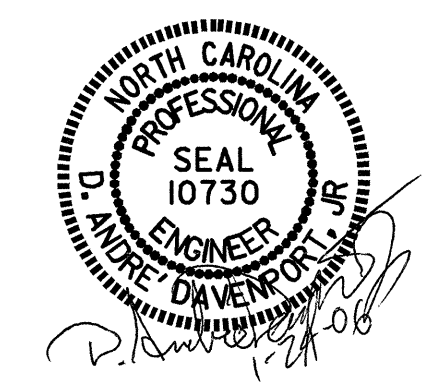
NO SEPARATE PAYMENT WILL BE MADE FOR THIS WORK AND THE ENTIRE COST OF THIS WORK SHALL BE INCLUDED IN THE UNIT CONTRACT PRICE BID FOR THE SEVERAL PAY ITEMS.

TEMPORARY DRAINAGE AT END BENT

PROJECT NO. B-4224
 PENDER/DUPLIN COUNTY
 STATION: 17+62.50 -L-

SHEET 3 OF 3

STATE OF NORTH CAROLINA DEPARTMENT OF TRANSPORTATION RALEIGH					
SUBSTRUCTURE END BENT #2					
REVISIONS					SHEET NO.
NO.	BY:	DATE:	NO.	BY:	DATE:
1			3		
2			4		
					S-25
					TOTAL SHEETS 28



DRAWN BY : S. P. LAM DATE : 2-25-05
 CHECKED BY : A. SORSENGINH DATE : 9-13-05