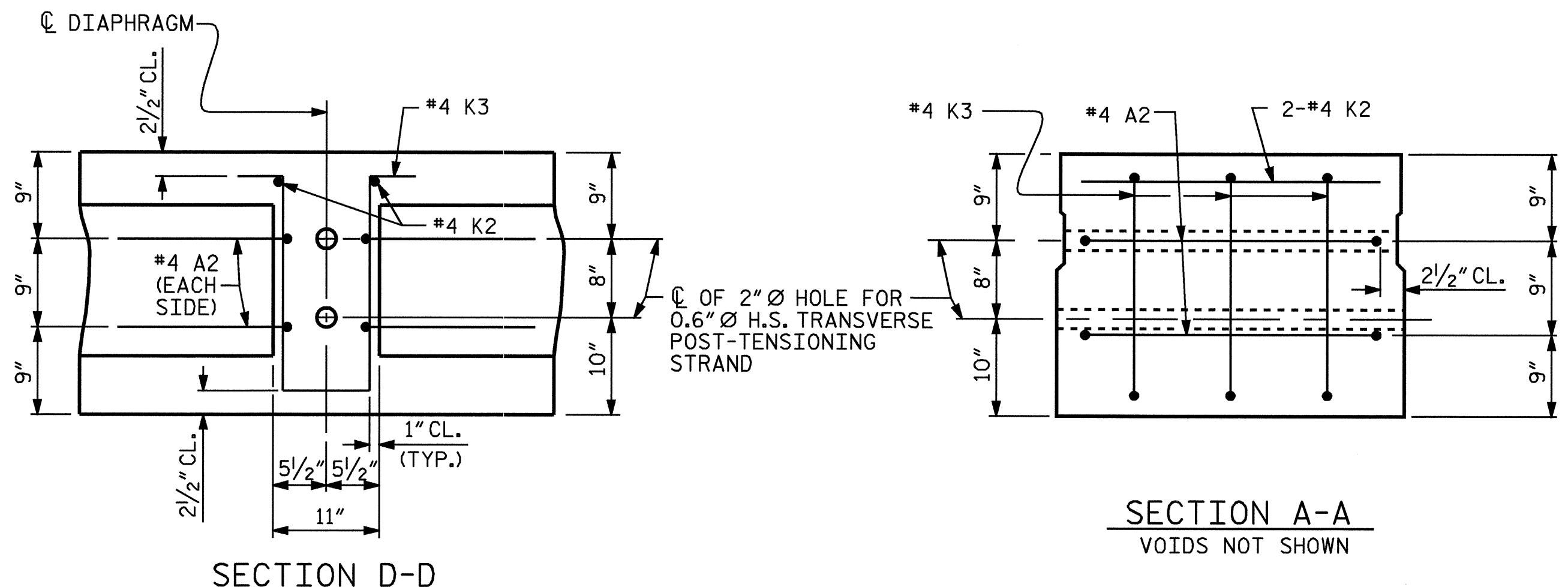
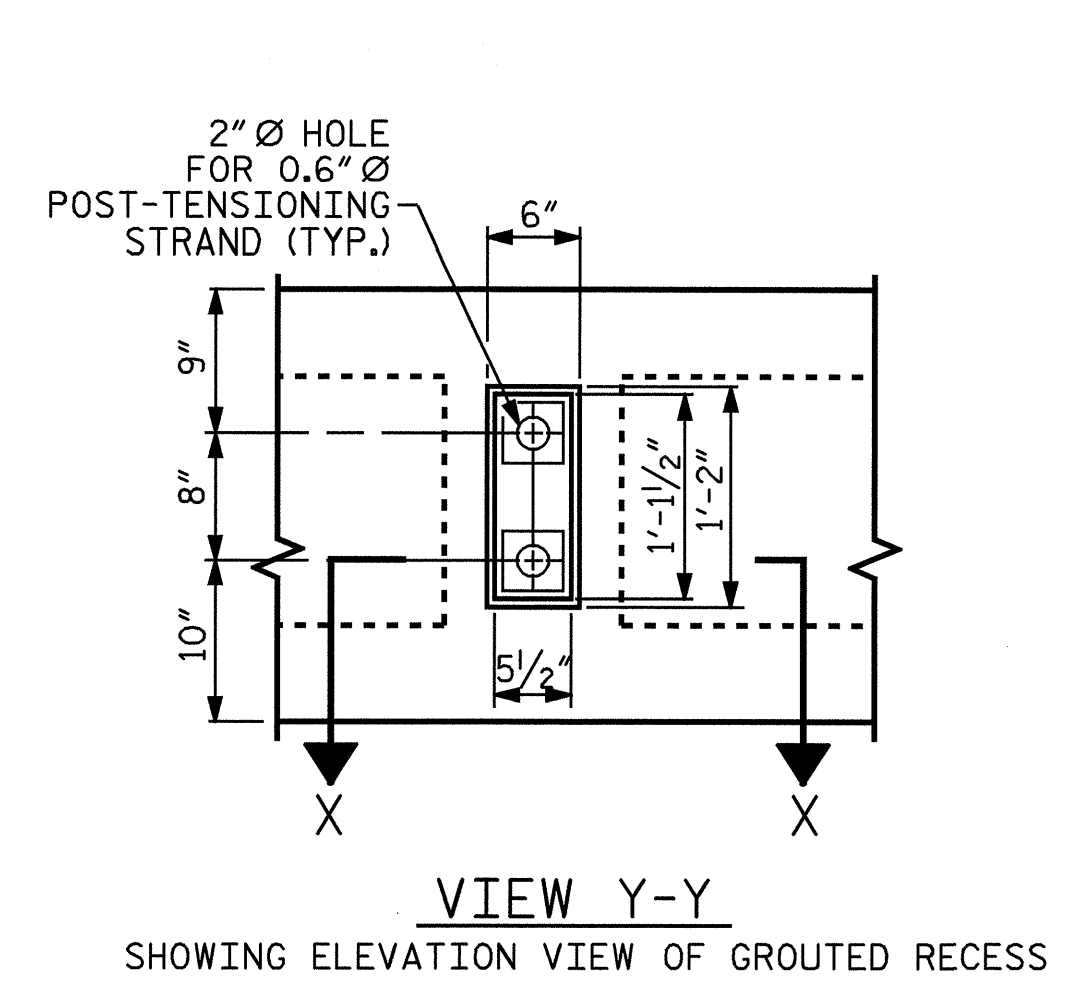


PLAN

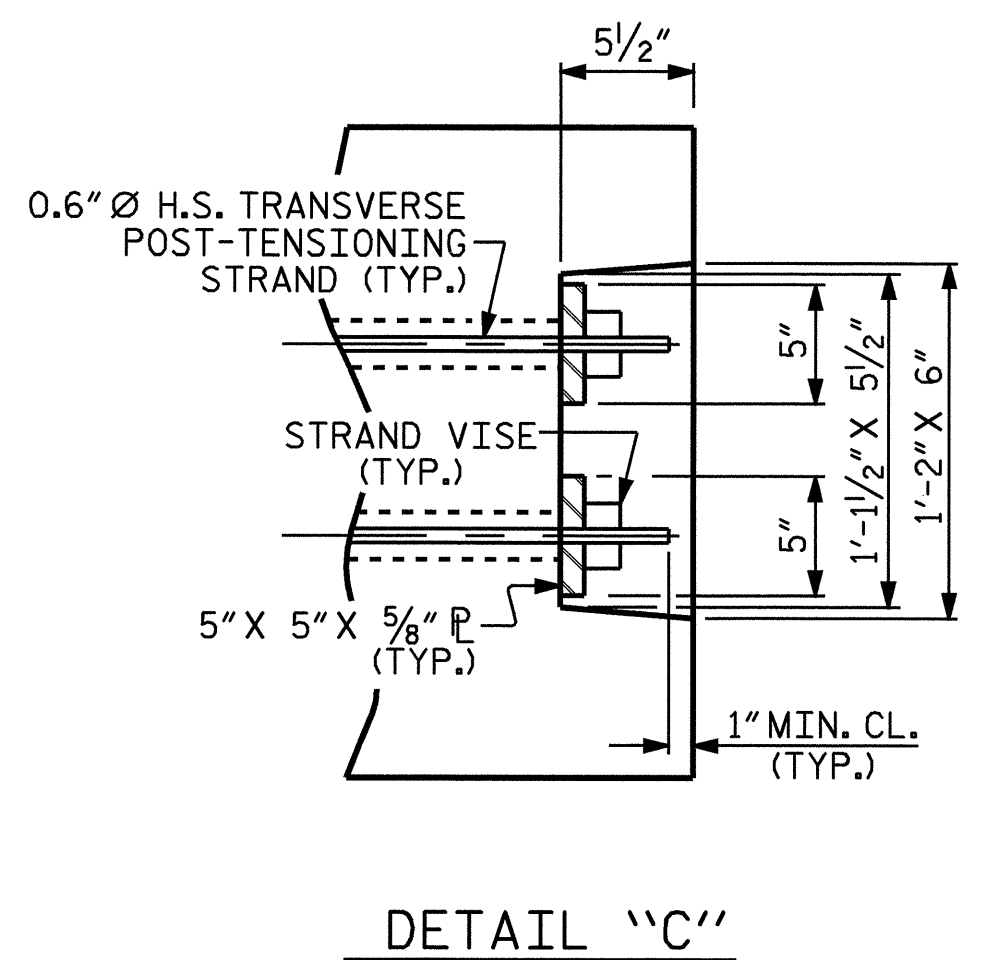


DOUBLE DIAPHRAGM DETAILS

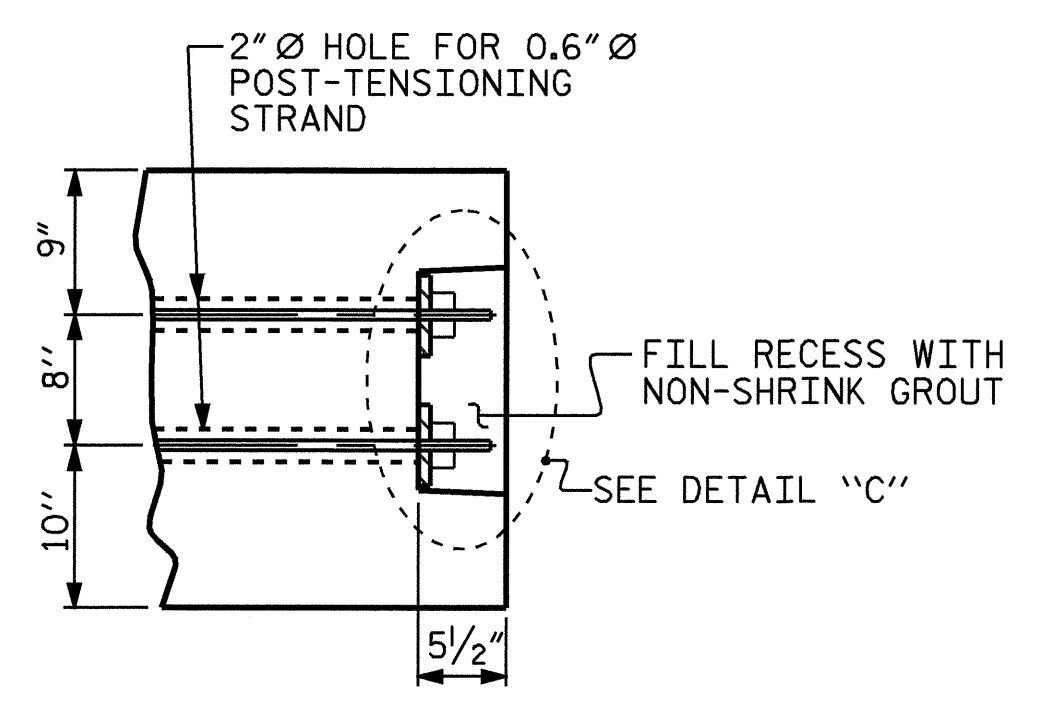
#4 "S" BARS NOT SHOWN. #4 "S" BARS MAY BE SHIFTED SLIGHTLY TO CLEAR 2" Ø HOLE.



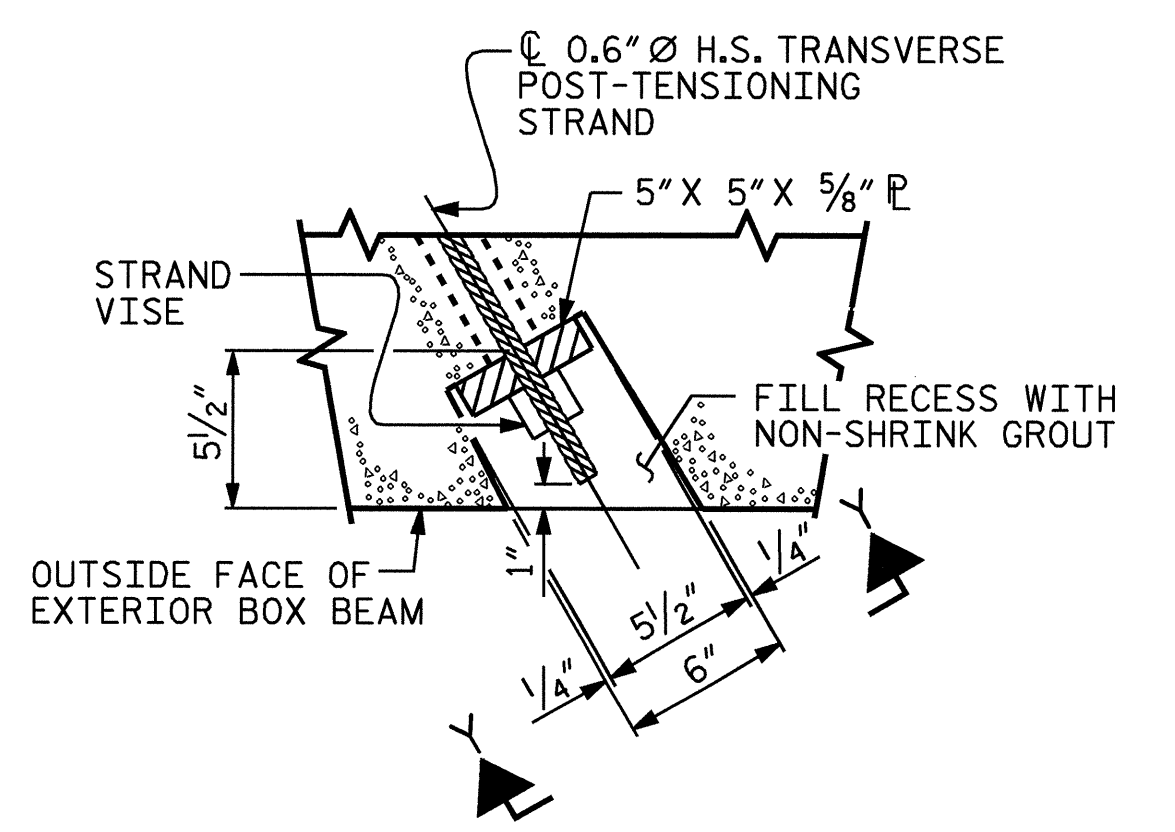
VIEW Y-Y
SHOWING ELEVATION VIEW OF GROUDED RECESS



DETAIL "C"

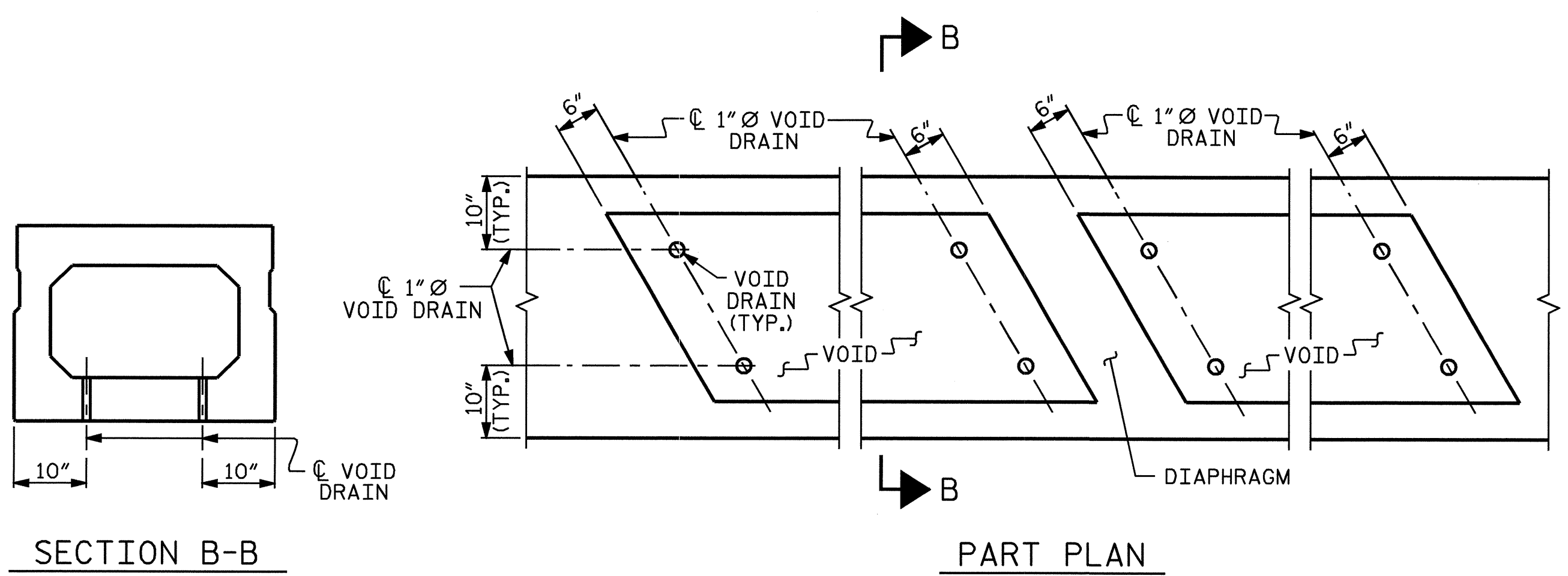


PART SECTION AT RECESS



SECTION X-X
SHOWING PLAN VIEW OF GROUDED RECESS

GROUDED RECESS DETAIL AT
END OF POST-TENSIONED STRANDS
OF EXTERIOR BOX BEAM



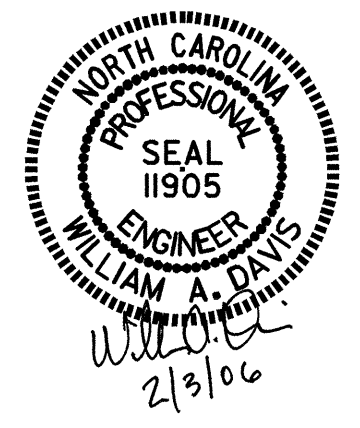
VOID DRAIN DETAILS

(DIMENSIONS SHOWN ARE TYPICAL FOR EACH VOID)

DEAD LOAD DEFLECTION AND CAMBER	
	3'-0" x 2'-3"
	0.6" Ø L.R. STRAND
	SPAN "B"
CAMBER (BEAM ALONE IN PLACE)	1/4" ↑
DEFLECTION DUE TO SUPERIMPOSED DEAD LOAD	1/16" ↓
FINAL CAMBER	3/16" ↑

PROJECT NO. B-4039
BURKE COUNTY
STATION: 14+12.00 -L-

SHEET 8 OF 8



STATE OF NORTH CAROLINA
DEPARTMENT OF TRANSPORTATION
RALEIGH
STANDARD
3'-0" X 2'-3"
PRESTRESSED CONCRETE
BOX BEAM UNIT
(SPAN B)

REVISIONS						SHEET NO. S-11
NO.	BY:	DATE:	NO.	BY:	DATE:	
1			3			TOTAL SHEETS 26
2			4			

ASSEMBLED BY : J. G. KHARVA	DATE : 11/22/05
CHECKED BY : V. NGUYEN	DATE : 1/12/06
DRAWN BY : TLA 5/05	ADDED 7/11/05
CHECKED BY : GM 6/05	