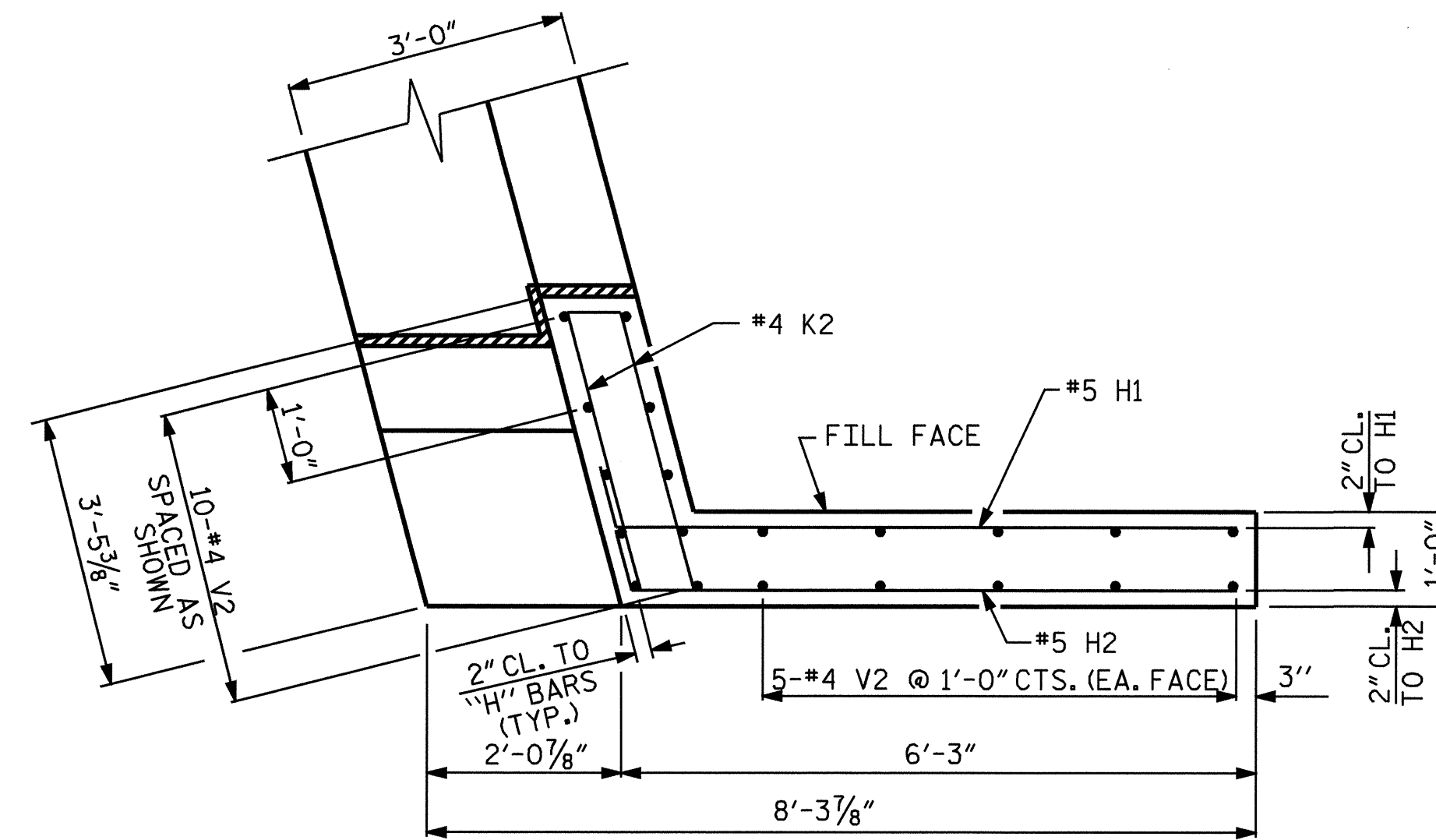
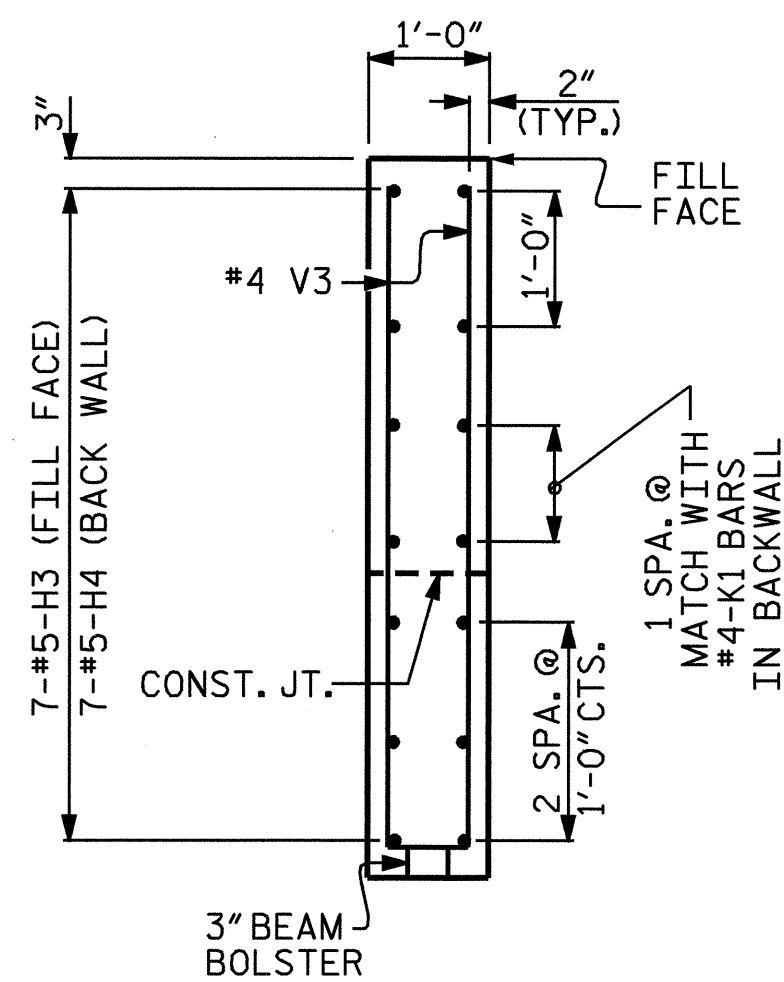


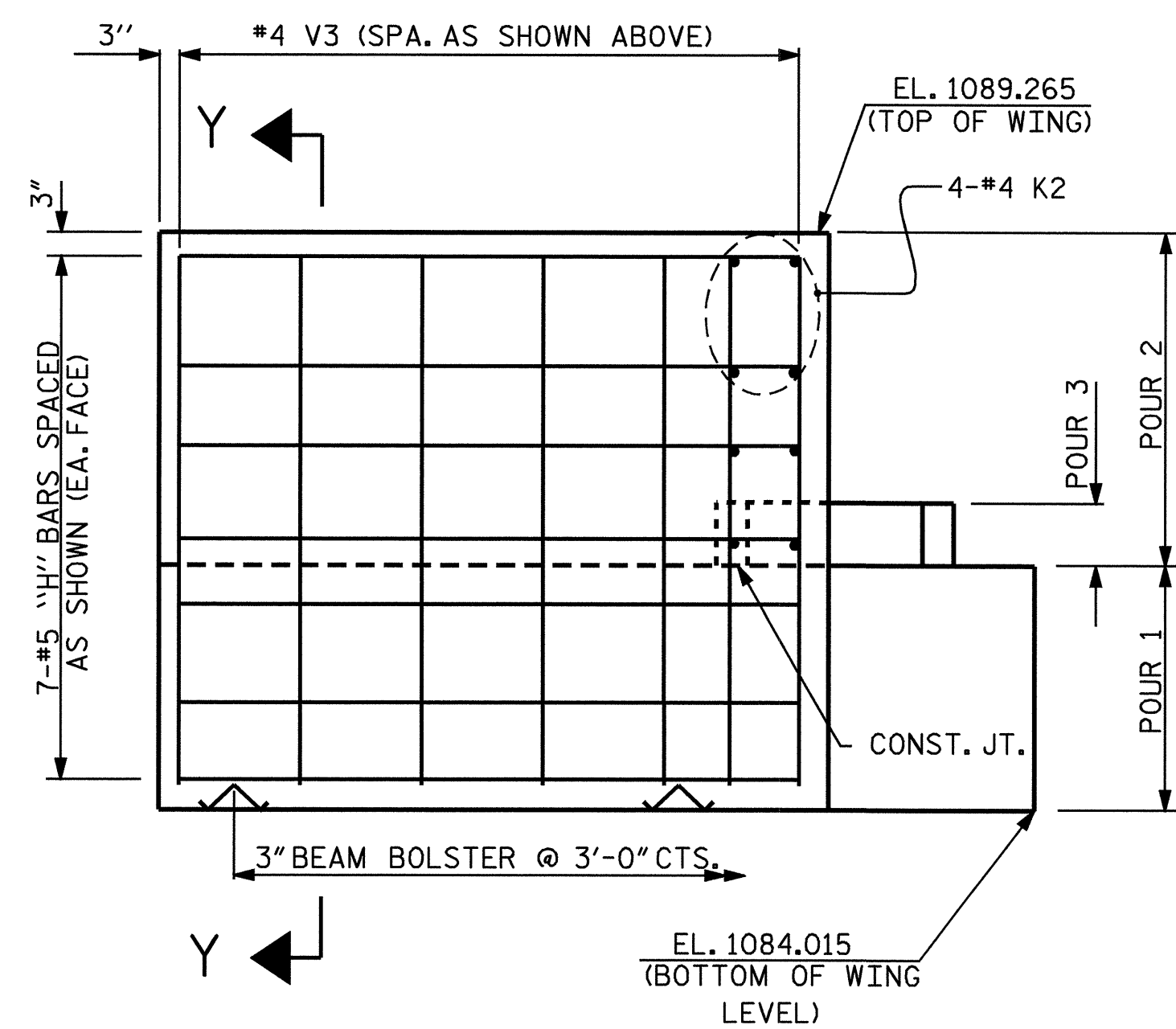
PLAN OF WING W1



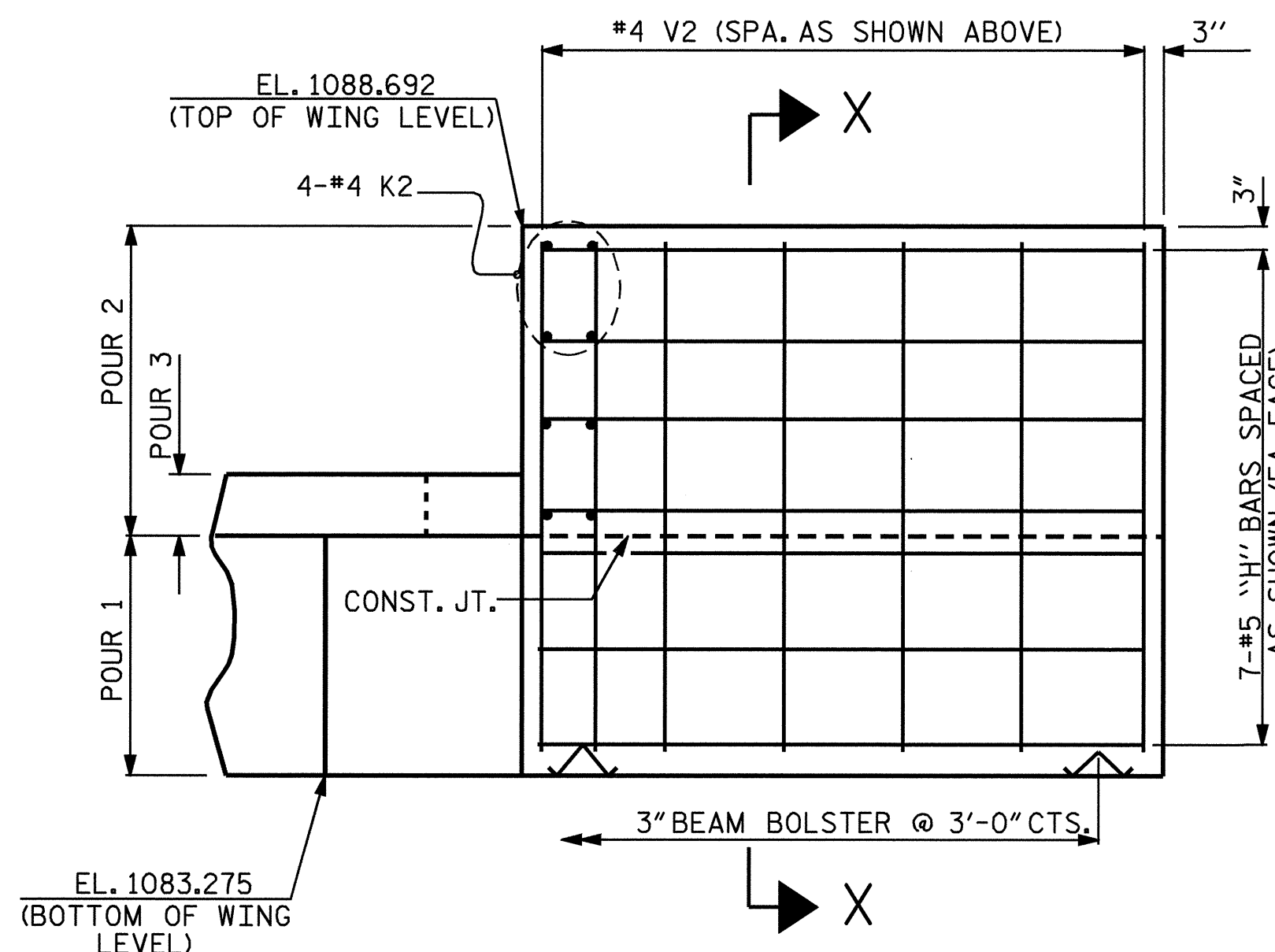
PLAN OF WING W2



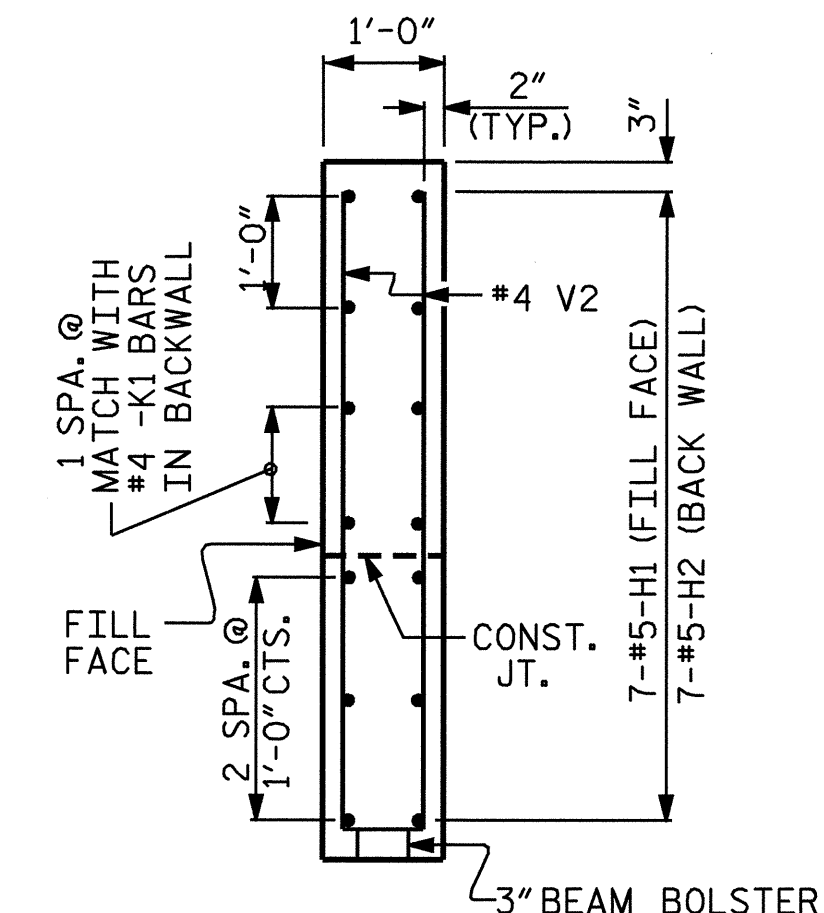
SECTION Y-Y



ELEVATION OF WING W1



ELEVATION OF WING W2

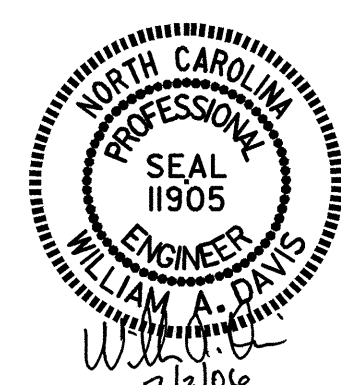


SECTION X-X

PROJECT NO. B-4039
 BURKE COUNTY
 STATION: 14+12.00 -L-

SHEET 2 OF 3

STATE OF NORTH CAROLINA DEPARTMENT OF TRANSPORTATION RALEIGH					
SUBSTRUCTURE END BENT #2					
REVISIONS					
NO.	BY:	DATE:	NO.	BY:	DATE:
1			3		
2			4		
SHEET NO. S-22					TOTAL SHEETS 26



DRAWN BY: G.O. COOPER DATE: 6/23/05
 CHECKED BY: J.G. KHARVA DATE: 12/29/05