

PLAN @ END BENT #1

PLAN @ END BENT #2

NOTES

FOR REINFORCED BRIDGE APPROACH FILL INCLUDING FABRIC, IMPERMEABLE GEOMEMBRANE, 4" Ø DRAINAGE PIPE, #78M STONE, AND SELECT MATERIAL, SEE ROADWAY PLANS.

TEMPORARY DRAINAGE AND TEMPORARY BERM AND SLOPE DRAINS WILL BE PAID FOR UNDER THE LUMP SUM PRICE FOR BRIDGE APPROACH SLAB.

AREA BETWEEN THE WINGWALL AND APPROACH SLAB SHALL BE GRADED TO DRAIN THE WATER AWAY FROM THE FILL FACE OF THE BRIDGE AND SHALL BE PAVED. SEE ROADWAY PLANS.

THE 6" COMP. A.B.C. SHALL EXTEND 10'-0" BEYOND THE END OF THE APPROACH SLAB AND 1'-0" OUTSIDE OF EACH EDGE OF SLAB.

THE CONTRACTOR MAY USE 4" TYPE B-25.0B ASPHALT CONCRETE BASE COURSE IN LIEU OF 6" COMP. A.B.C. IF THIS OPTION IS USED, THE BASE COURSE SHALL EXTEND 1'-0" BEYOND THE END OF THE APPROACH SLAB AND THE WIDTH SHALL BE THE SAME AS THAT OF THE APPROACH SLAB.

THE CONTRACTOR MAY USE 5" CLASS "A" CONCRETE BASE IN LIEU OF 6" COMP. A.B.C. IF THIS OPTION IS USED, THE CONCRETE BASE SHALL EXTEND 1'-0" BEYOND THE END OF THE APPROACH SLAB AND THE WIDTH SHALL BE THE SAME AS THAT OF THE APPROACH SLAB. THE CONCRETE SHALL BE FINISHED TO A SMOOTH SURFACE AND A LAYER OF 30 LB ROOFING FELT SHALL BE PLACED BETWEEN THE CONCRETE BASE AND THE APPROACH SLAB TO PREVENT BOND. THE APPROACH SLAB SHALL NOT BE CAST UNTIL THE CONCRETE BASE HAS REACHED AN AGE OF THREE CURING DAYS.

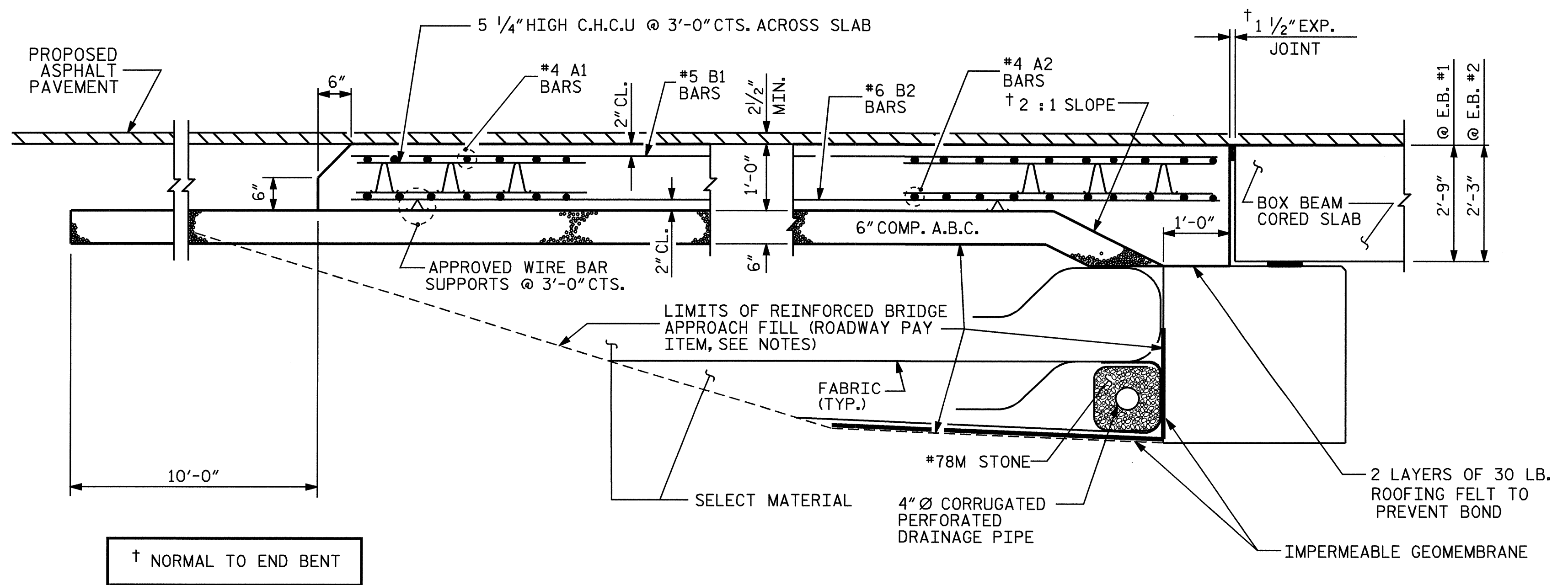
FOR JOINT DETAILS, SEE "PRESTRESSED CONCRETE BOX BEAM TYPICAL SECTION" SHEETS.

THE JOINT AT THE END BENT SHALL BE SEALED AS SOON AS PRACTICAL AFTER THE CONSTRUCTION OF THE APPROACH SLABS.

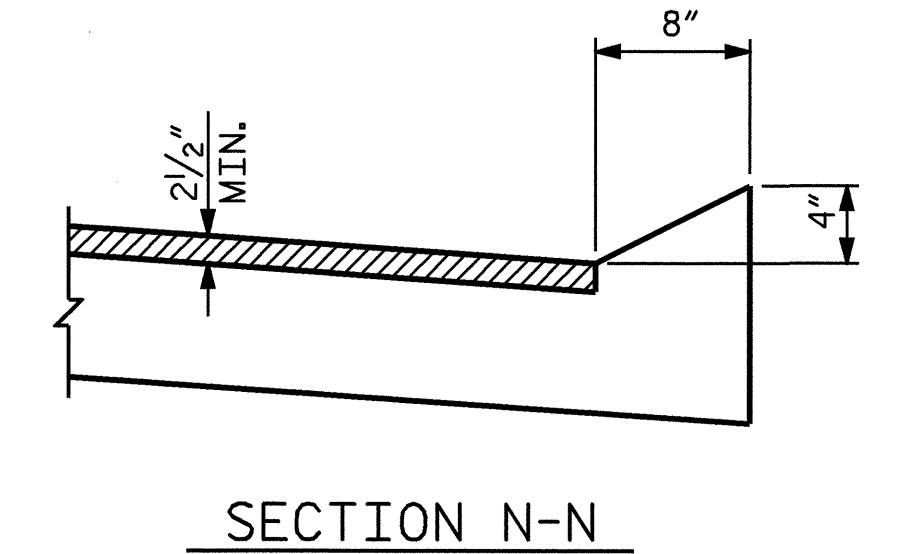
APPROACH SLAB GROOVING IS NOT REQUIRED.

BILL OF MATERIAL					
FOR APPROACH SLAB @ E.B. #1					
BAR	NO.	SIZE	TYPE	LENGTH	WEIGHT
*A1	24	#5	STR	20'-7"	330
A2	24	#6	STR	20'-6"	329
*B1	152	#4	STR	11'-7"	1757
B2	152	#4	STR	11'-7"	2165
REINFORCING STEEL				LBS.	2274
*EPOXY COATED REINFORCING STEEL				LBS.	2235
CLASS AA CONCRETE				C.Y.	23.6

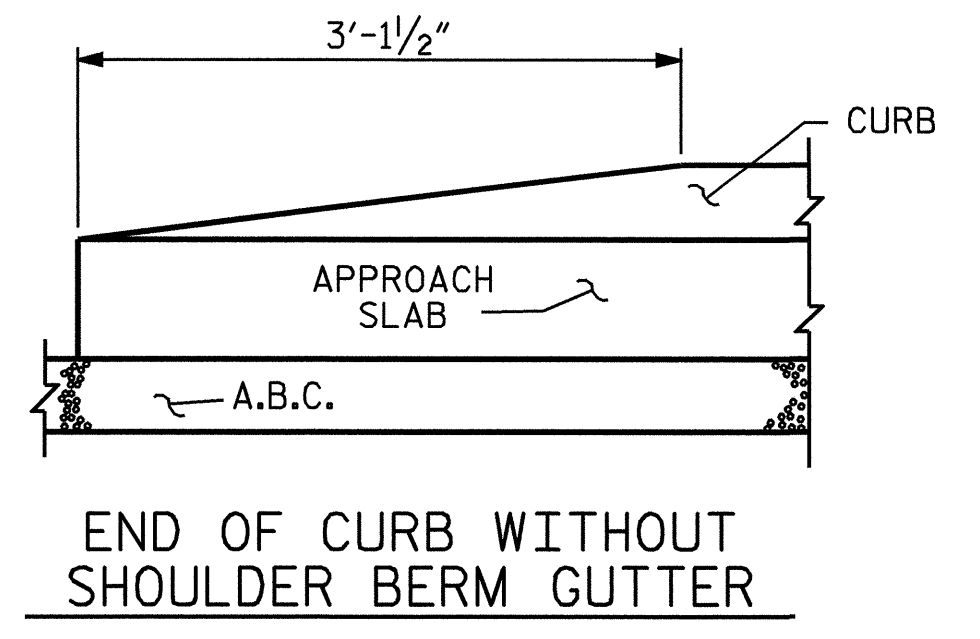
BILL OF MATERIAL					
FOR APPROACH SLAB @ E.B. #2					
BAR	NO.	SIZE	TYPE	LENGTH	WEIGHT
*A1	24	#5	STR	20'-7"	330
A2	24	#6	STR	20'-6"	329
*B1	152	#4	STR	11'-7"	1757
B2	152	#4	STR	11'-7"	2165
REINFORCING STEEL				LBS.	2274
*EPOXY COATED REINFORCING STEEL				LBS.	2235
CLASS AA CONCRETE				C.Y.	20.8



SECTION THRU SLAB



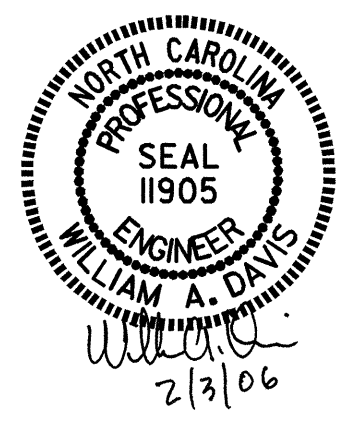
SECTION N-N



CURB DETAILS

PROJECT NO. B-4039
 BURKE COUNTY
 STATION: 14+12.00 -L-

SHEET 1 OF 2
 STATE OF NORTH CAROLINA
 DEPARTMENT OF TRANSPORTATION
 RALEIGH
 STANDARD
 BRIDGE APPROACH SLAB
 FOR PRESTRESSED
 CONCRETE BOX BEAM



ASSEMBLED BY: J.L. WALTON	DATE: 9/05
CHECKED BY: J.G. KHARVA	DATE: 9/05
DRAWN BY: FCJ 6/87	REV. 10/17/00 RWW/LES
CHECKED BY: EGA 6/87	REV. 7/10/01 LES/RDR
	REV. 5/7/03R RWW/JTE

REVISIONS						SHEET NO.	
NO.	BY:	DATE:	NO.	BY:	DATE:	S-25	
1			3			TOTAL SHEETS	
2			4			26	