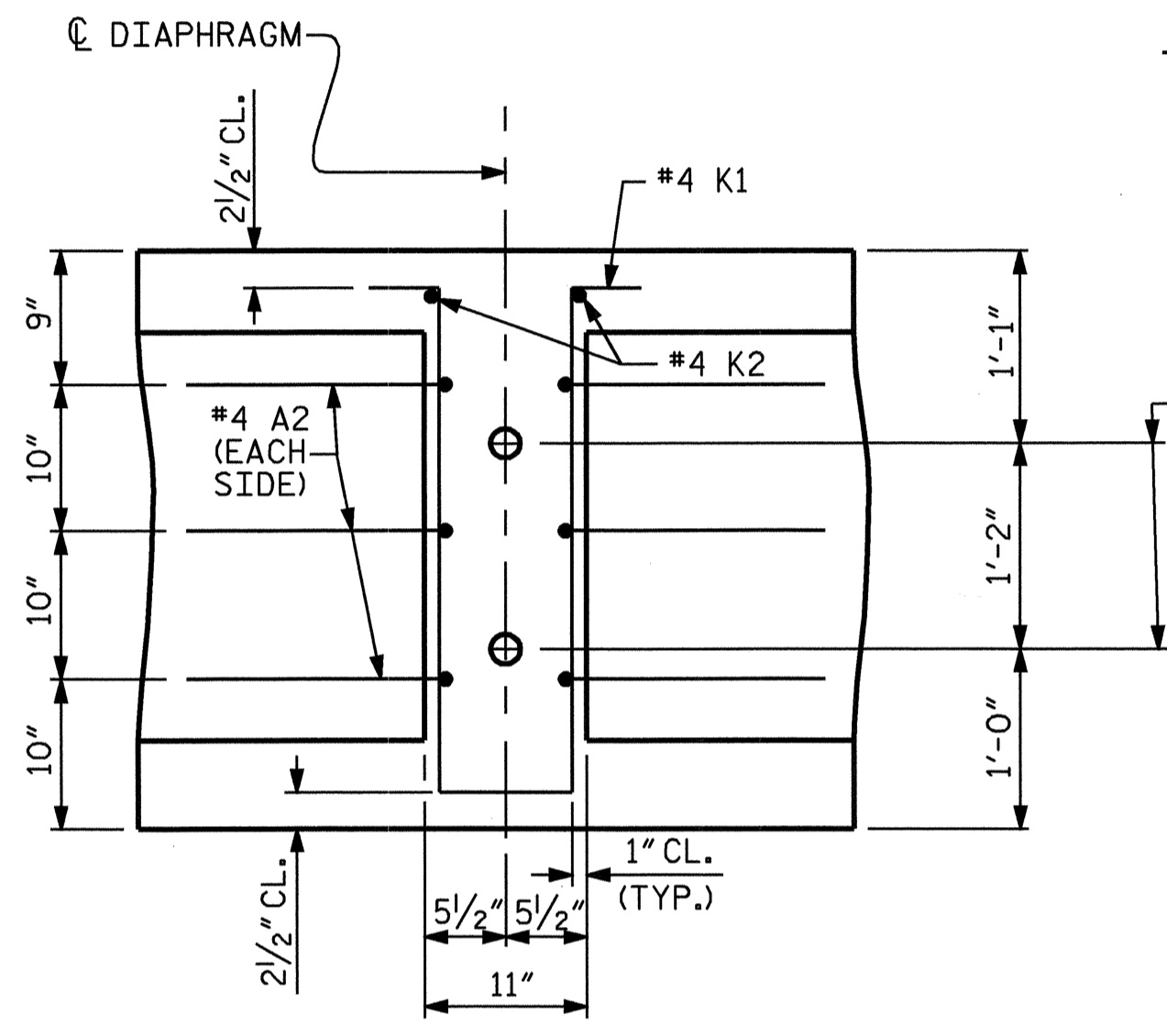
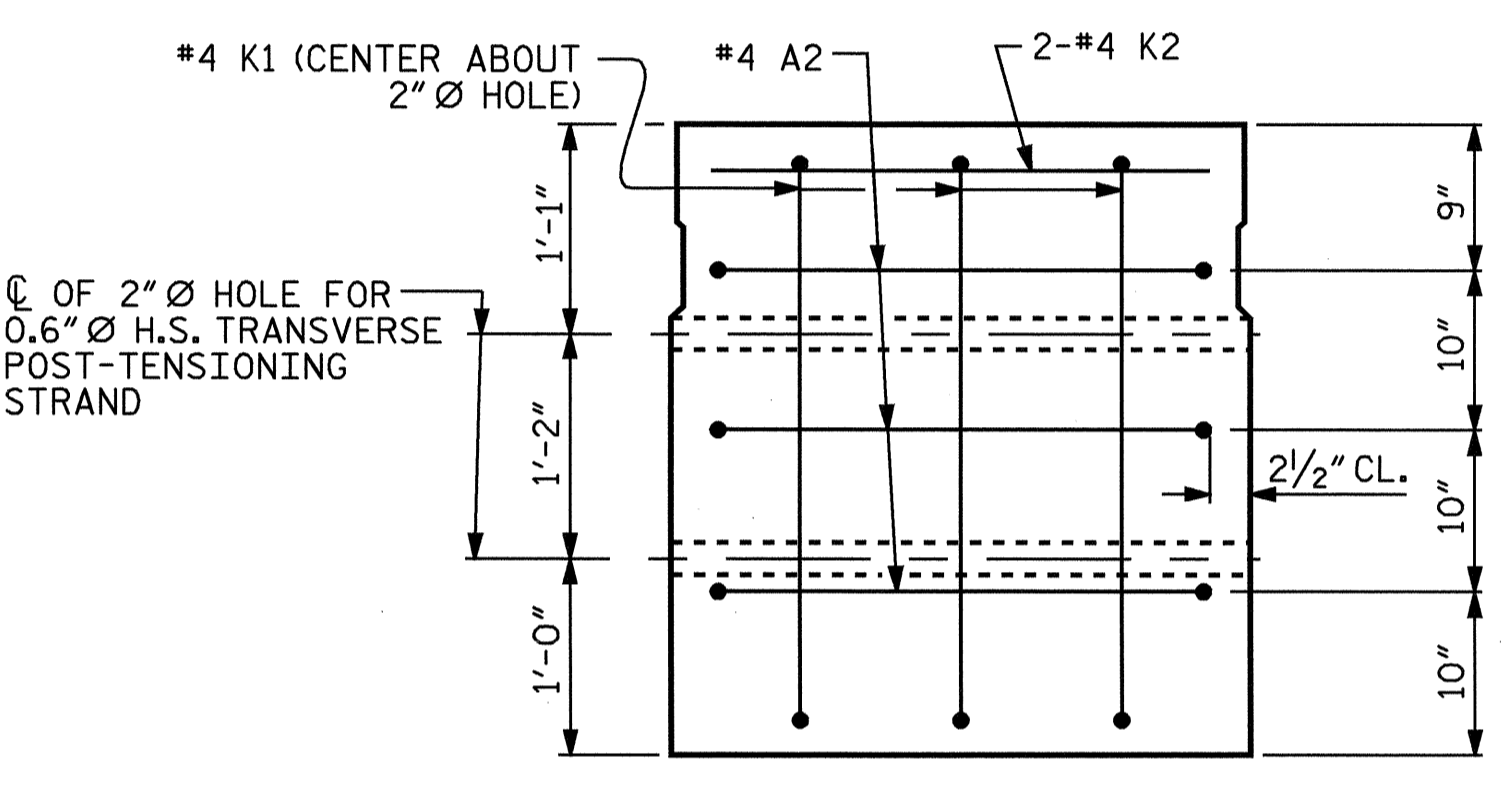


PLAN



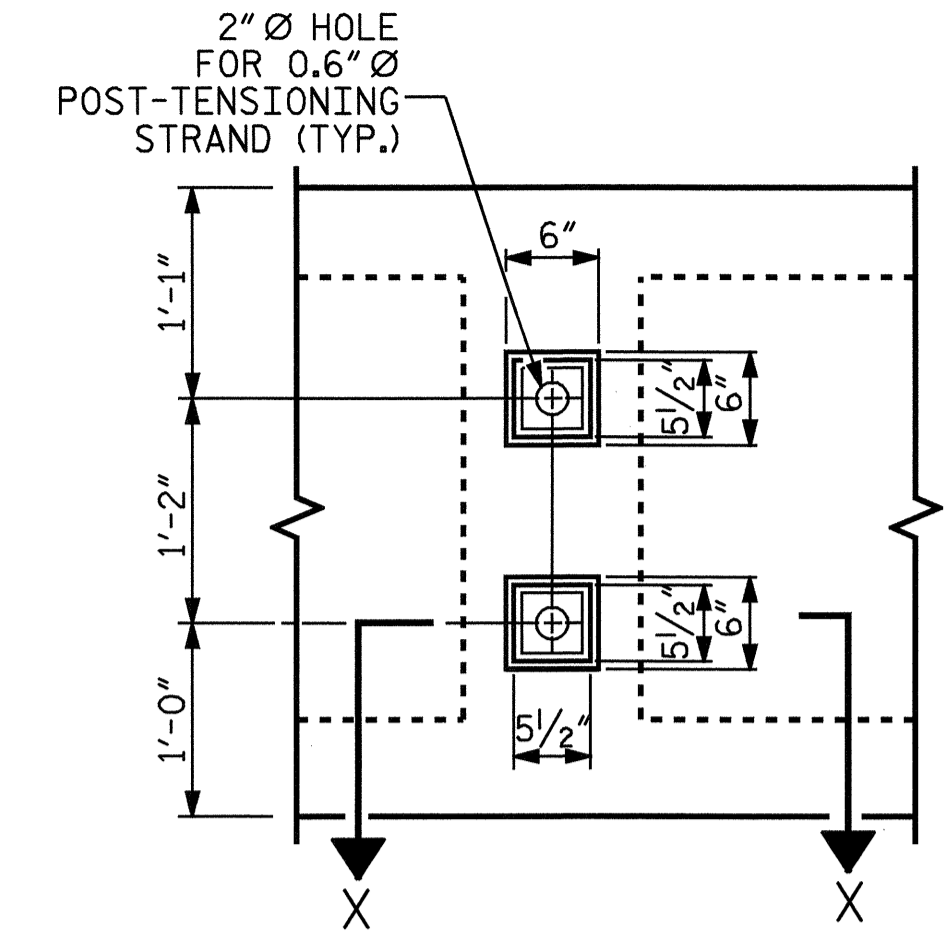
SECTION D-D



SECTION A-A
VOIDS NOT SHOWN

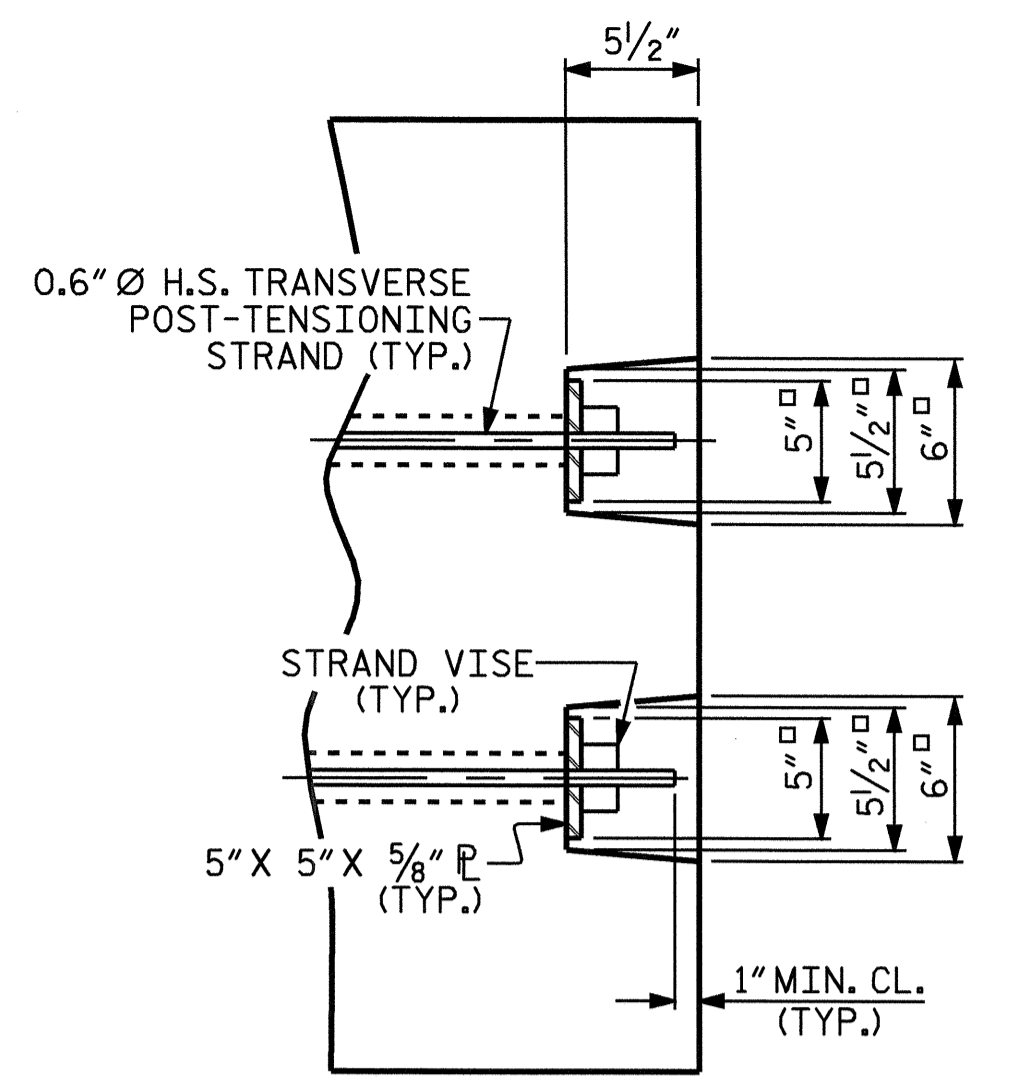
DOUBLE DIAPHRAGM DETAILS FOR 39" BOX BEAM

#4 "S" BARS NOT SHOWN. #4 "S" BARS MAY BE SHIFTED SLIGHTLY TO CLEAR 2" Ø HOLE.

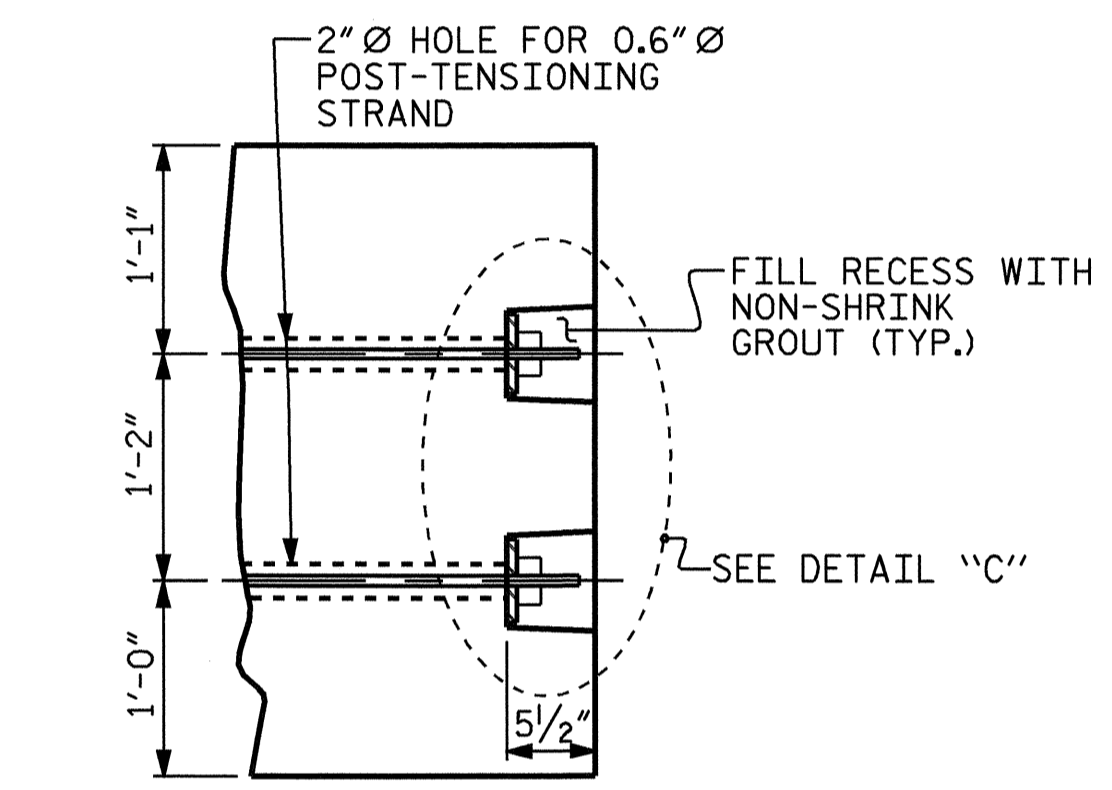


VIEW Y-Y

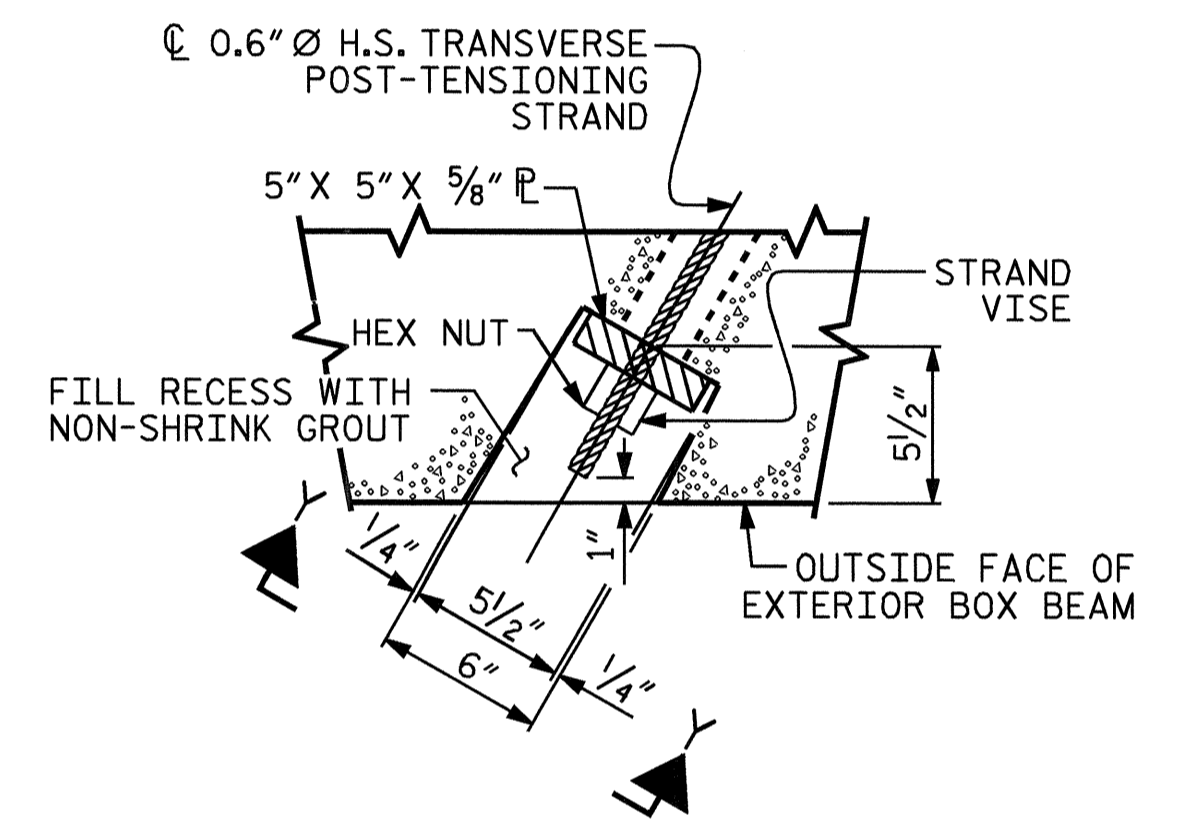
SHOWING ELEVATION VIEW OF GROUDED RECESS



DETAIL "C"



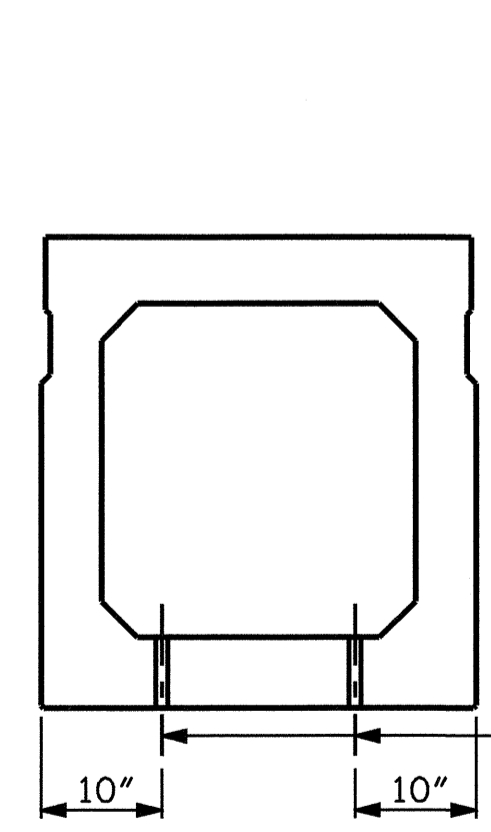
PART SECTION AT RECESS



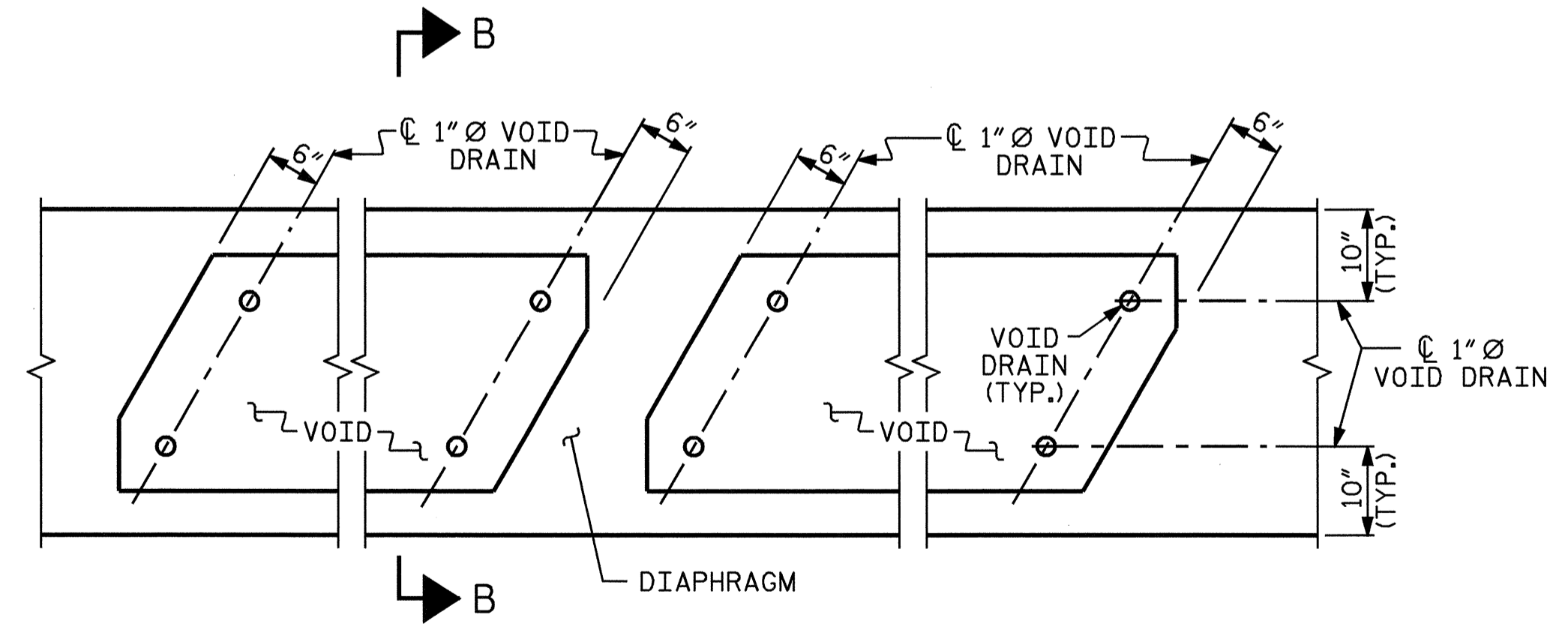
SECTION X-X

SHOWING PLAN VIEW OF GROUDED RECESS

GROUDED RECESS DETAIL AT
END OF POST-TENSIONED STRANDS
OF EXTERIOR 39" BOX BEAM



SECTION B-B



PART PLAN

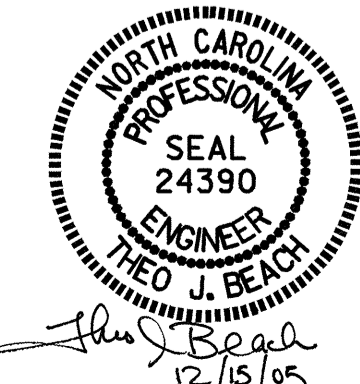
VOID DRAIN DETAILS

(DIMENSIONS SHOWN ARE TYPICAL FOR EACH VOID)

PROJECT NO. B-4007
ALLEGHANY COUNTY
STATION: 17+03.50 -L-

SHEET 6 OF 7

STATE OF NORTH CAROLINA
DEPARTMENT OF TRANSPORTATION
RALEIGH
STANDARD
3'-0" X 3'-3"
PRESTRESSED CONCRETE
BOX BEAM UNIT



ASSEMBLED BY : N. PIERCE DATE : 7/05
CHECKED BY : MIKE BRITT DATE : 7/05

15-DEC-2005 07:48
R:\STRUCT\B4007\NPIerce\B4007-L.DGN
nplerce

| REVISIONS | | | | | | SHEET NO. |
|-----------|-----|-------|-----|-----|-------|--------------|
| NO. | BY: | DATE: | NO. | BY: | DATE: | S-9 |
| 1 | | | 3 | | | TOTAL SHEETS |
| 2 | | | 4 | | | 23 |