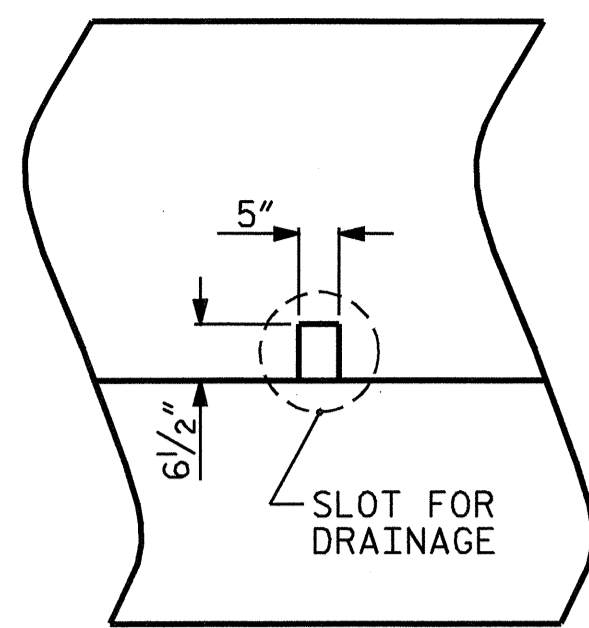
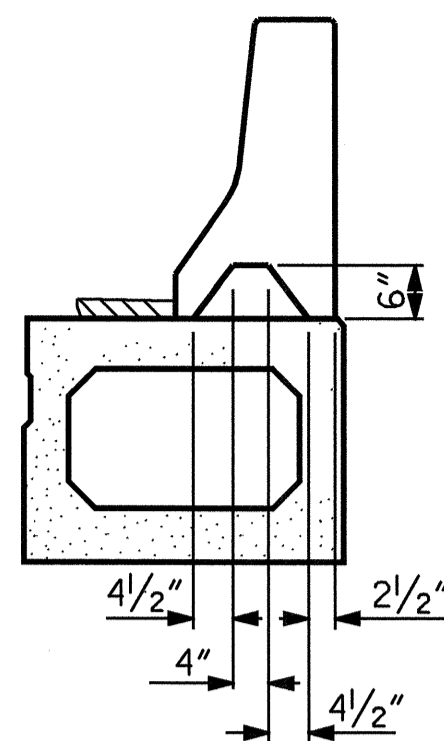


SECTION THRU RAIL

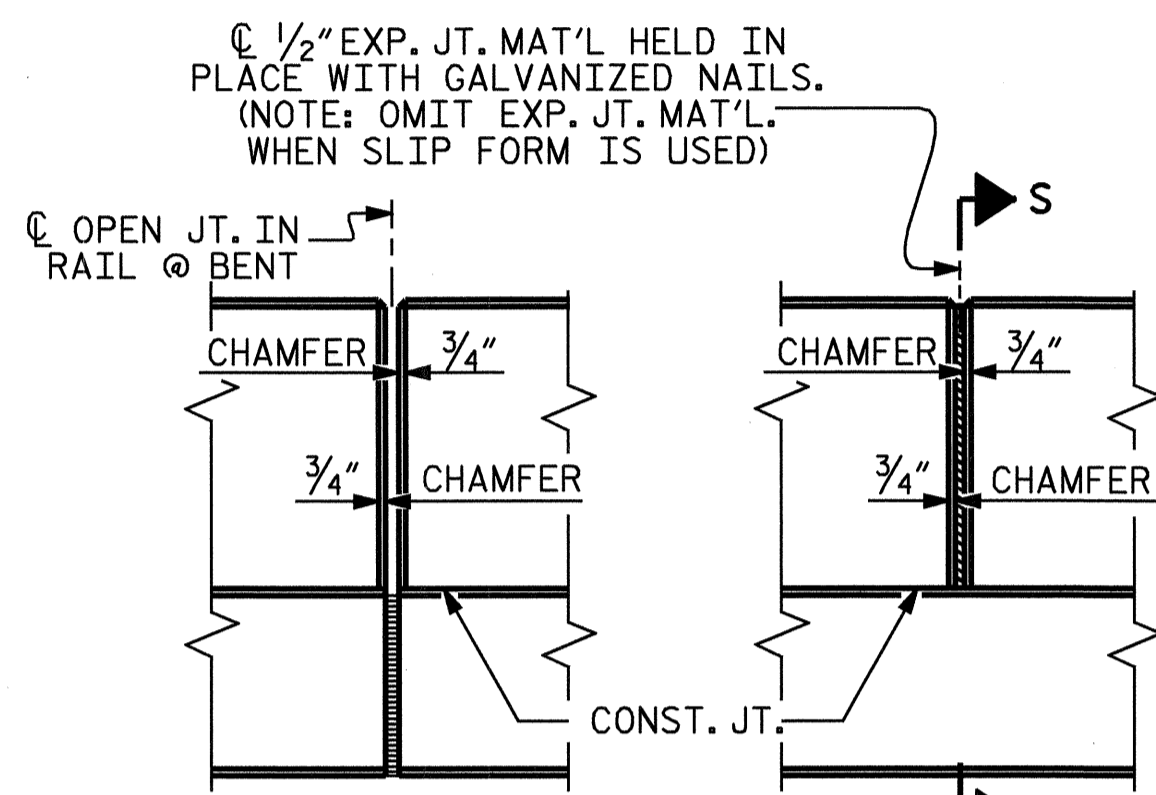


VIEW A-A
SEE PLAN OF SPANS
FOR LOCATION OF SLOTS



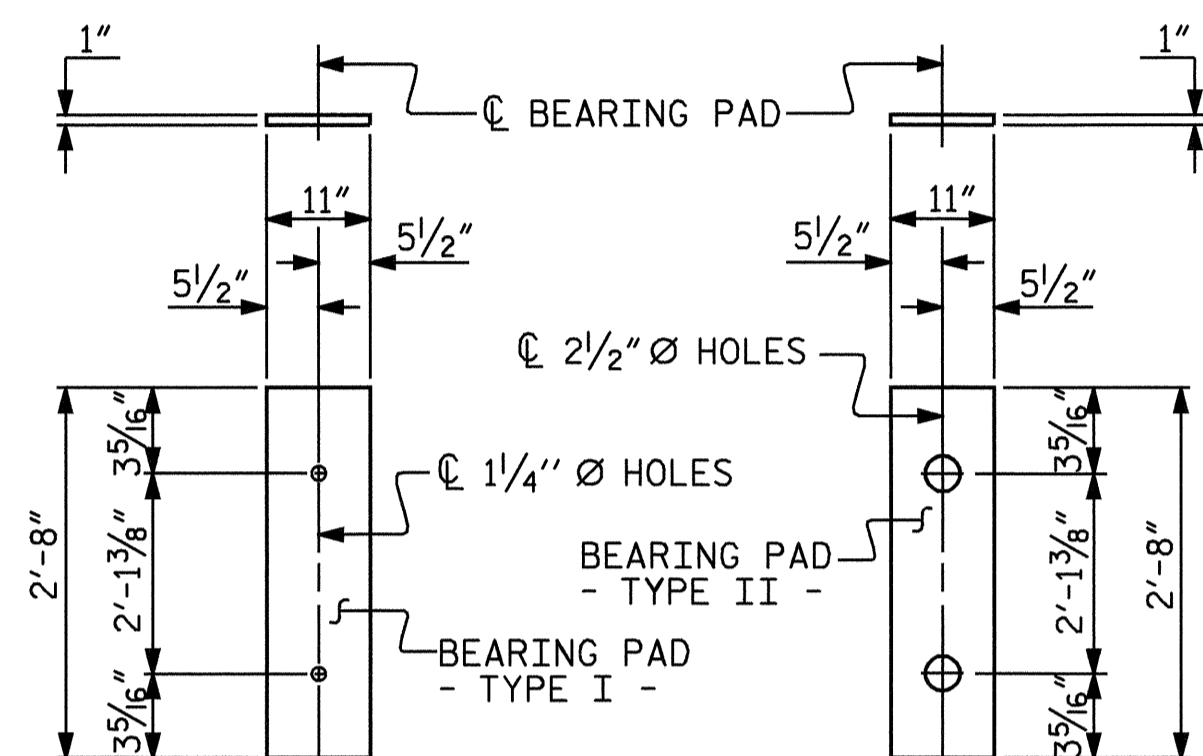
SECTION S-S

AT DAM IN OPEN JOINT
(THIS IS TO BE USED ONLY
WHEN SLIP FORM IS USED)



ELEVATION AT EXPANSION JOINTS

BARRIER RAIL DETAILS



FIXED END (TYPE I - 22 REQ'D) EXPANSION END (TYPE II - 22 REQ'D)

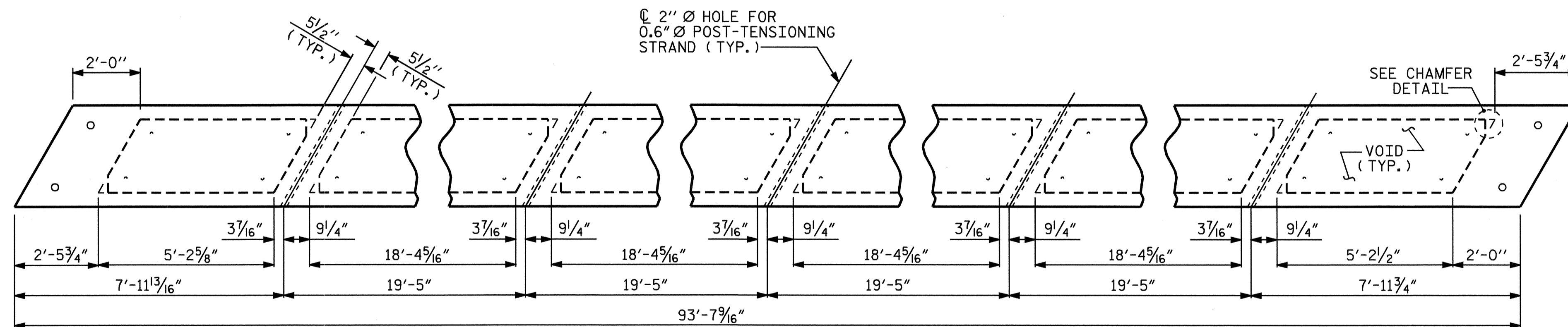
ELASTOMERIC BEARING DETAILS

BEARING PADS SHALL BE 60 DUROMETER HARDNESS

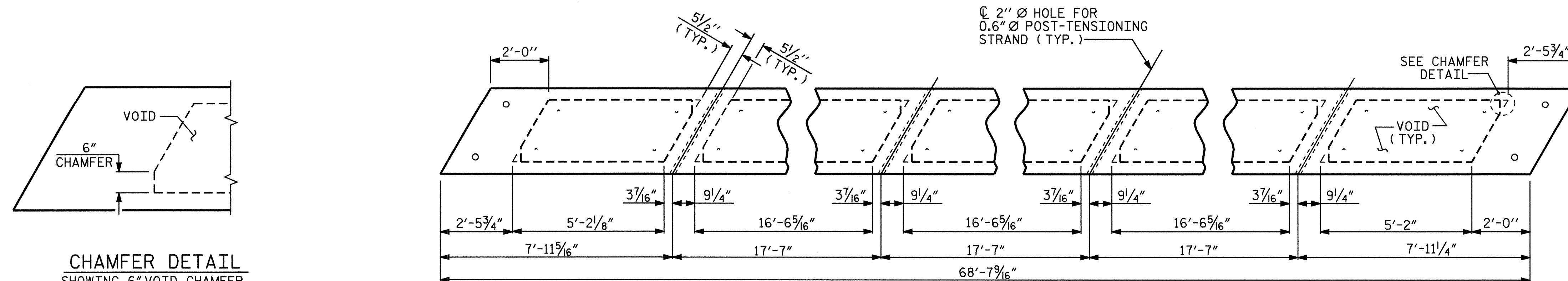
BILL OF MATERIAL FOR CONCRETE BARRIER RAIL							
BAR	BARS PER SPAN		TOTAL NO.	SIZE	TYPE	LENGTH	WEIGHT
	SPAN A	SPAN B					
*B2	112	-	112	#5	STR	13'-5"	1567
*B4	-	84	84	#5	STR	13'-2"	1154
*S6	244	178	422	#5	10	5'-8"	2494
* EPOXY COATED REINFORCING STEEL LBS.							5215
CLASS AA CONCRETE CU.YDS.							39.6
TOTAL LIN. FT. OF CONCRETE BARRIER RAIL							324.52

DEAD LOAD DEFLECTION AND CAMBER		
	3'-0" x 3'-3"	
	0.6" Ø L.R. STRAND	
	SPAN A	SPAN B
CAMBER (BEAM ALONE IN PLACE) ↑	3/4"	2"
DEFLECTION DUE TO SUPERIMPOSED DEAD LOAD** ↓	1"	5/16"
FINAL CAMBER ↑	2/4"	1 1/16"

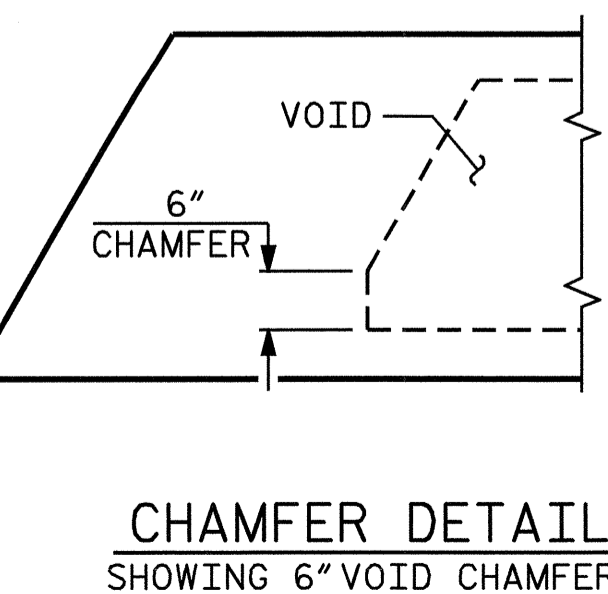
** INCLUDES FUTURE WEARING SURFACE



DIAPHRAGM AND VOID LAYOUT FOR SPAN A



DIAPHRAGM AND VOID LAYOUT FOR SPAN B

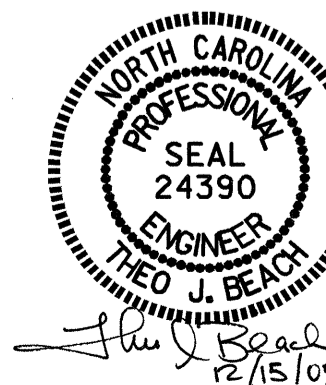


CHAMFER DETAIL
SHOWING 6" VOID CHAMFER

BOX BEAM UNITS REQUIRED			
	NUMBER	LENGTH	TOTAL LENGTH
SPAN A			
EXTERIOR B.B.	2	93'-7 9/16"	187'-3 3/8"
INTERIOR B.B.	9	93'-7 9/16"	842'-8 1/16"
SPAN B			
EXTERIOR B.B.	2	68'-7 9/16"	137'-3 3/8"
INTERIOR B.B.	9	68'-7 9/16"	617'-8 1/16"
TOTAL	22		1784.86'

PROJECT NO. B-4007
ALLEGHANY COUNTY
 STATION: 17+03.50 -L-

SHEET 7 OF 7



STATE OF NORTH CAROLINA
 DEPARTMENT OF TRANSPORTATION
 RALEIGH

3'-0" X 3'-3"
 PRESTRESSED CONCRETE
 BOX BEAM UNIT DETAILS

REVISIONS						SHEET NO.
NO.	BY:	DATE:	NO.	BY:	DATE:	S-10
1			3			TOTAL SHEETS 23
2			4			

ASSEMBLED BY: N. PIERCE DATE: 4/05
 CHECKED BY: MIKE BRITT DATE: 7/05

15-DEC-2005 07:48
 R:\STRUCT\B4007\NPierce\B4007.dgn
 npierce