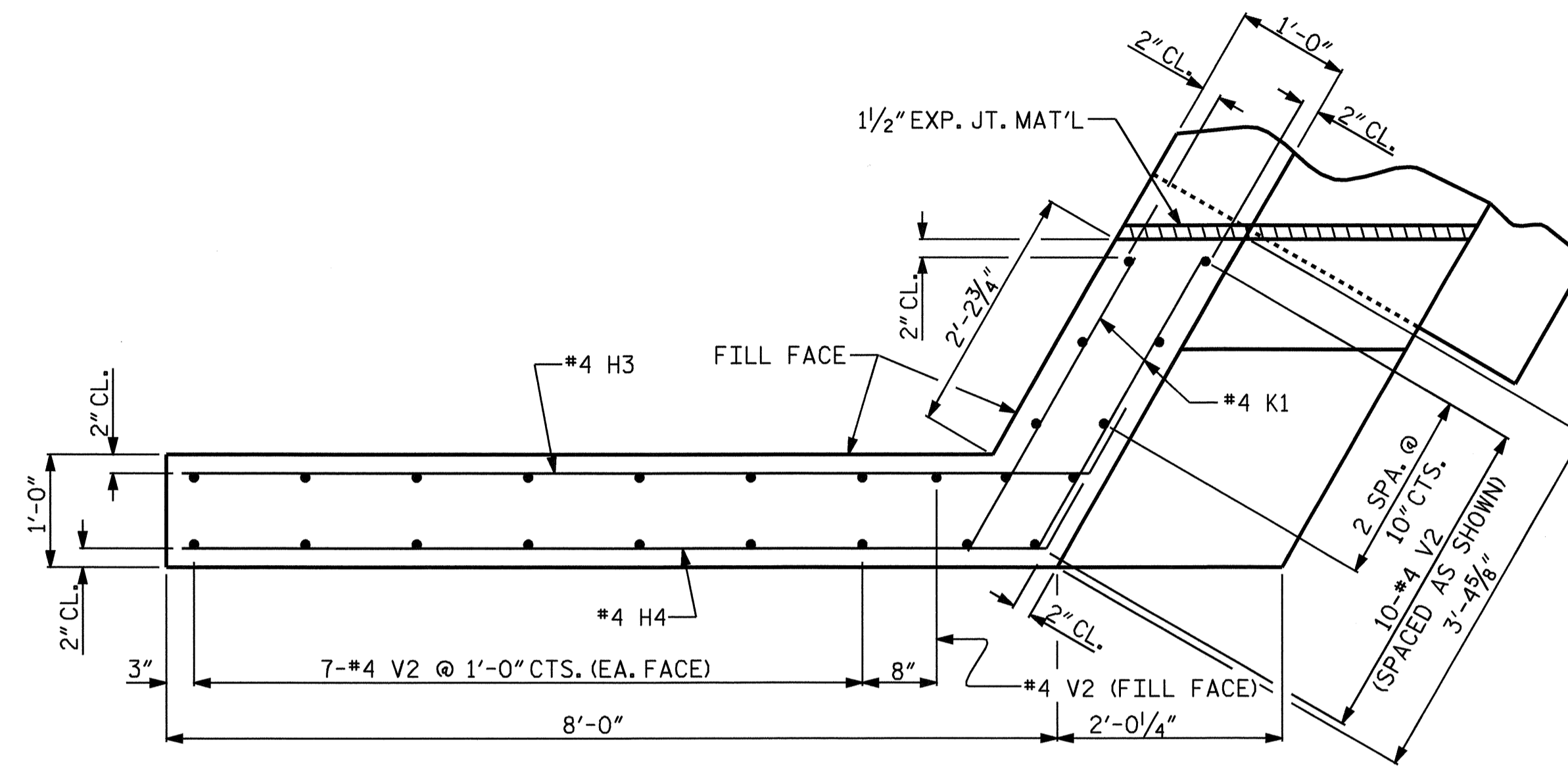
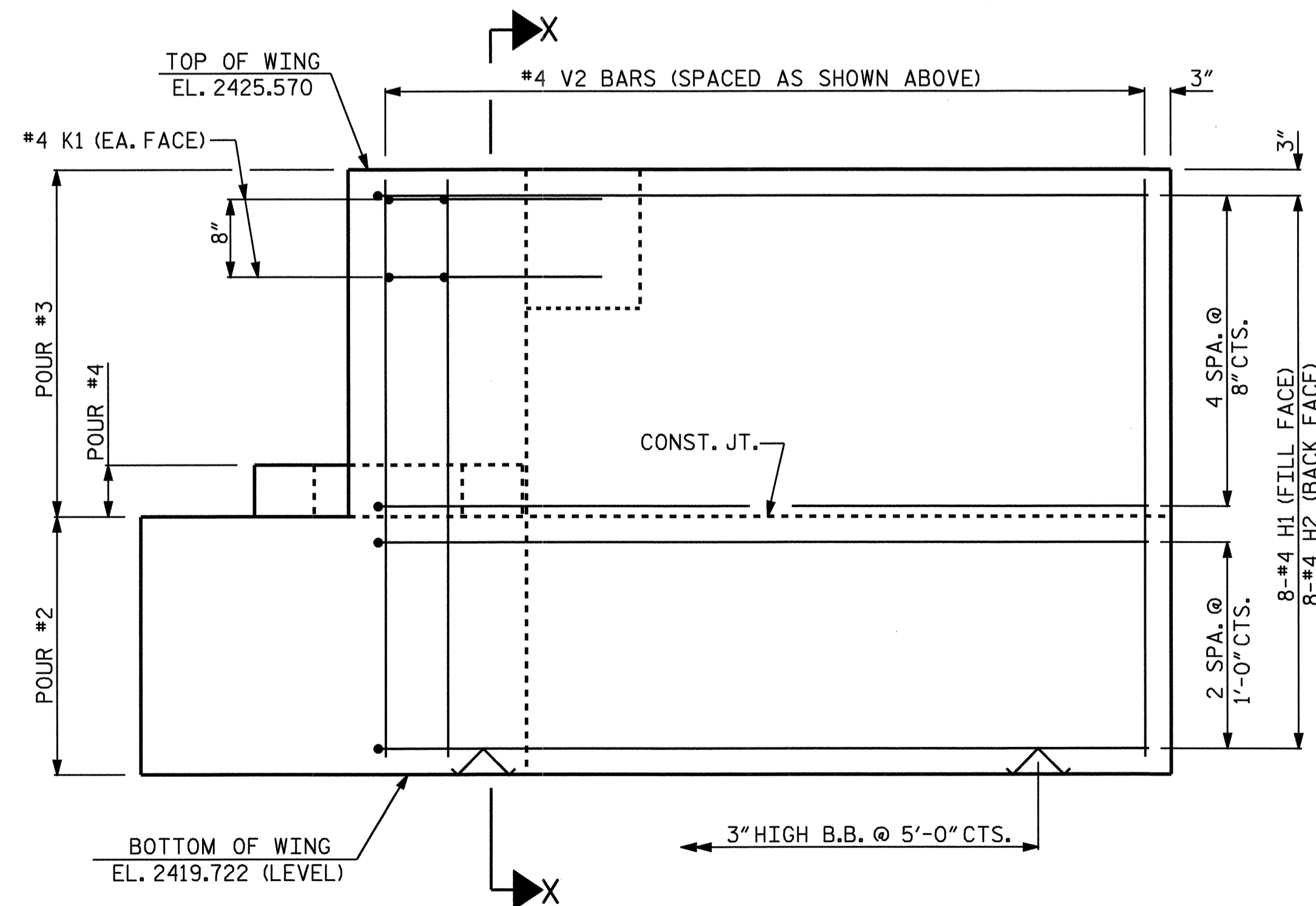


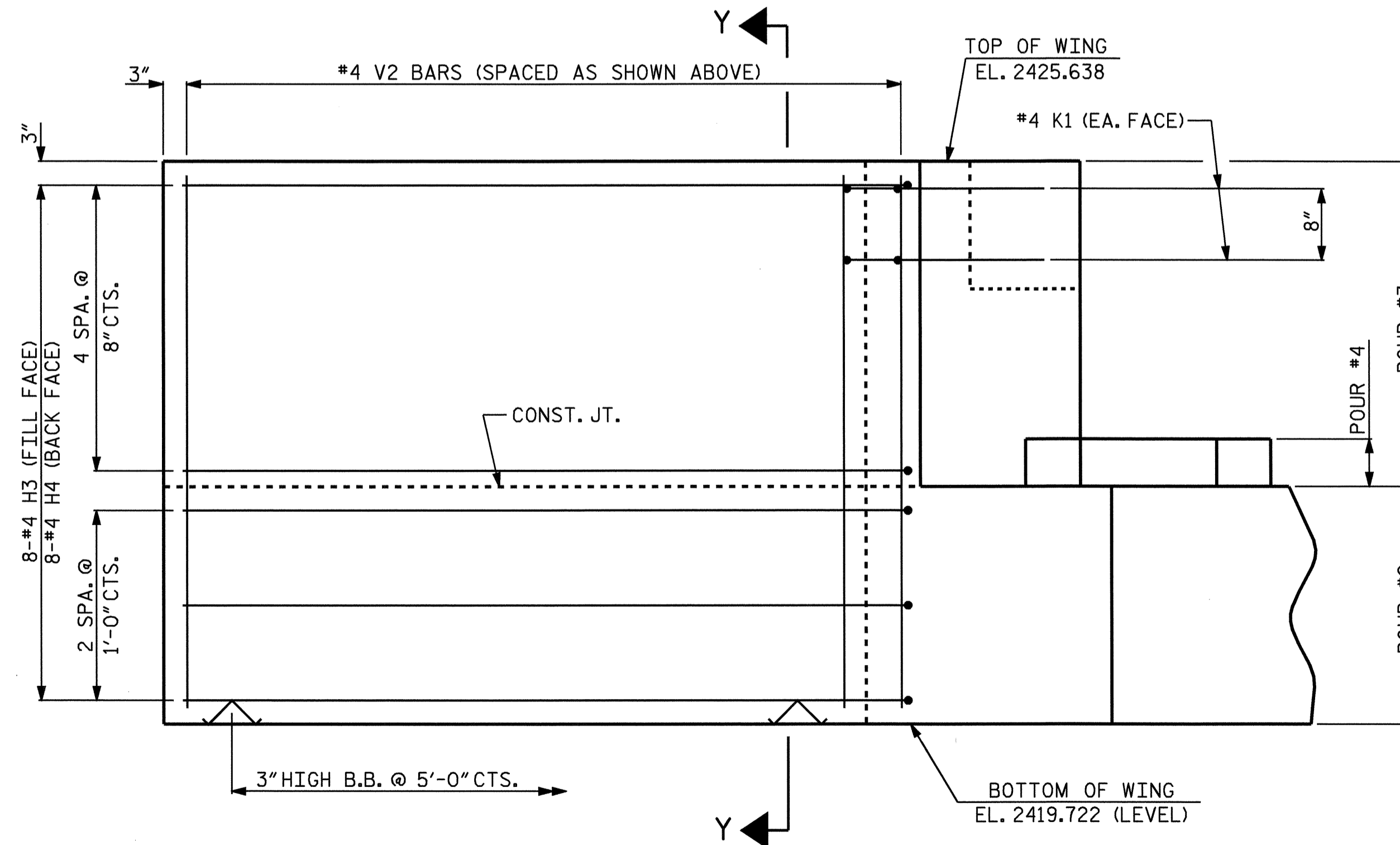
PLAN OF WING (W1)



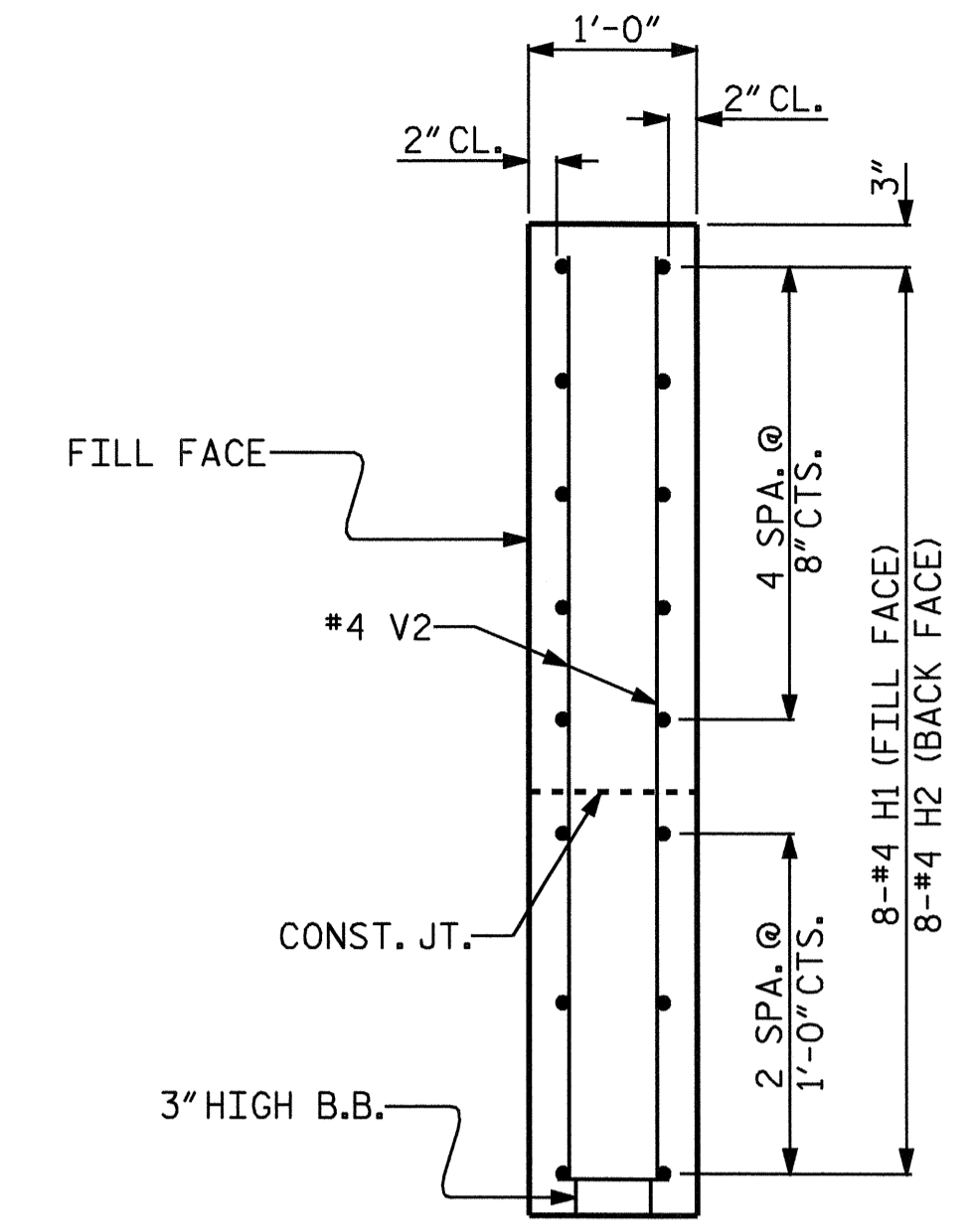
PLAN OF WING (W2)



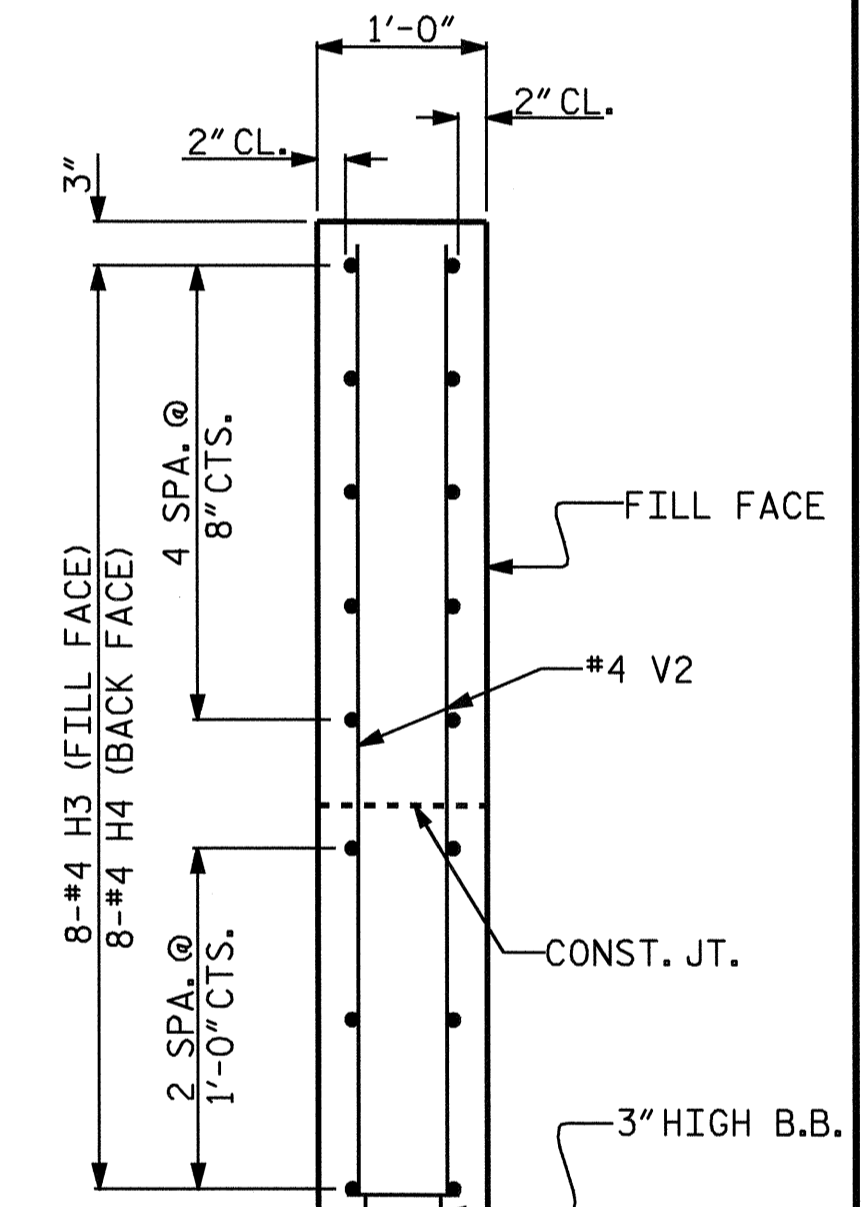
ELEVATION OF WING (W1)



ELEVATION OF WING (W2)



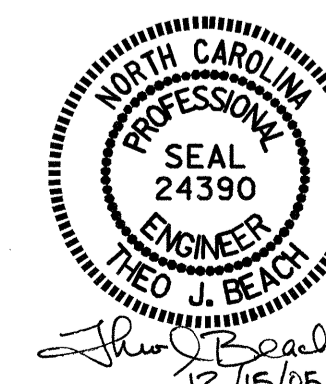
SECTION X-X



SECTION Y-Y

PROJECT NO. B-4007
ALLEGHANY COUNTY
 STATION: 17+03.50 -L-

SHEET 2 OF 3



STATE OF NORTH CAROLINA DEPARTMENT OF TRANSPORTATION RALEIGH					
SUBSTRUCTURE END BENT No. 1					
REVISIONS					
NO.	BY:	DATE:	NO.	BY:	DATE:
1			3		
2			4		
SHEET NO.					S-12
TOTAL SHEETS					23

DRAWN BY: N. PIERCE DATE: 6/05
 CHECKED BY: S. B. WILLIAMS DATE: 8/05

15-DEC-2005 07:47
 R:\STRUCT\B4007\NPierce\B4007.dwg
 npierce