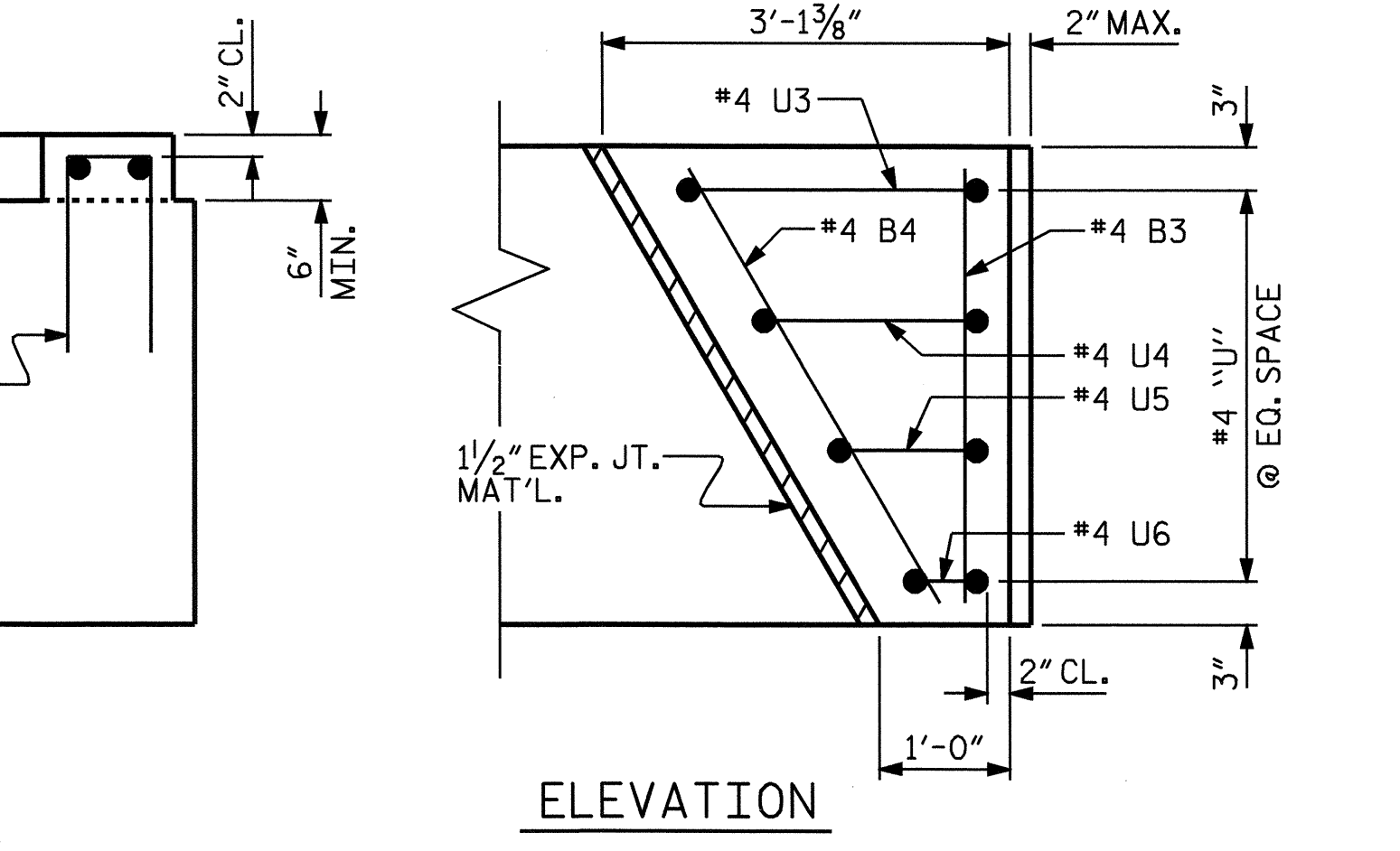
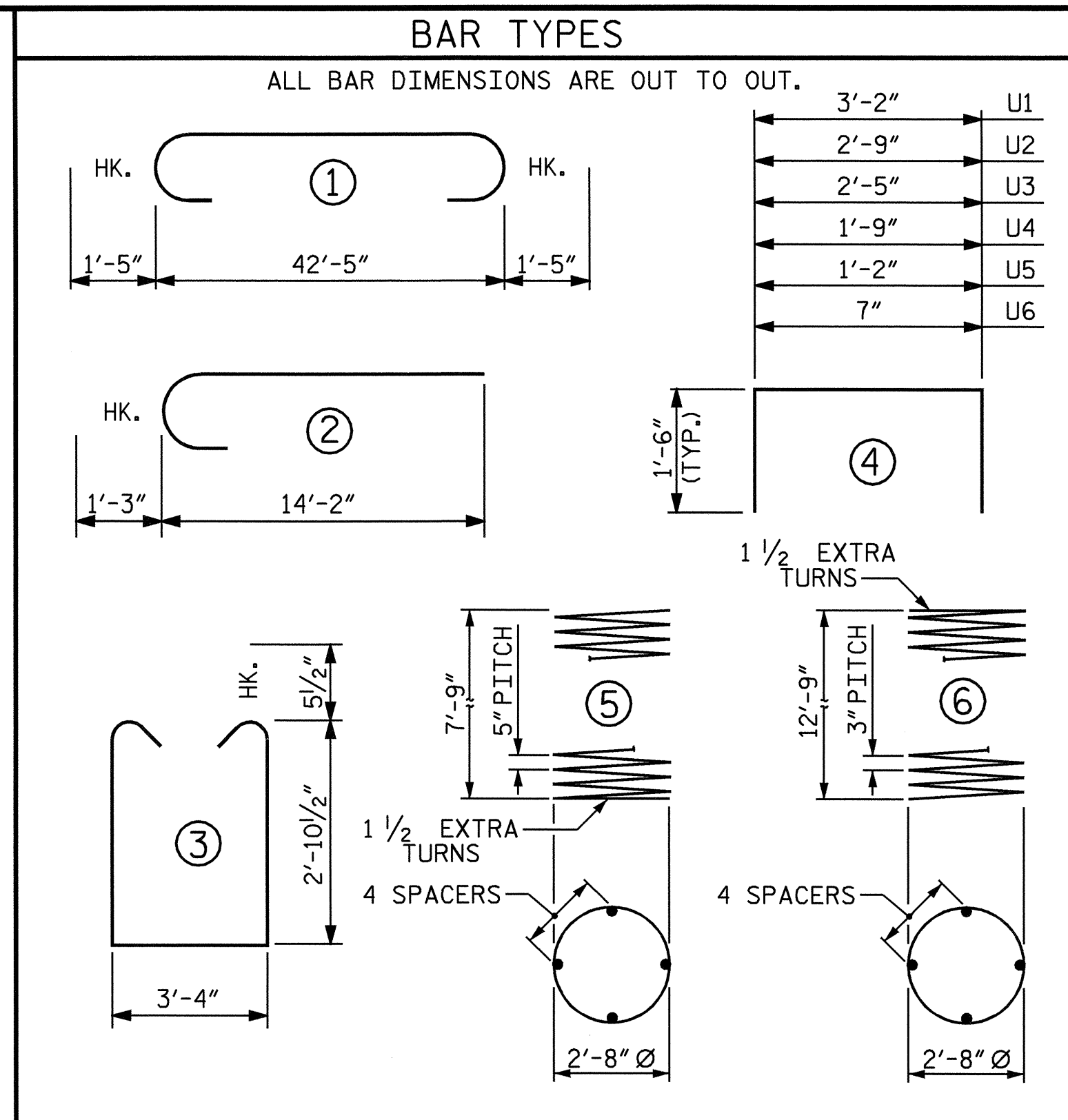
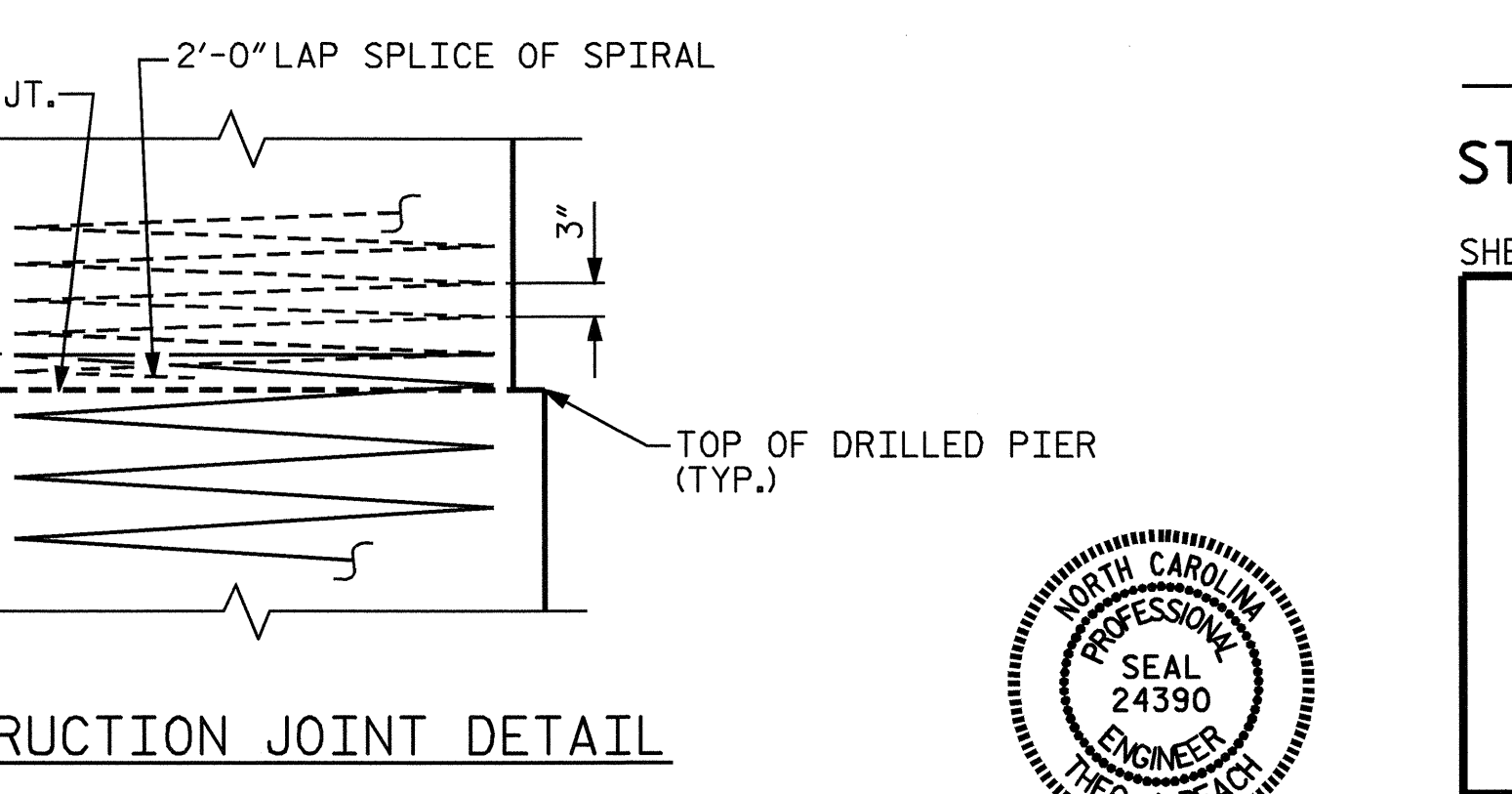


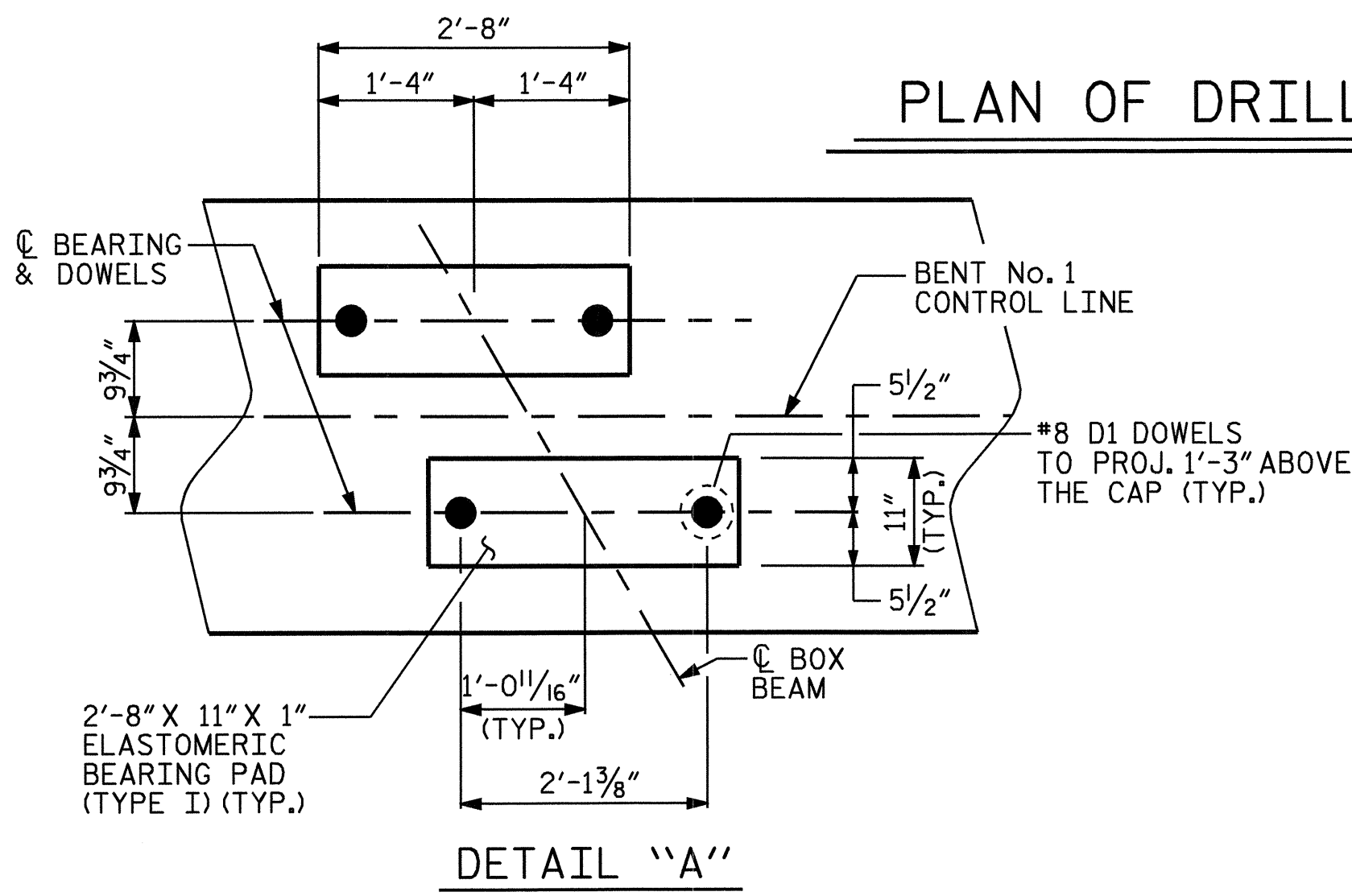
PLAN OF DRILLED PIERS & COLUMNS



LATERAL GUIDE DETAIL
(RIGHT LATERAL GUIDE SHOWN, LEFT SIDE SIMILAR)



CONSTRUCTION JOINT DETAIL



DETAIL "A"

NOTES:

STIRRUPS IN CAP MAY BE SHIFTED AS NECESSARY TO CLEAR DOWELS.

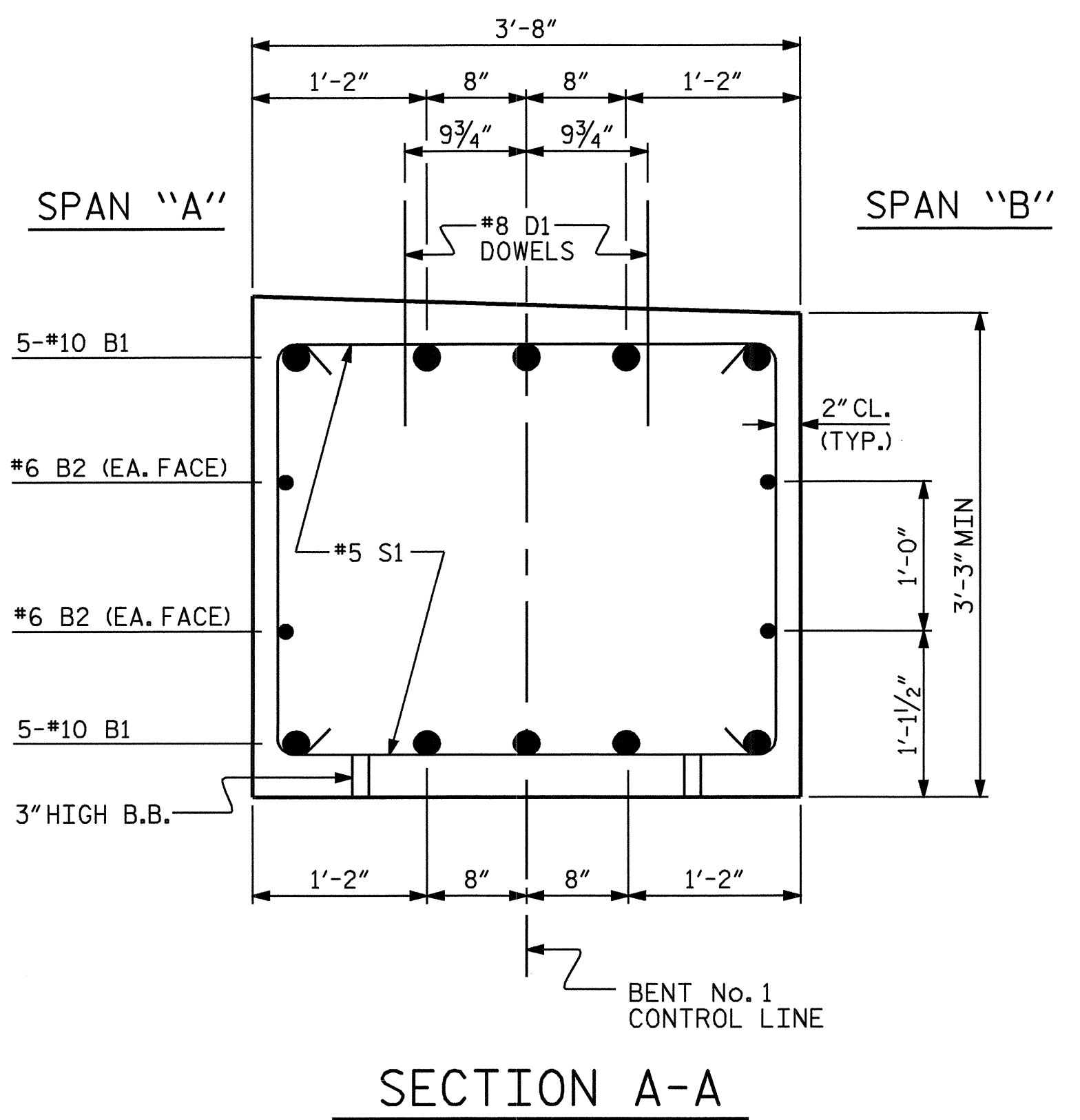
FOR DRILLED PIERS, SEE SPECIAL PROVISIONS.

HOOKS ON "V" BARS MAY BE TURNED AS NECESSARY FOR PLACING REINFORCING STEEL.

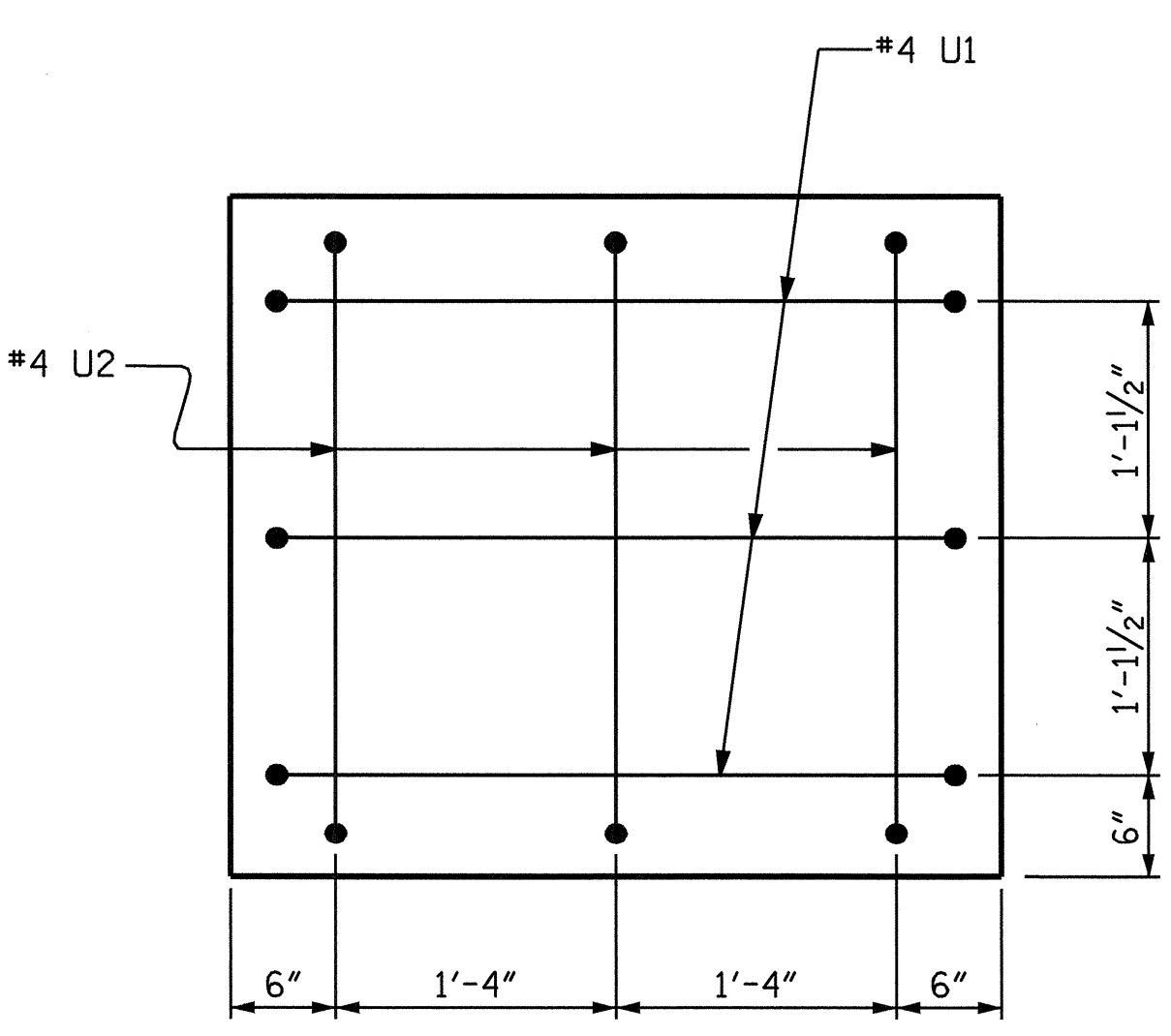
THE LATERAL GUIDES ARE NOT TO BE POURED UNTIL AFTER THE BOX BEAMS ARE IN PLACE.

ALL STEEL IN THE DRILLED PIERS IS INCLUDED IN THE PAY ITEMS FOR "REINFORCING STEEL" AND "SPIRAL COLUMN REINFORCING STEEL".

THE CONTRACTOR'S ATTENTION IS CALLED TO THE FACT THAT THE LONGITUDINAL REINFORCEMENT FOR THE DRILLED PIERS IS DETAILED WITH 3 FEET OF EXTRA LENGTH.



SECTION A-A



VIEW X-X
(TYP. EACH END)

BILL OF MATERIAL					
BENT No. 1					
BAR	NO.	SIZE	TYPE	LENGTH	WEIGHT
B1	10	#10	1	45'-3"	1947
B2	4	#6	STR	42'-6"	255
B3	2	#4	STR	3'-4"	4
B4	2	#4	STR	3'-10"	5
D1	44	#8	STR	2'-3"	264
M1	36	#9	STR	15'-5"	1887
S1	56	#5	3	10'-0"	584
U1	6	#4	4	6'-2"	25
U2	6	#4	4	5'-9"	23
U3	2	#4	4	5'-5"	7
U4	2	#4	4	4'-9"	6
U5	2	#4	4	4'-2"	6
U6	2	#4	4	3'-7"	5
V1	36	#9	2	15'-5"	1887
REINFORCING STEEL					6905 LBS
SPIRAL REINFORCING STEEL					
SP-1	3	*	5	172'-9"	541
SP-2	3	**	6	437'-3"	876
SPIRAL REINFORCING STEEL					1417 LBS.
CLASS A CONCRETE BREAKDOWN					
POUR #2 (COLUMNS)				9.8 C.Y.	
POUR #3 (CAP)				19.2 C.Y.	
POUR #4 (LATERAL GUIDE)				0.3 C.Y.	
TOTAL CLASS A CONCRETE				29.3 C.Y.	
DRILLED PIERS					
DRILLED PIER CONCRETE POUR #1 (DRILLED PIERS)				= 8.8 C.Y.	
3'-6" Ø DRILLED PIERS NOT IN SOIL, LIN. FT.				= 24.75	
SID INSPECTION EACH 1					
CROSSHOLE SONIC LOGGING EACH 1					
CSL TUBES LIN. FT. = 129.0					

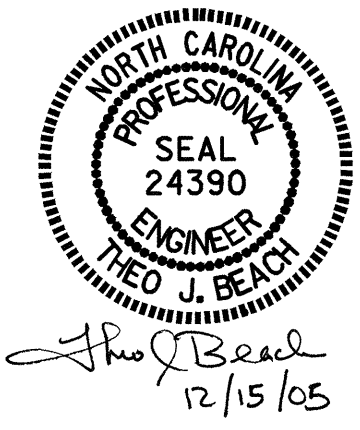
* THE SP-1 SPIRAL REINFORCING STEEL SHALL BE W31 OR D-31 COLD DRAWN WIRE OR #5 PLAIN OR DEFORMED BAR.

** THE SP-2 SPIRAL REINFORCING STEEL SHALL BE W20 OR D-20 COLD DRAWN WIRE OR #4 PLAIN OR DEFORMED BAR.

PROJECT NO. B-4007
ALLEGHANY COUNTY
 STATION: 17+03.50 -L-

SHEET 2 OF 2

STATE OF NORTH CAROLINA DEPARTMENT OF TRANSPORTATION RALEIGH					
SUBSTRUCTURE BENT No. 1					
REVISIONS					SHEET NO.
NO.	BY:	DATE:	NO.	BY:	DATE:
1			3		
2			4		
					TOTAL SHEETS 23



DRAWN BY: A. K. PATEL DATE: 8/06/05
 CHECKED BY: S. B. WILLIAMS DATE: 8/30/05