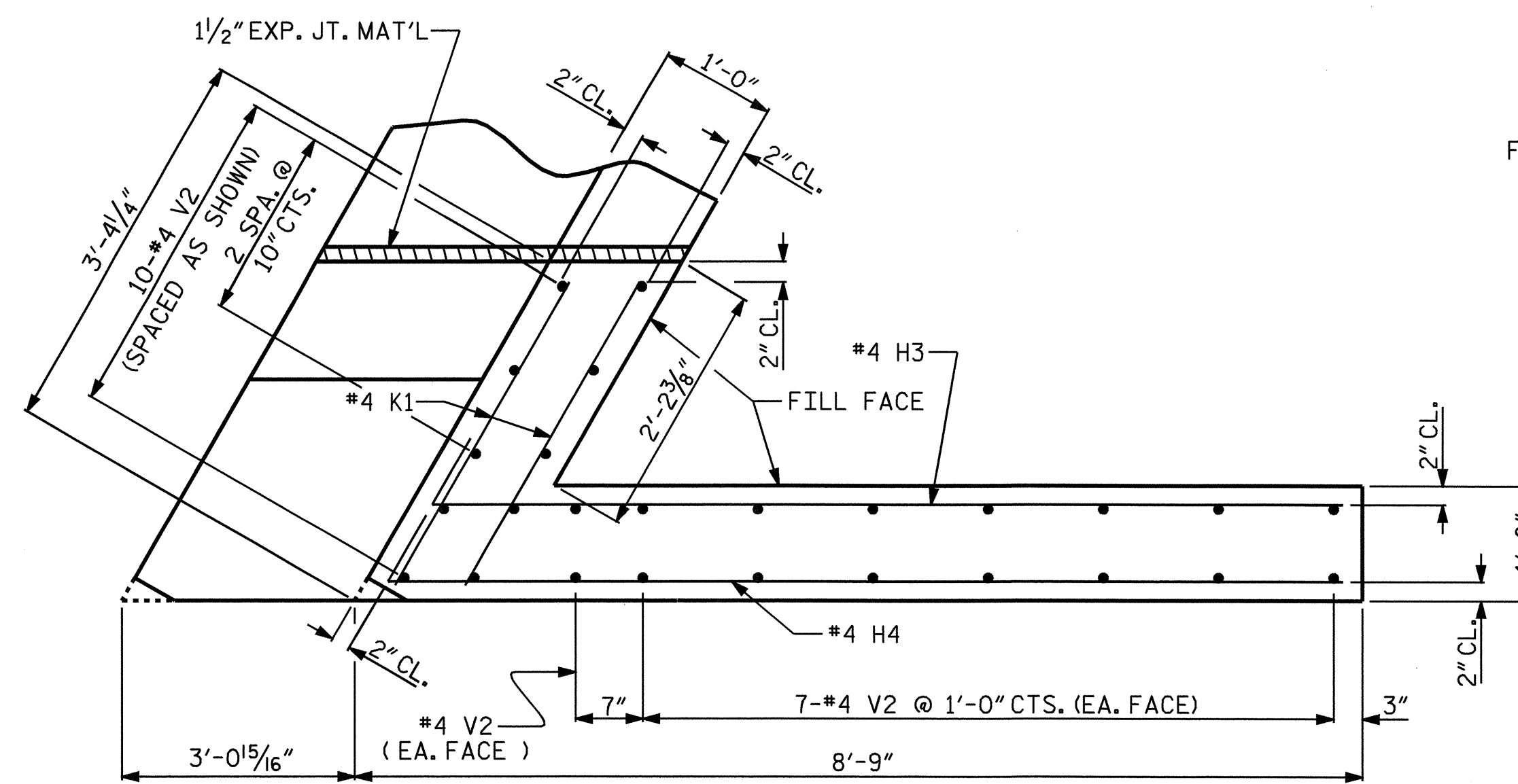
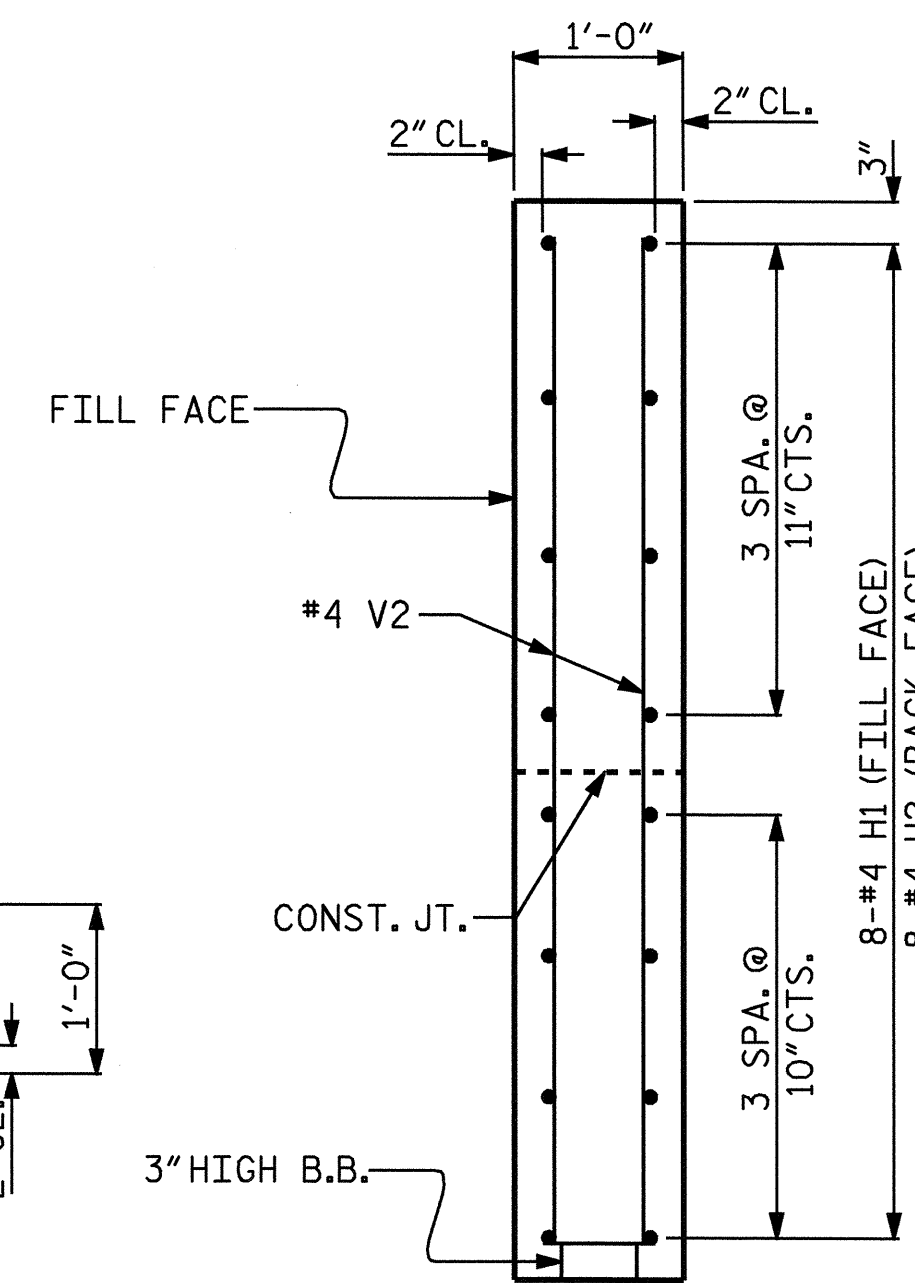


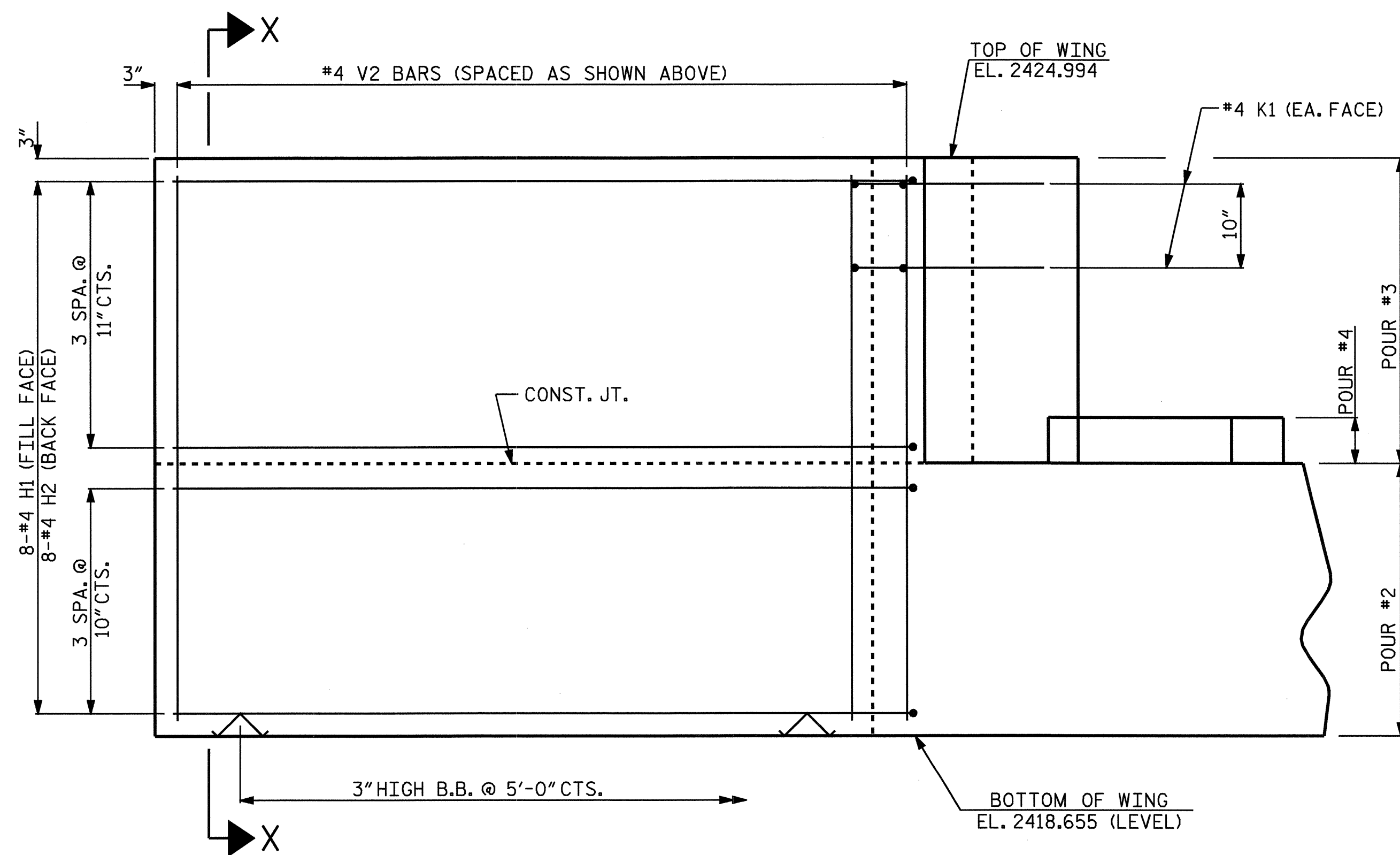
PLAN OF WING (W1)



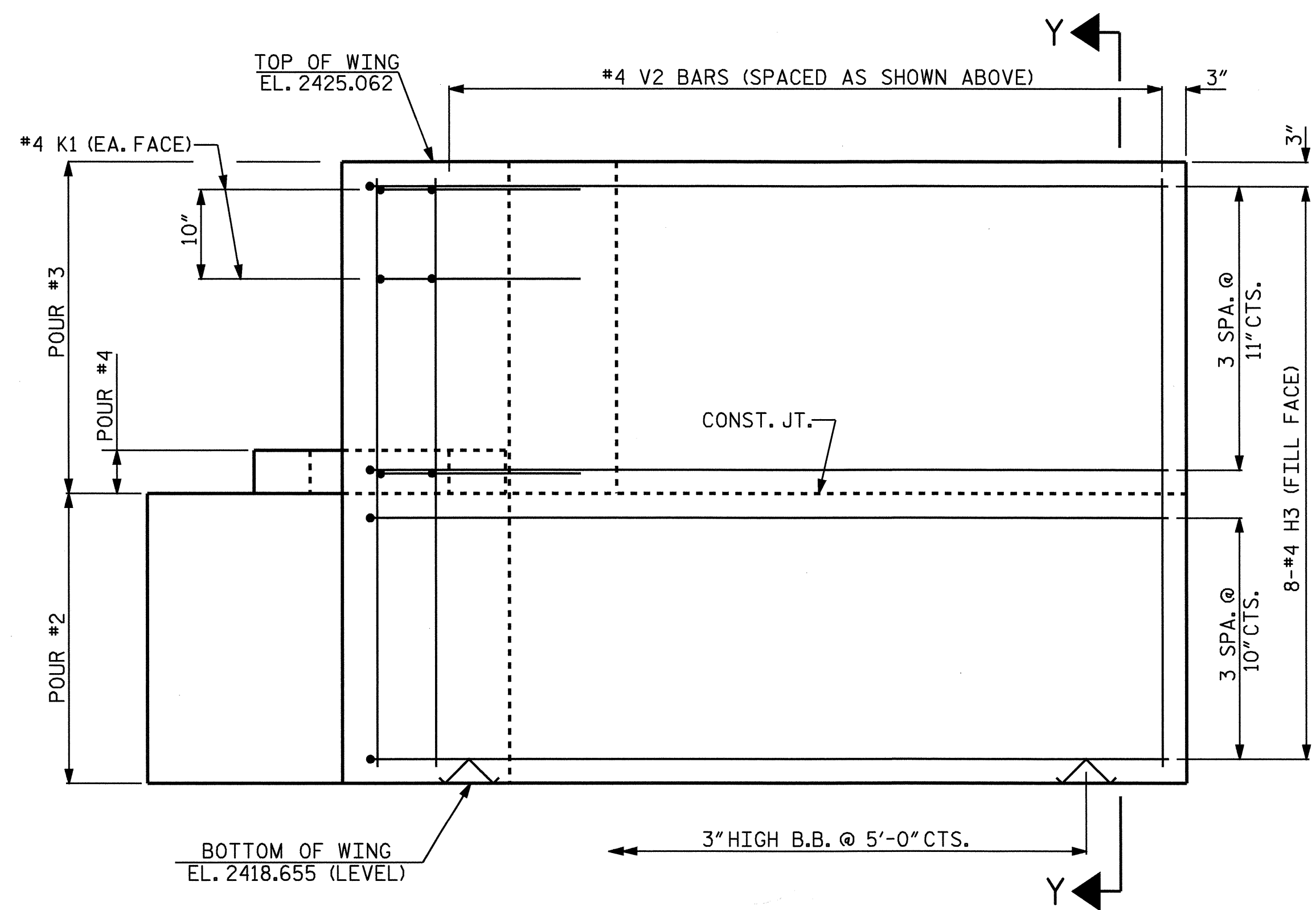
PLAN OF WING (W2)



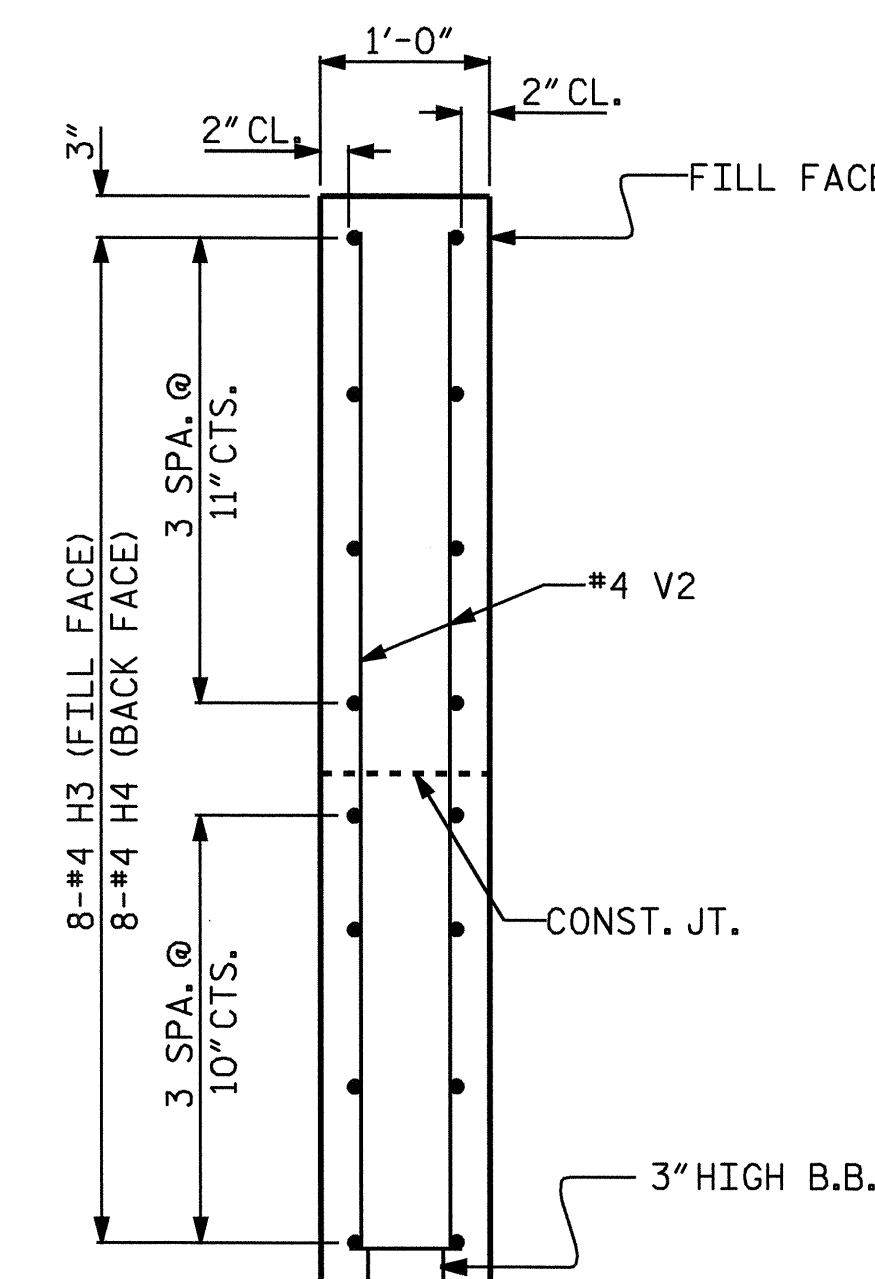
SECTION X-X



ELEVATION OF WING (W1)



ELEVATION OF WING (W2)



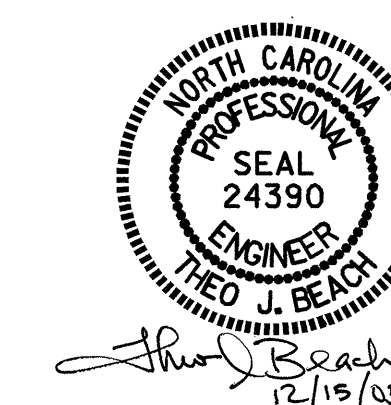
SECTION Y-Y

PROJECT NO. B-4007
 ALLEGHANY COUNTY
 STATION: 17+03.50 -L-

SHEET 2 OF 3

STATE OF NORTH CAROLINA
 DEPARTMENT OF TRANSPORTATION
 RALEIGH

SUBSTRUCTURE
 END BENT No. 2



DRAWN BY: N. PIERCE DATE: 6/05
 CHECKED BY: S. B. WILLIAMS DATE: 8/05

15-DEC-2005 07:45
 R:\STRUCT\B4007\NPierce\B4007_04.DGN
 npierce

REVISIONS						SHEET NO.
NO.	BY:	DATE:	NO.	BY:	DATE:	S-17
1			3			TOTAL SHEETS 23
2			4			