

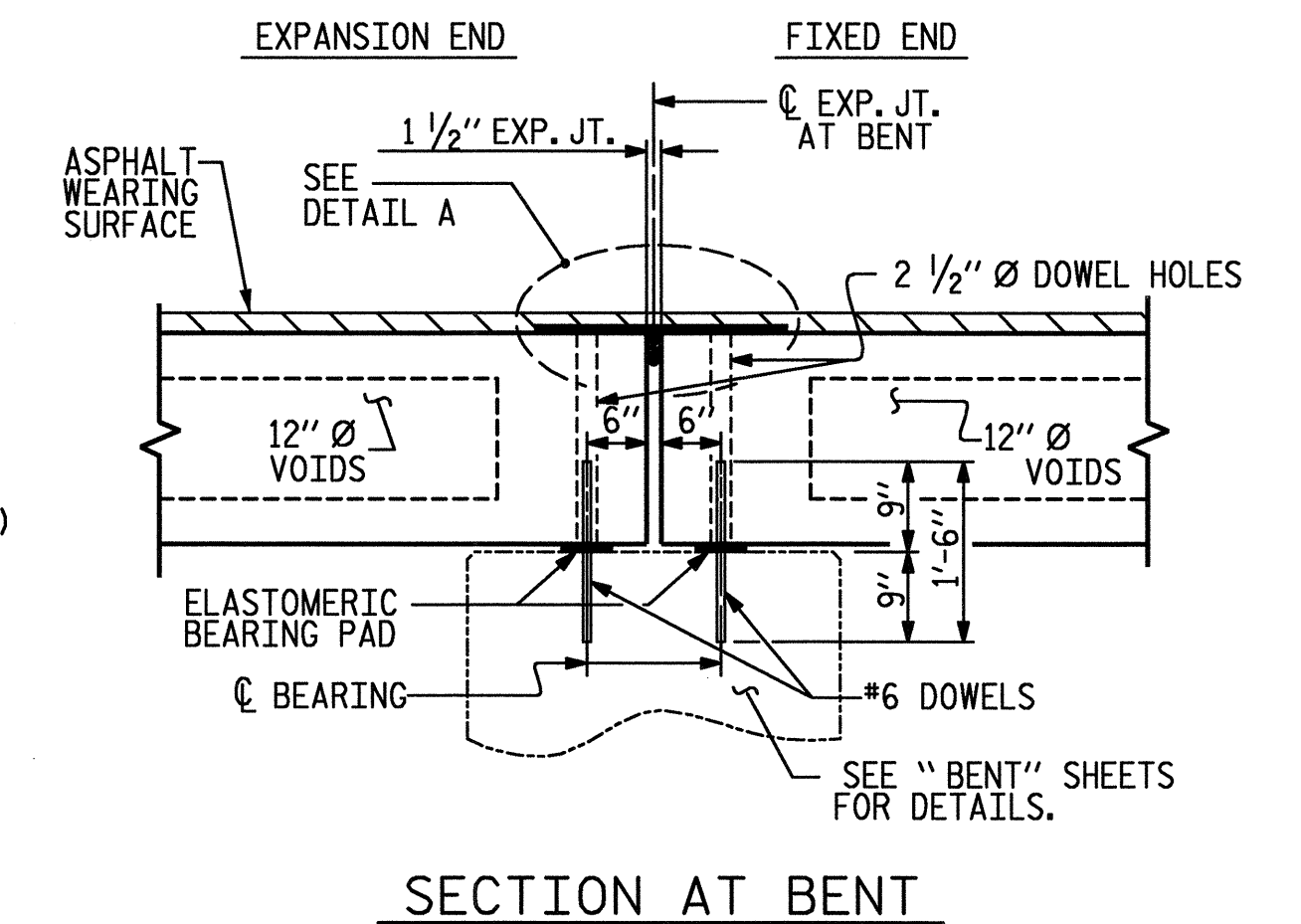
HALF SECTION
(AT INTERMEDIATE DIAPHRAGM)

HALF SECTION
(AT END BENTS)

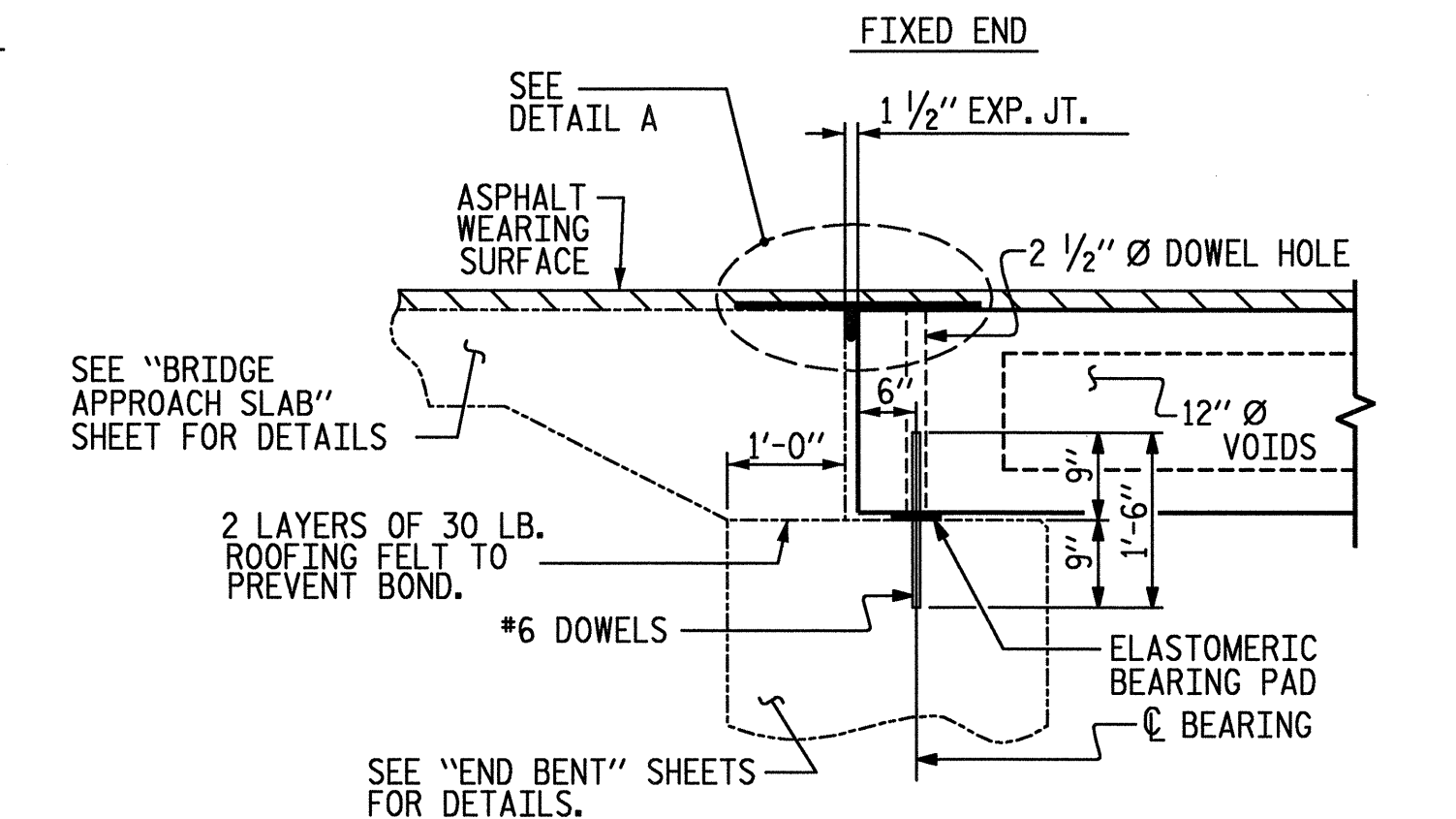
TYPICAL SECTION

** WORK LINE OFFSET DISTANCES ARE MEASURED PERPENDICULAR TO -L- LINE. WORK LINE OFFSETS VARY FROM 6 3/16" RIGHT AT END BENT 1 WORK LINE/FILL FACE INTERSECTION TO 1'-3 5/8" LEFT AT BENT 1 WORK LINE/CL CAP INTERSECTION TO 1'-4 1/2" LEFT AT BENT 2 WORK LINE/CL CAP INTERSECTION TO 11 3/4" RIGHT AT END BENT 2 WORK LINE/FILL FACE INTERSECTION.

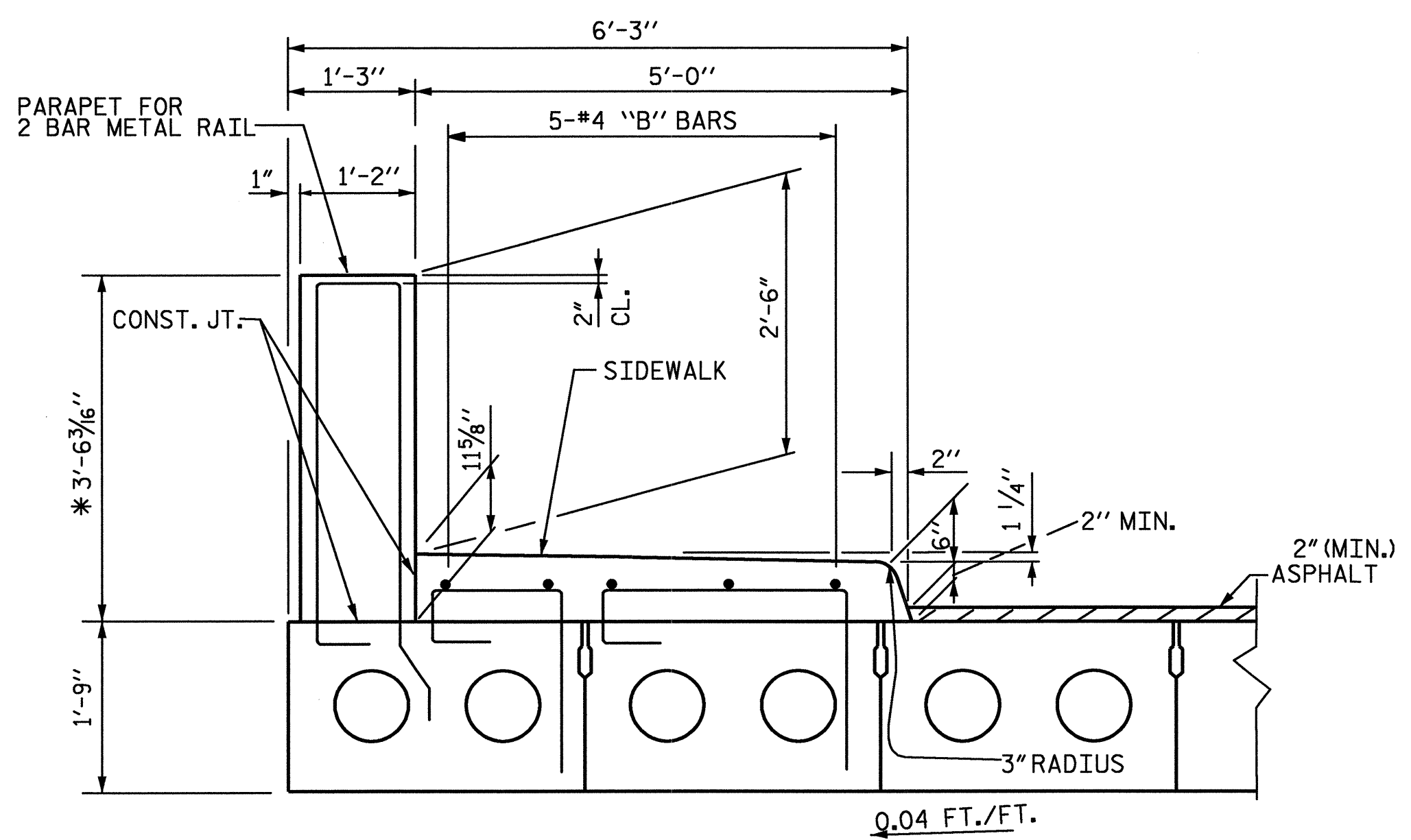
* FOR CONSTRUCTION OF PARAPETS AND SIDEWALK SEE SPECIAL PROVISIONS. GROOVED CONSTRUCTION JOINTS, 1/2" IN DEPTH, SHALL BE TOOLED IN ALL EXPOSED FACES OF THE SIDEWALK IN ACCORDANCE WITH ARTICLE 825-10 (B) OF THE STANDARD SPECIFICATIONS. THE CONTRACTION JOINTS SHALL BE LOCATED AT A SPACING OF 8 FT. TO 10 FT. BETWEEN EXPANSION JOINTS. NO CONTRACTION JOINTS WILL BE REQUIRED FOR SEGMENTS LESS THAN 10 FEET IN LENGTH.



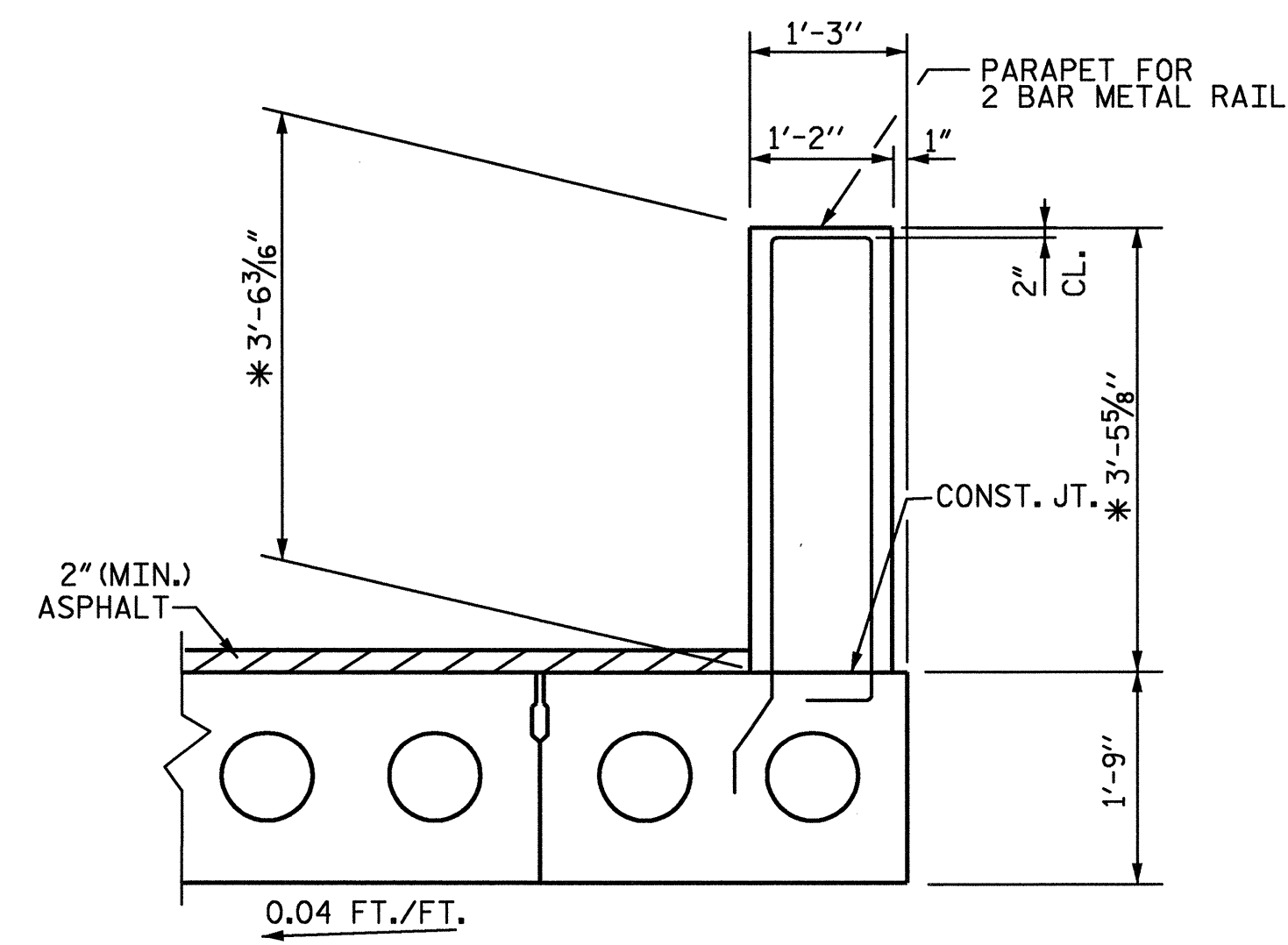
SECTION AT BENT



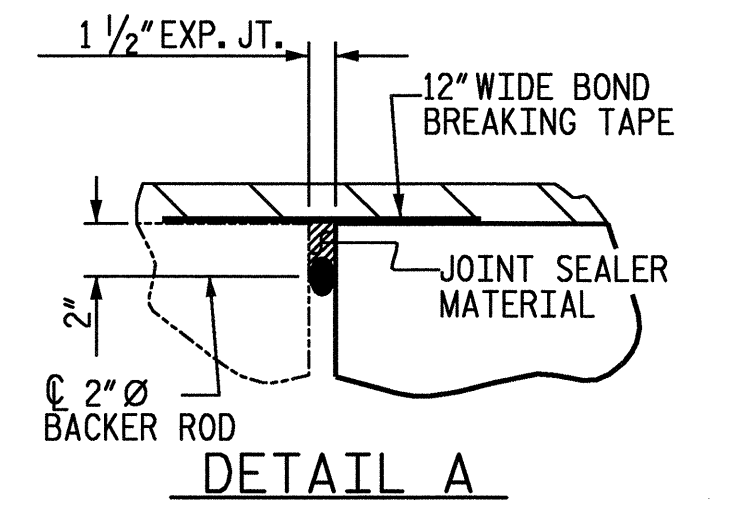
SECTION AT END BENT



SECTION THRU PARAPET
& SIDEWALK - LEFT SIDE



SECTION THRU PARAPET
- RIGHT SIDE



DETAIL A

WBS. NO. 37017
 WAKE COUNTY
 STATION: 14+04.00 -L-
 REPLACES BRIDGE NO. 133
 SHEET 1 OF 3

Professional Engineer Seal for Arthur D. Dilworth, No. 22072, State of North Carolina. Date: 1-12-06. Etherill Engineering, 559 Jones Franklin Rd., Suite 164, Raleigh, NC 27606. Phone: 919 851 8077, Fax: 919 851 8107.

STATE OF NORTH CAROLINA DEPARTMENT OF TRANSPORTATION RALEIGH					
TYPICAL SECTION 3'-0" x 1'-9" PRESTRESSED CONCRETE CORED SLAB UNIT					
REVISIONS					
NO.	BY	DATE	NO.	BY	DATE
1			1		
2			2		

SHEET NO. S-3
 TOTAL SHEETS 23

P:\4100M\A0500\1\B\Structures\DWG\typsection.dgn
 7/12/2006 10:46:31 AM

DRAWN BY: J. PENDERGRAFT DATE: 2-05
 CHECKED BY: J. DILWORTH DATE: 2-05