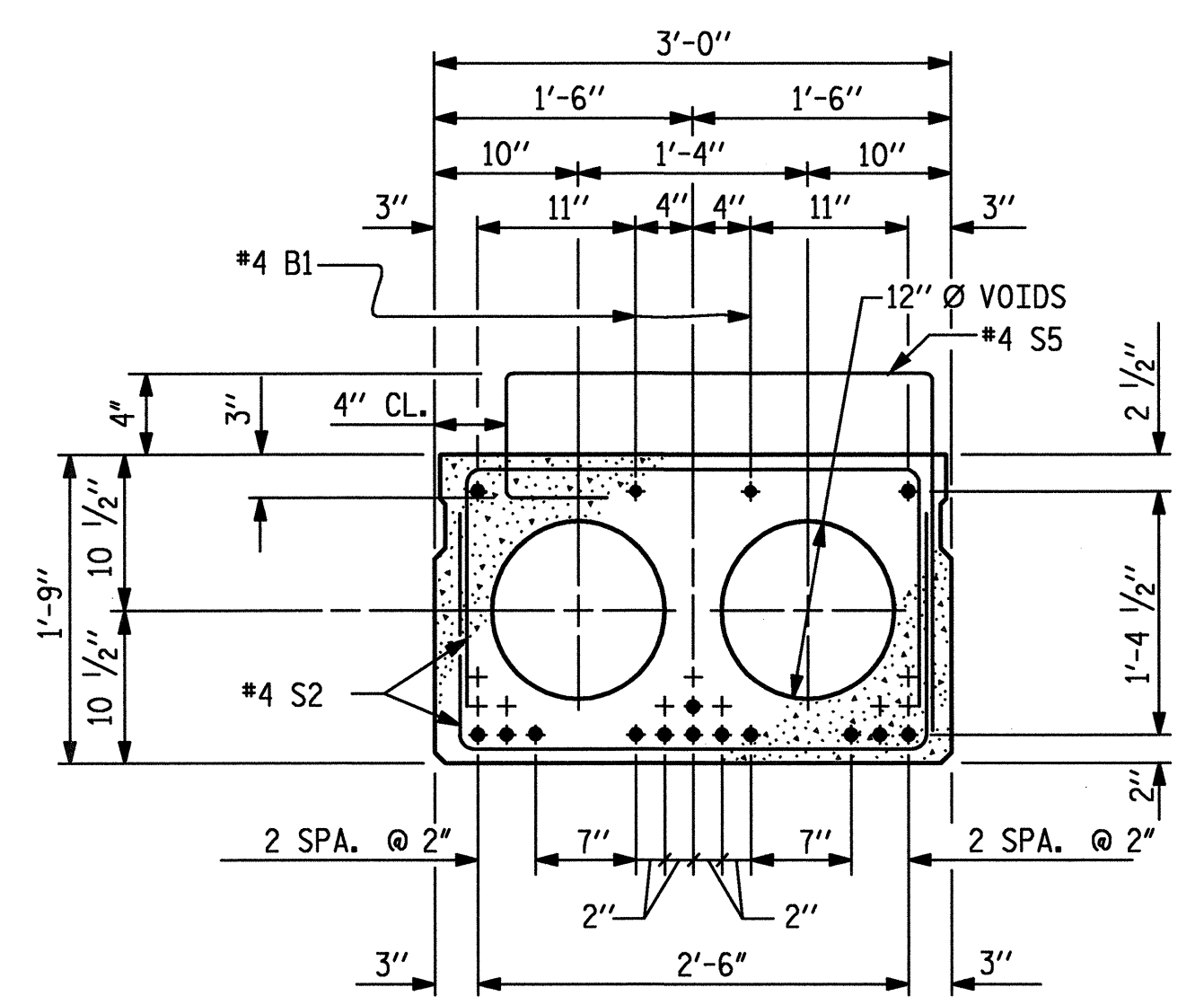
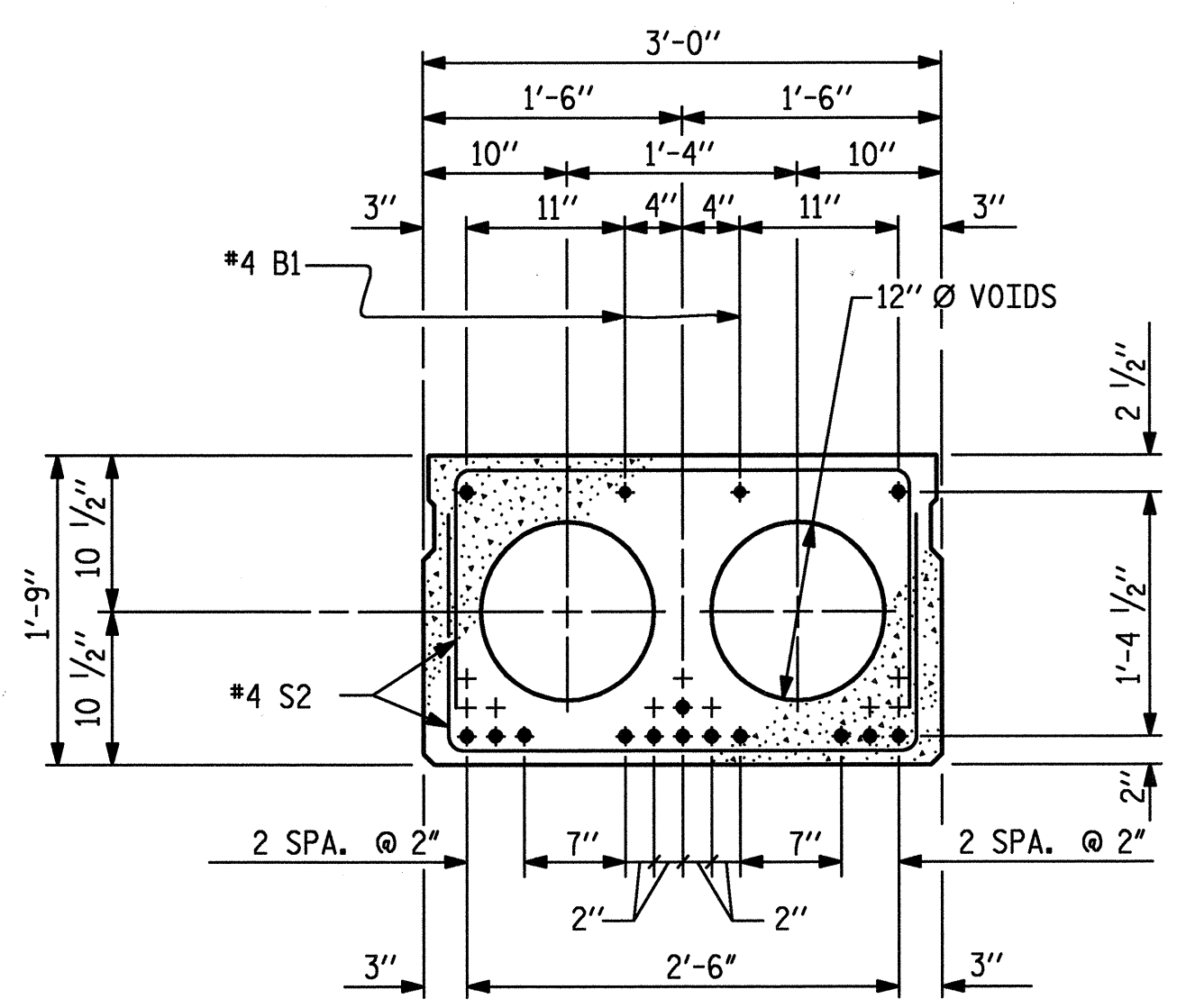


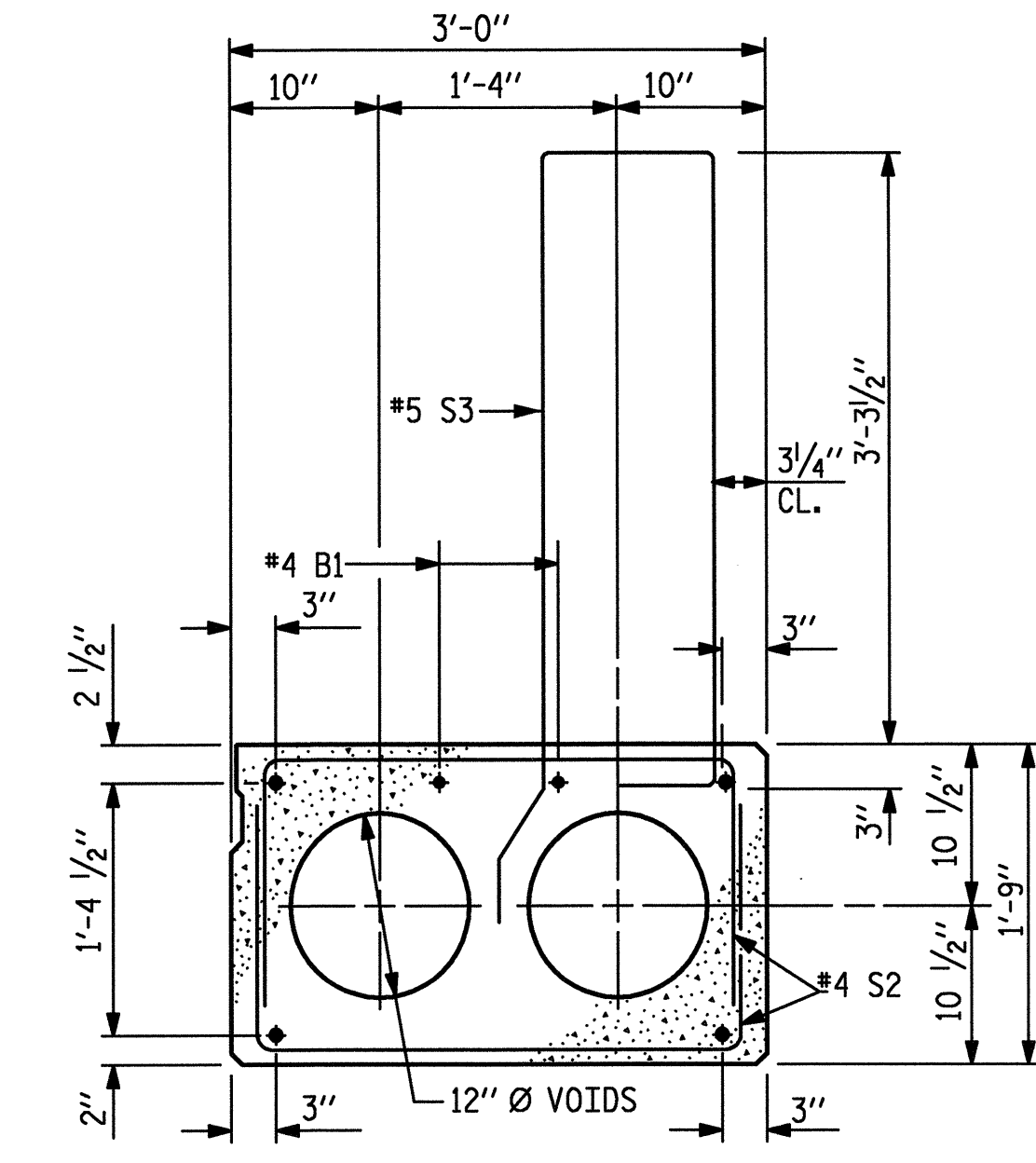
**EXTERIOR SLAB SECTION**  
 (FOR PRESTRESSED STRAND LAYOUT, SEE  
 INTERIOR SLAB SECTION.)  
 (UNIT 1)



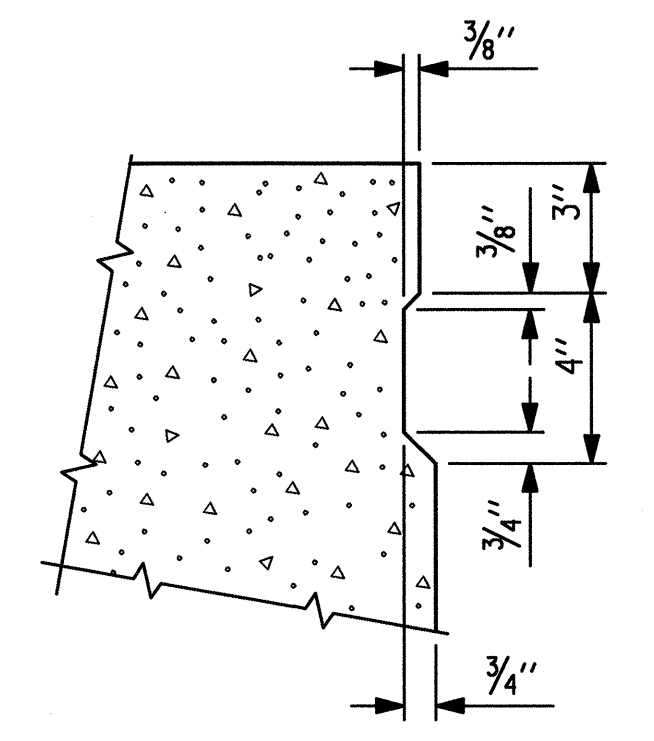
**INTERIOR SLAB SECTION**  
 1/2" Ø LOW RELAXATION  
 STRAND LAYOUT  
 (UNIT 2)  
 14 - 1/2" Ø H.S. STRANDS



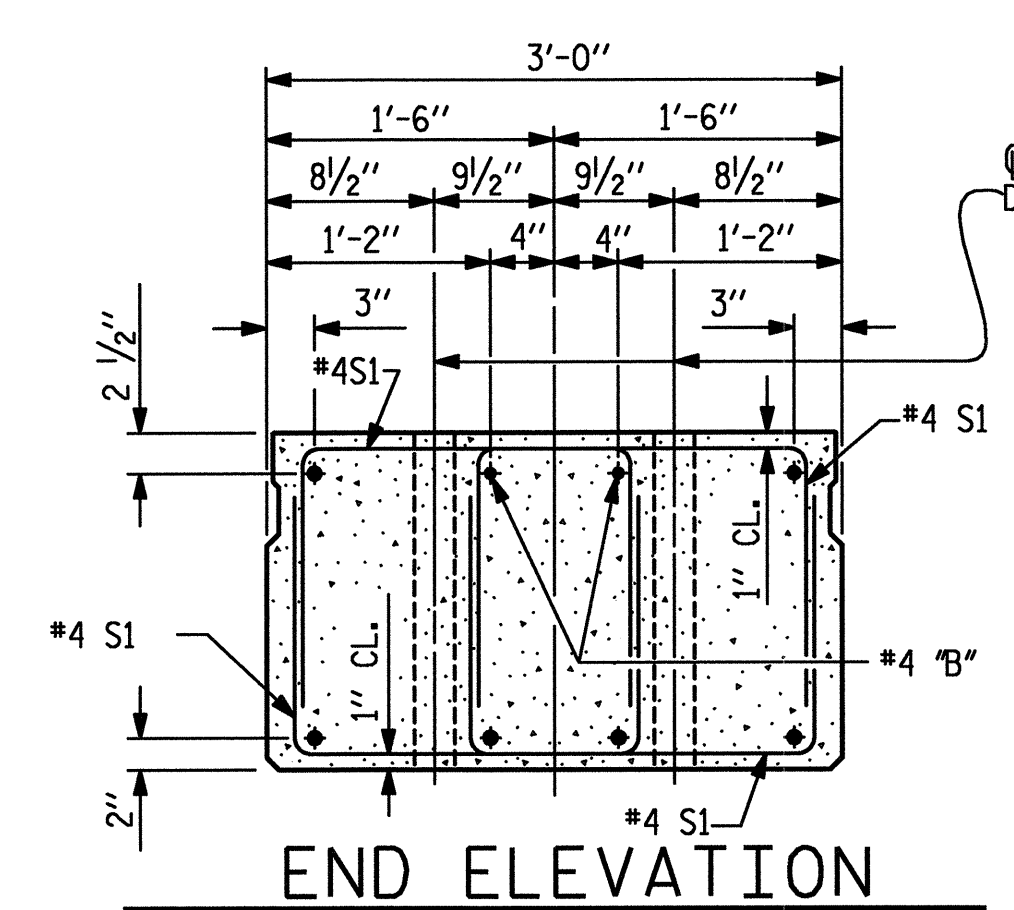
**INTERIOR SLAB SECTIONS**  
 1/2" Ø LOW RELAXATION  
 STRAND LAYOUT  
 (UNITS 3 THRU 17)  
 14 - 1/2" Ø H.S. STRANDS



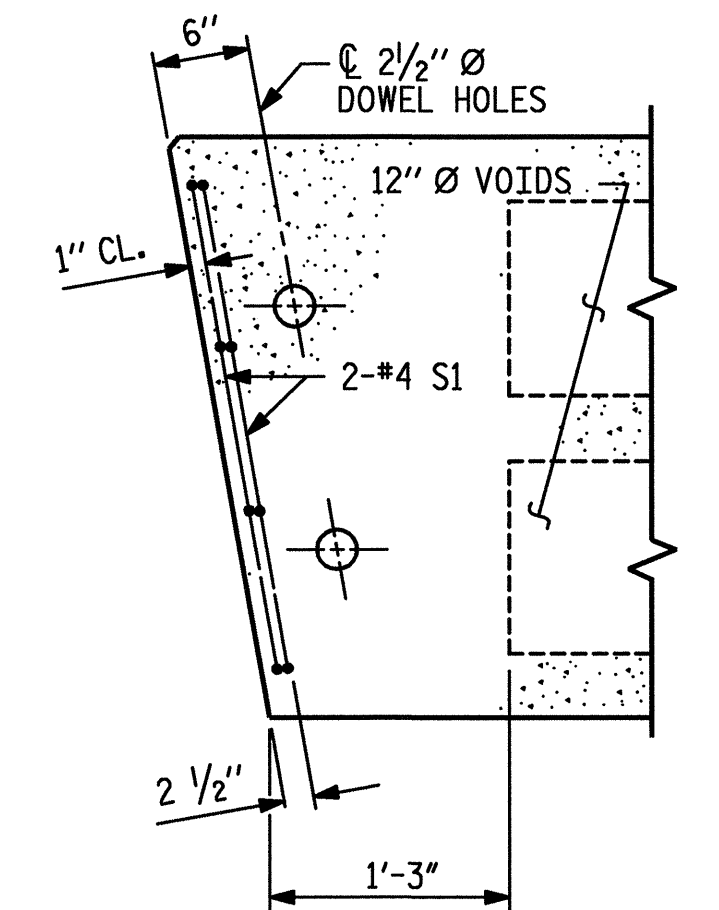
**EXTERIOR SLAB SECTION**  
 (FOR PRESTRESSED STRAND LAYOUT, SEE  
 INTERIOR SLAB SECTION.)  
 (UNIT 18)



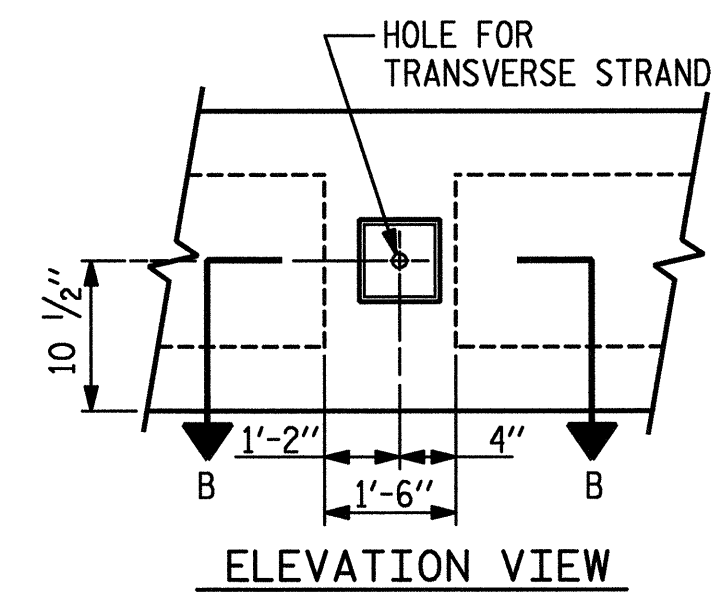
**SHEAR KEY DETAIL**  
 NOTE: OMIT SHEAR KEY ON OUTSIDE FACE  
 OF EXTERIOR CORED SLABS.



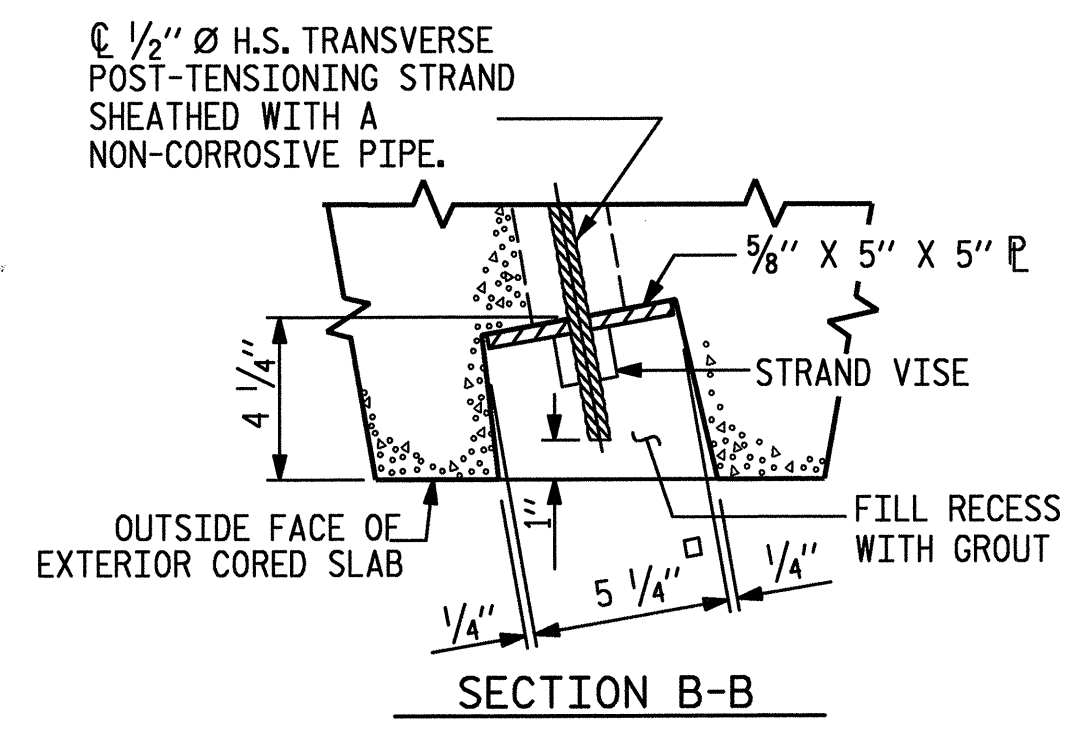
**END ELEVATION**  
 SHOWING PLACEMENT OF DOUBLE STIRRUPS AND  
 LOCATION OF DOWEL HOLES.  
 (STRAND LAYOUT NOT SHOWN.)  
 INTERIOR SLAB SECTION SHOWN-EXTERIOR SLAB  
 SECTION SIMILAR EXCEPT SHEAR KEY LOCATION.



**PART PLAN SHOWING END OF UNITS**



**ELEVATION VIEW**



**SECTION B-B**

**GROUTED RECESS AT END OF  
 POST-TENSIONED STRAND CORED SLABS**

WBS. NO. 37017  
WAKE COUNTY  
 STATION: 14+04.00 -L-  
 REPLACES BRIDGE NO. 133  
 SHEET OF

P:\100M\100M0500\1B\Structures\DWG\CORED\SLAB.dgn  
 1/12/2006 10:51:02 AM

DRAWN BY: J. PENDERGRAFT DATE: 2/05  
 CHECKED BY: J. DILLWORTH DATE: 2/05

STATE OF NORTH CAROLINA DEPARTMENT OF TRANSPORTATION RALEIGH					
<b>STANDARD</b> <b>3'-0" x 1'-9"</b> <b>PRESTRESSED CONCRETE</b> <b>CORED SLAB UNIT</b> <b>SPAN A &amp; C</b>					
REVISIONS					
NO.	BY	DATE	NO.	BY	DATE
1			1		
2			2		
					SHEET S-4 TOTAL 23

ETHERILL ENGINEERING  
 559 Jones Franklin Rd., Suite 164  
 Raleigh, N.C. 27606  
 Bus: 919 851 8077  
 Fax: 919 851 8007