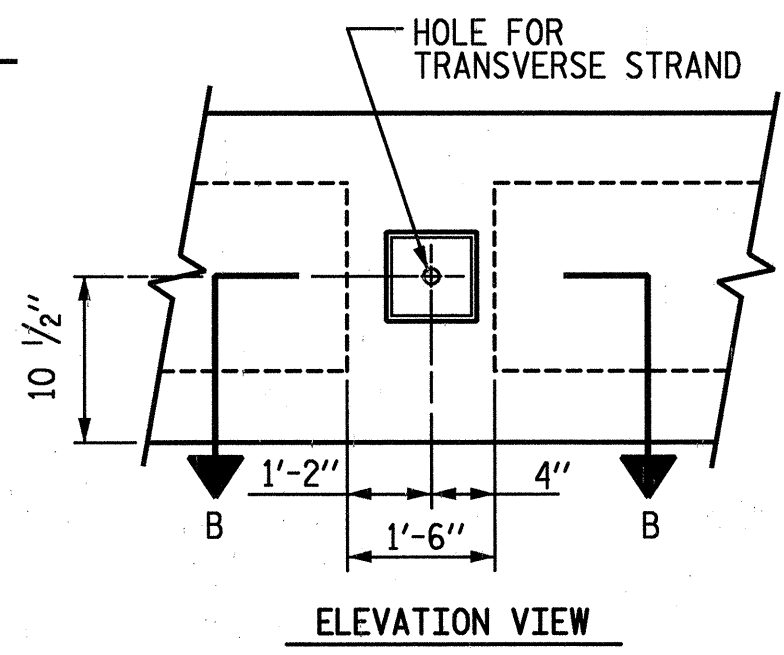
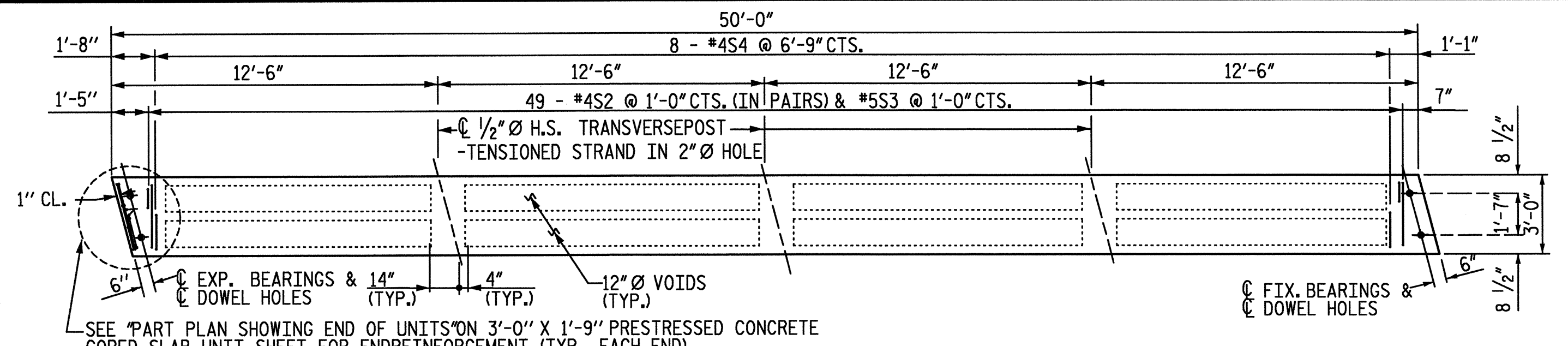


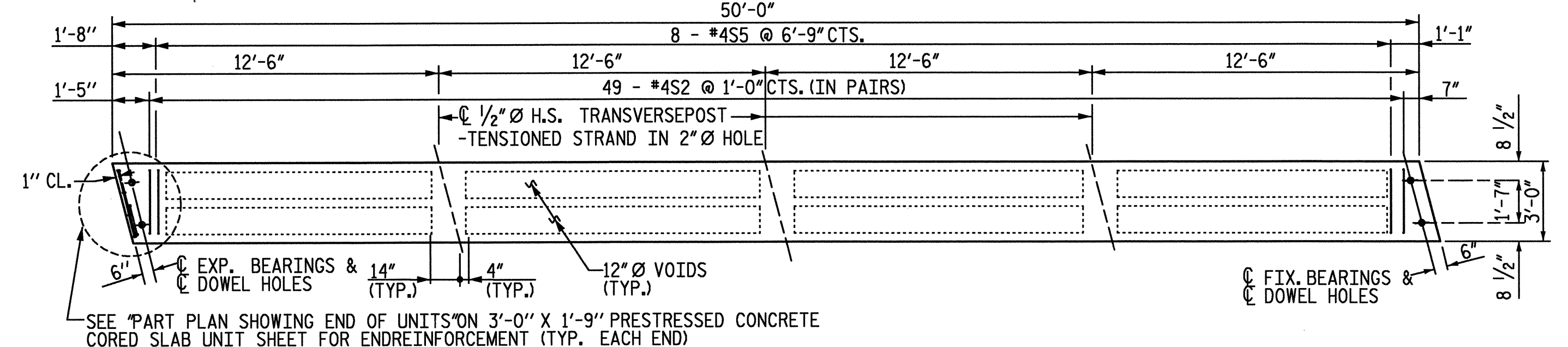
PLAN OF SPAN B



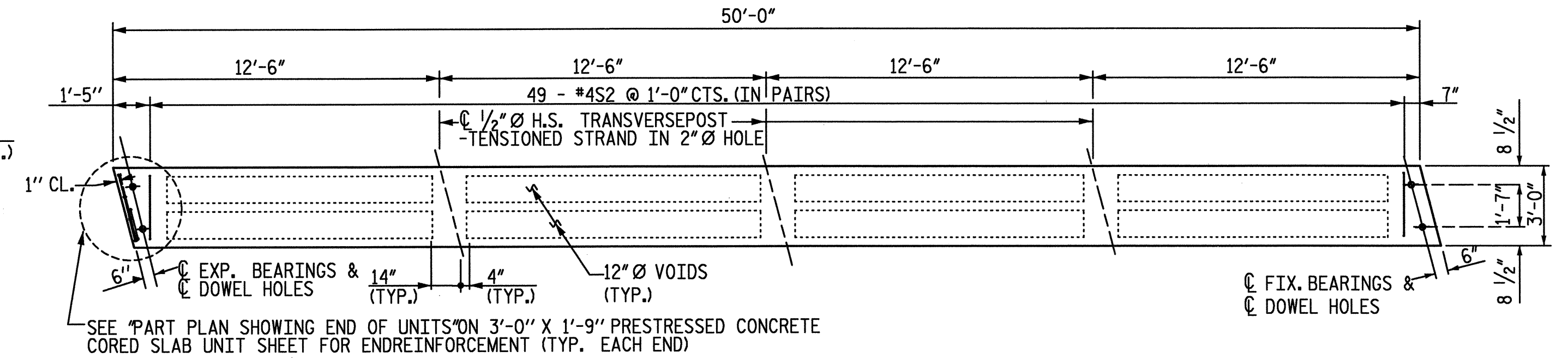
ELEVATION VIEW



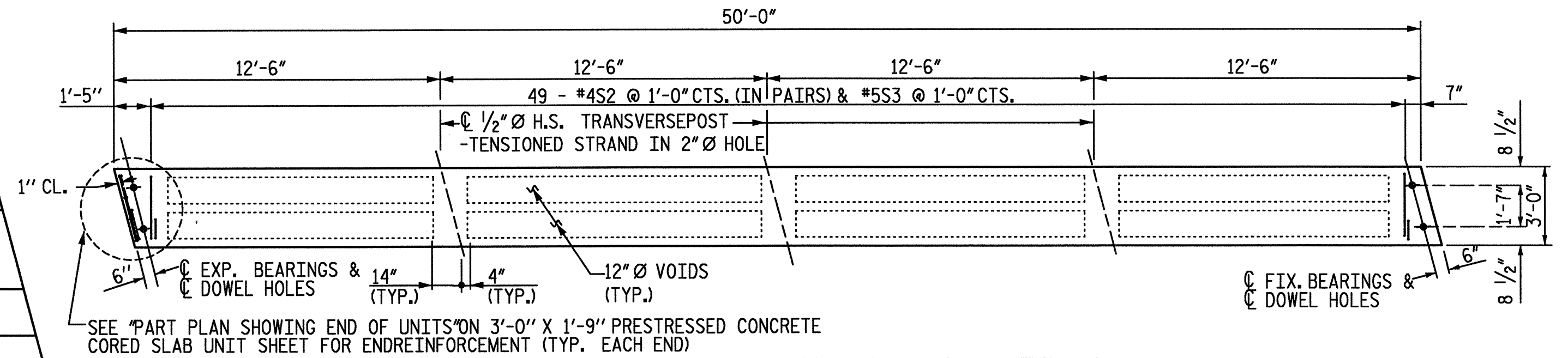
PLAN OF SPAN B UNIT 1



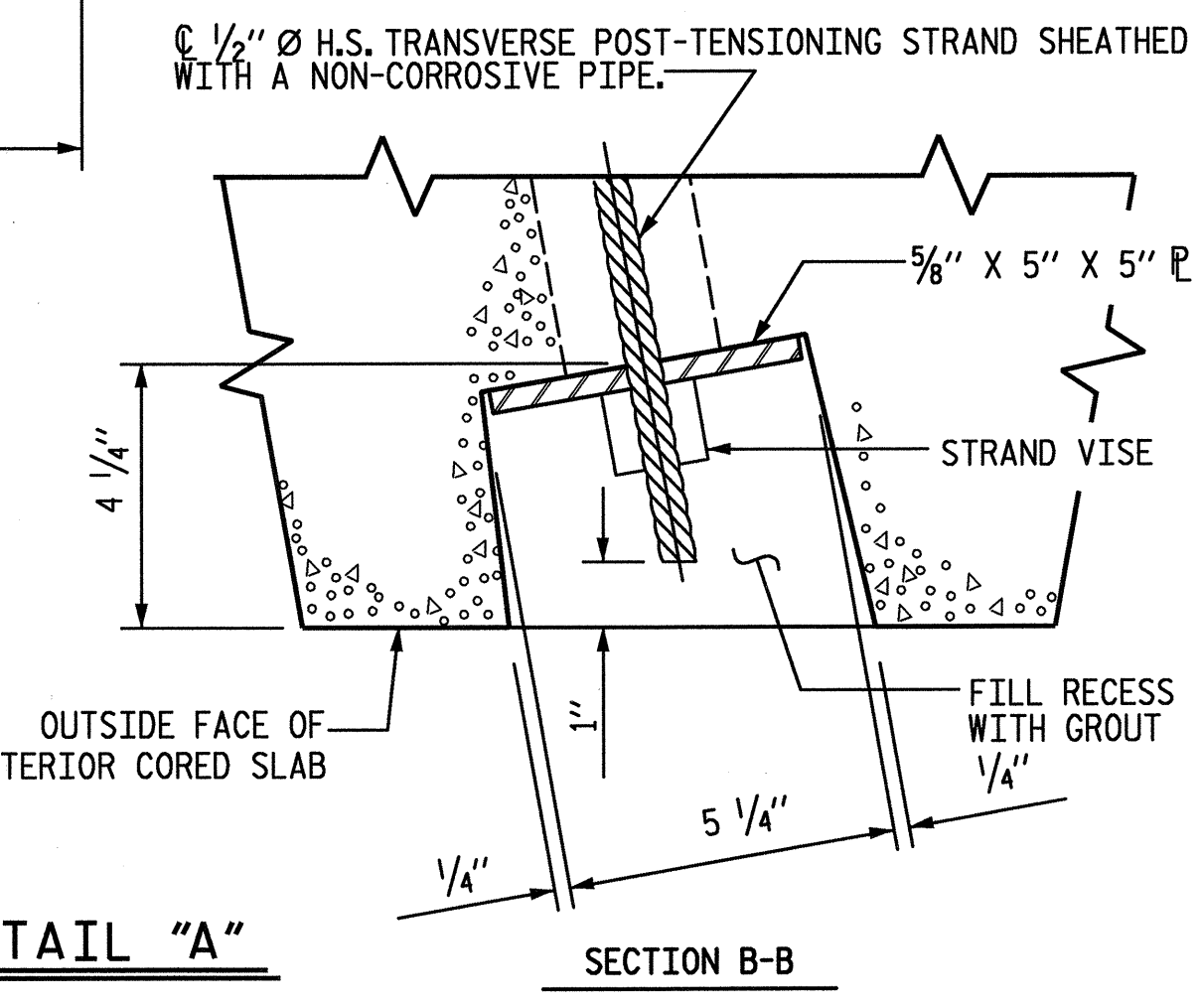
PLAN OF SPAN B UNIT 2



PLAN OF SPAN B UNITS 3 THRU 17



PLAN OF SPAN B UNIT 18



DETAIL "A"

SECTION B-B

WBS. NO. 37017
 WAKE COUNTY
 STATION: 14+04.00 -L-
 REPLACES BRIDGE NO. 133
 SHEET OF

STATE OF NORTH CAROLINA
 DEPARTMENT OF TRANSPORTATION
 RALEIGH

SEAL
 22072
 ENGINEER
 ARTHUR D. WORTH
 1-12-06

559 Jones Franklin Rd. Suite 164
 Raleigh, N.C. 27606
 Bus: 919 851 8077
 Fax: 919 851 8107

ETHERILL
 ENGINEERING

TRANSPORTATION PLANNING/DESIGN - BRIDGE/STRUCTURE DESIGN
 CIVIL/SITE DESIGN - GIS/GPS - CONSTRUCTION OBSERVATION

REVISIONS						SHEET NO.	
NO.	BY	DATE	NO.	BY	DATE	S-7	
1			1			TOTAL SHEETS	
2			2			23	

P:\4100\MA0500\1B\Structures\DMG\SP-AMS.dgn
 1/12/2006 10:51:45 AM

DRAWN BY: J. PENDERGRAFT DATE: 2/05
 CHECKED BY: J. DILWORTH DATE: 2/05