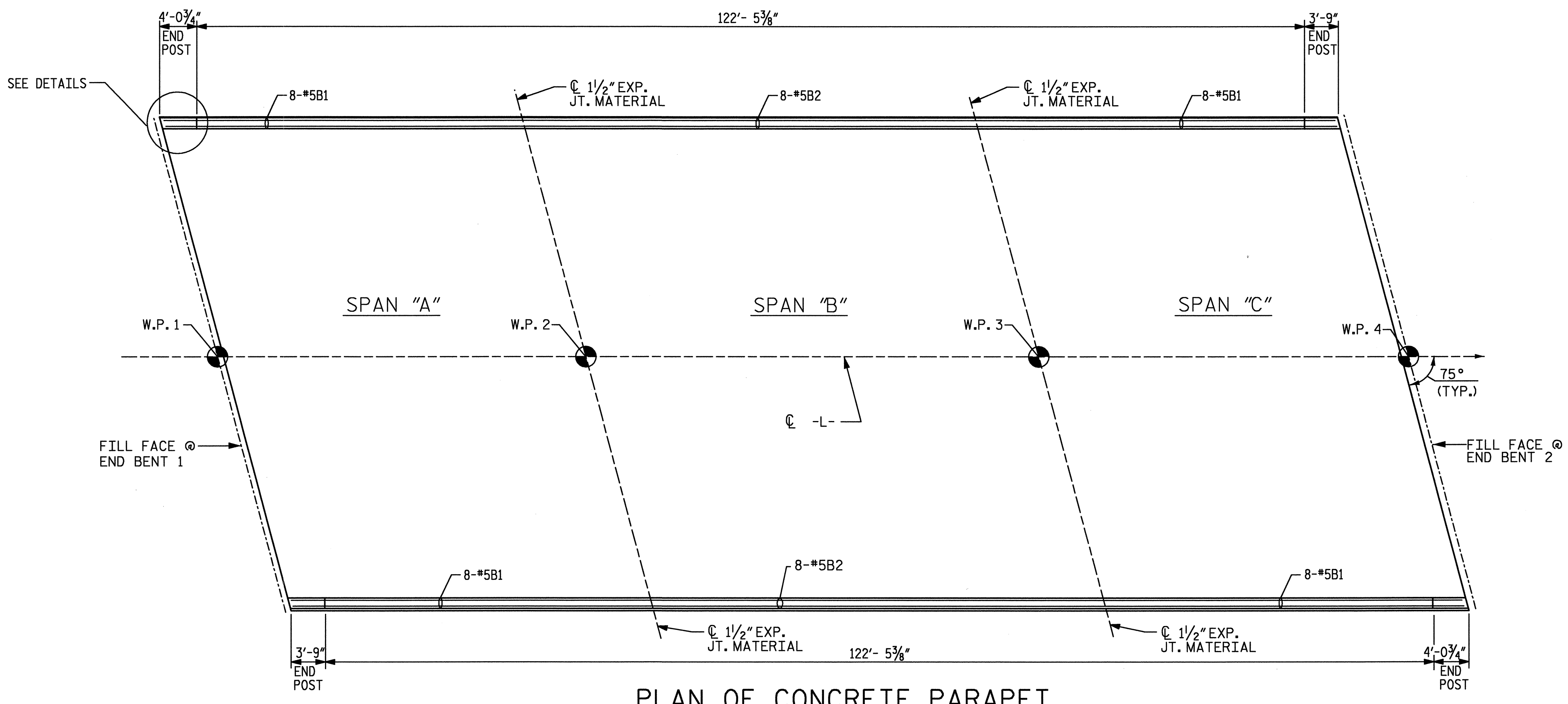
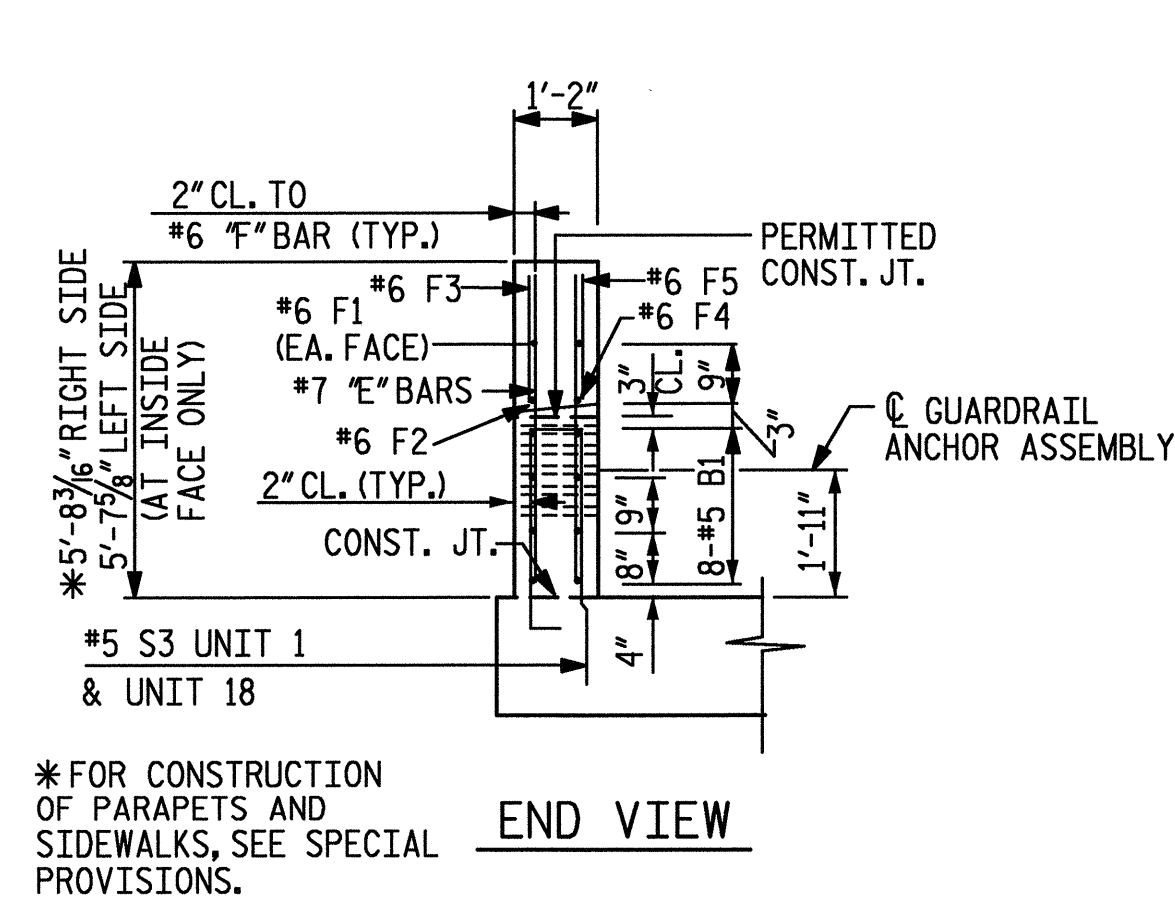


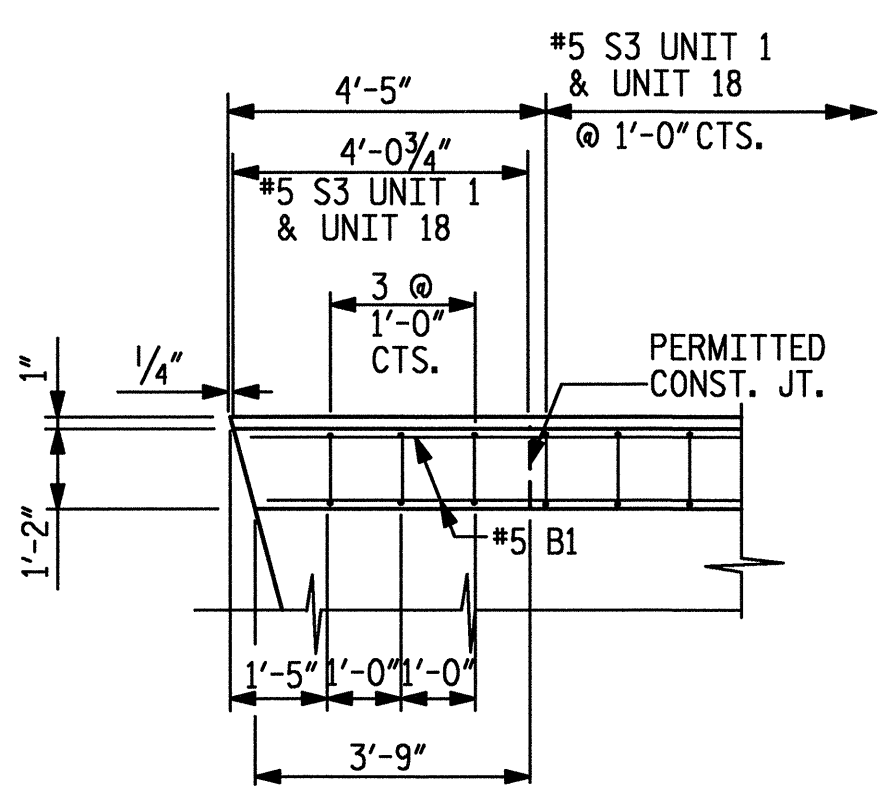
TWO BAR METAL RAIL					
BILL OF MATERIAL FOR CONCRETE PARAPET AND FOUR END POSTS					
BAR NUMBER	SIZE	TYPE	LENGTH	WEIGHT	
*B1	32	#5	STR	39'-8"	1324
*B2	16	#5	STR	49'-8"	829
*E1	4	#7	STR	2'-8"	22
*E2	4	#7	STR	3'-2"	26
*E3	4	#7	STR	3'-8"	30
*E4	4	#7	STR	4'-2"	34
*E5	4	#7	STR	4'-6"	37
*E6	4	#7	STR	3'-5"	28
*E7	4	#7	STR	3'-11"	32
*E8	4	#7	STR	4'-5"	36
*E9	4	#7	STR	4'-11"	40
*E10	4	#7	STR	5'-3"	43
*F1	8	#6	STR	1'-9"	21
*F2	4	#6	STR	2'-11"	18
*F3	4	#6	STR	4'-0"	24
*F4	4	#6	STR	3'-3"	20
*F5	4	#6	STR	4'-4"	26
* EPOXY COATED REINFORCING STEEL = 2590 LBS.					
TOTAL CLASS AA CONCRETE = 40.8 CU YDS.					
CONCRETE PARAPET AND ENDPOSTS = 260.52 L.F.					



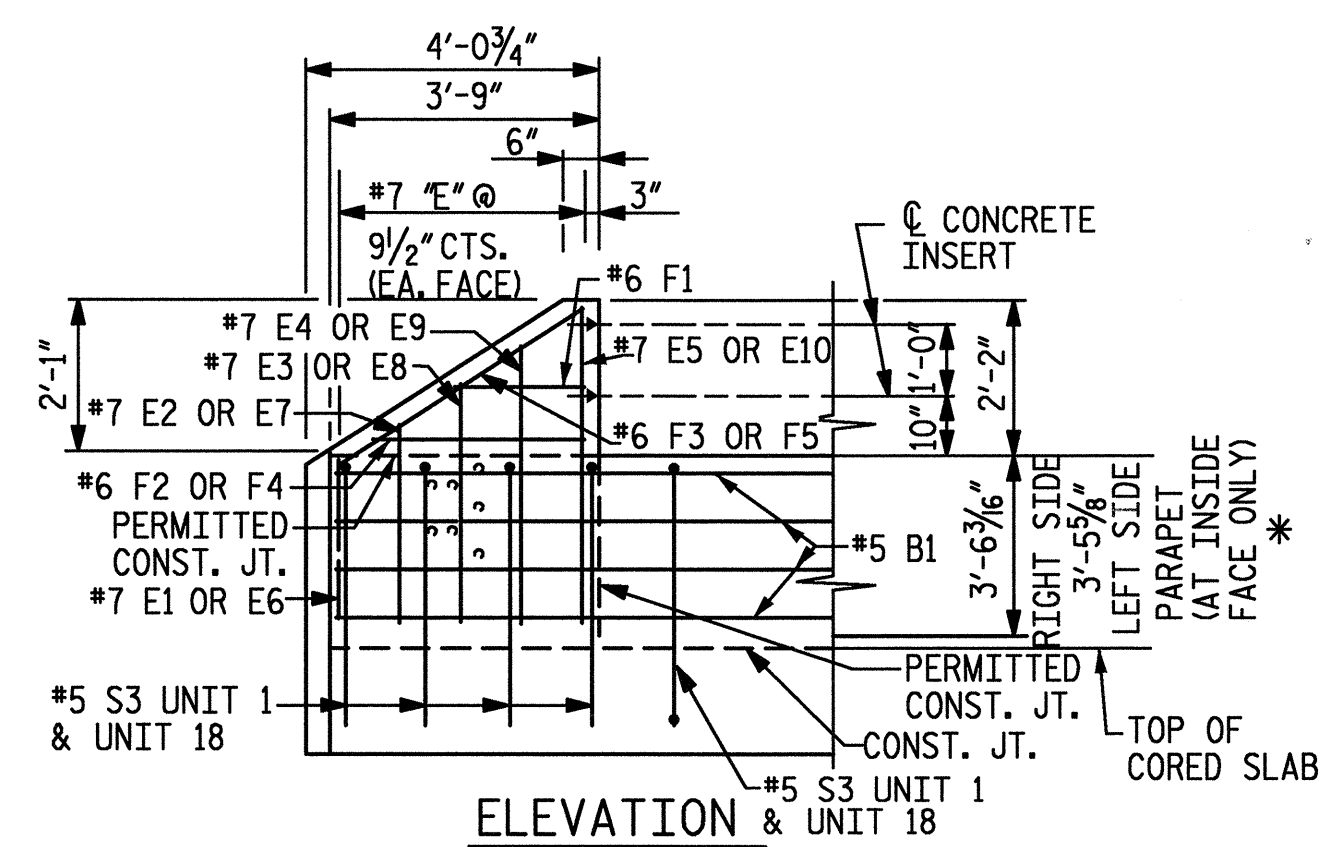
PLAN OF CONCRETE PARAPET
 NOTES: DIMENSIONS ARE MEASURED ALONG BACK OF PARAPET



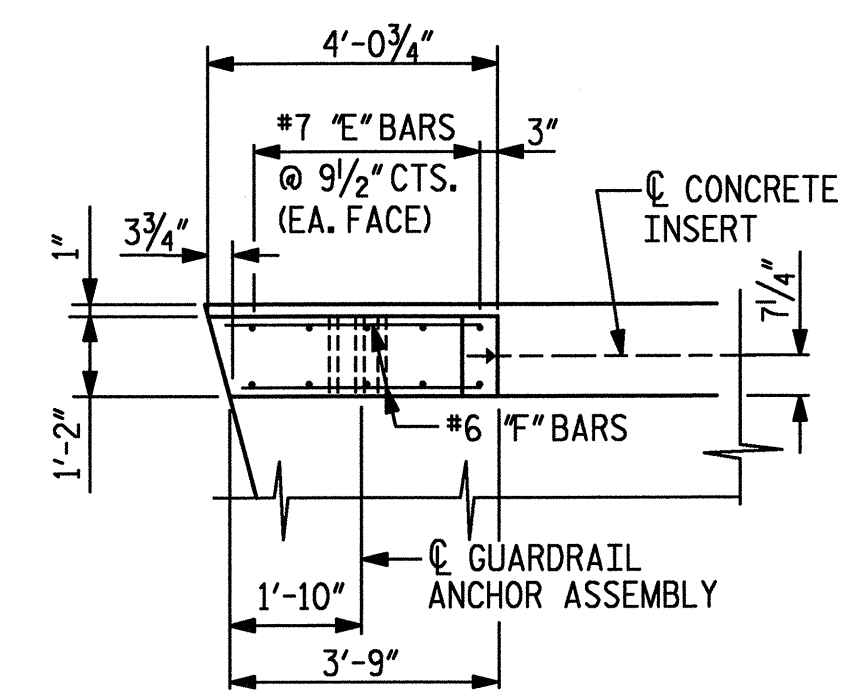
END VIEW



PLAN OF PARAPET



ELEVATION & UNIT 18



PLAN OF END POST

PARAPET AND END POST DETAILS FOR TWO BAR RAIL

WBS. NO. 37017
 WAKE COUNTY
 STATION: 14+04.00 -L-
 REPLACES BRIDGE NO. 133
 SHEET OF

STATE OF NORTH CAROLINA
 DEPARTMENT OF TRANSPORTATION
 RALEIGH

PARAPET AND END POST DETAILS

1-12-06

SEAL 22072
 ENGINEER ARTHUR DILWORTH

ETHERILL ENGINEERING
 559 Jones Franklin Rd., Suite 164
 Raleigh, N.C. 27606
 Bus: 919 851 8077
 Fax: 919 851 8007

REVISIONS						SHEET NO. S-8
NO.	BY	DATE	NO.	BY	DATE	
1			1			TOTAL SHEETS 23
2			2			

P:\4100\MA050015\Structures\DWG\PARAPET.dgn
 1/12/2006 10:47:20 AM

DRAWN BY: J. PENDERGRAFT DATE: 2/05
 CHECKED BY: J. DILWORTH DATE: 2/05

TRANSPORTATION PLANNING/DESIGN - BRIDGE/STRUCTURE DESIGN
 CIVIL/SITE DESIGN - GIS/GPS - CONSTRUCTION OBSERVATION