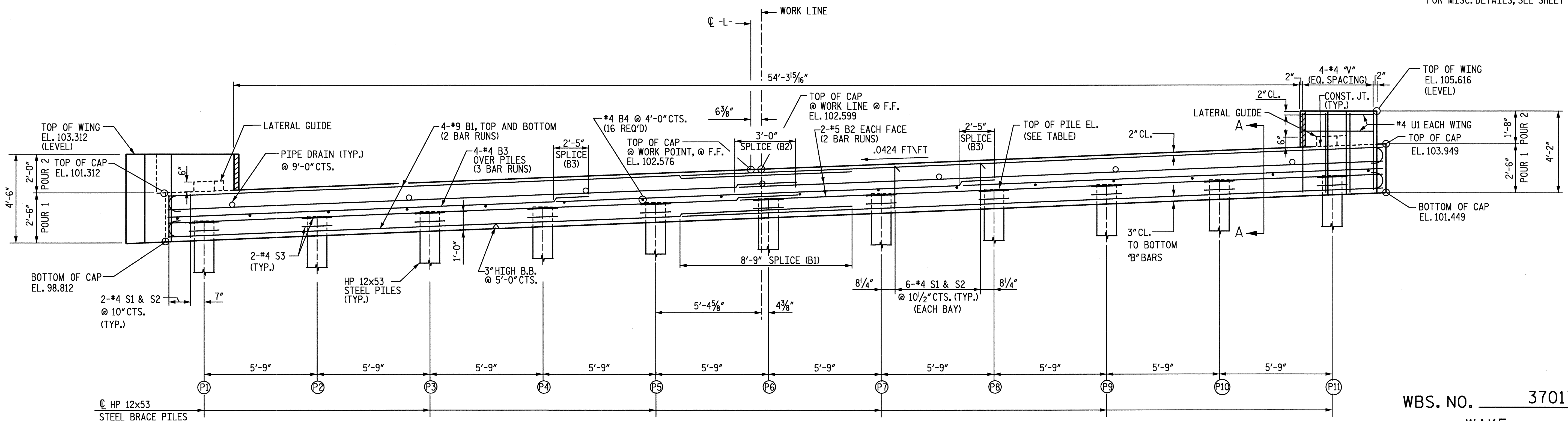


PLAN

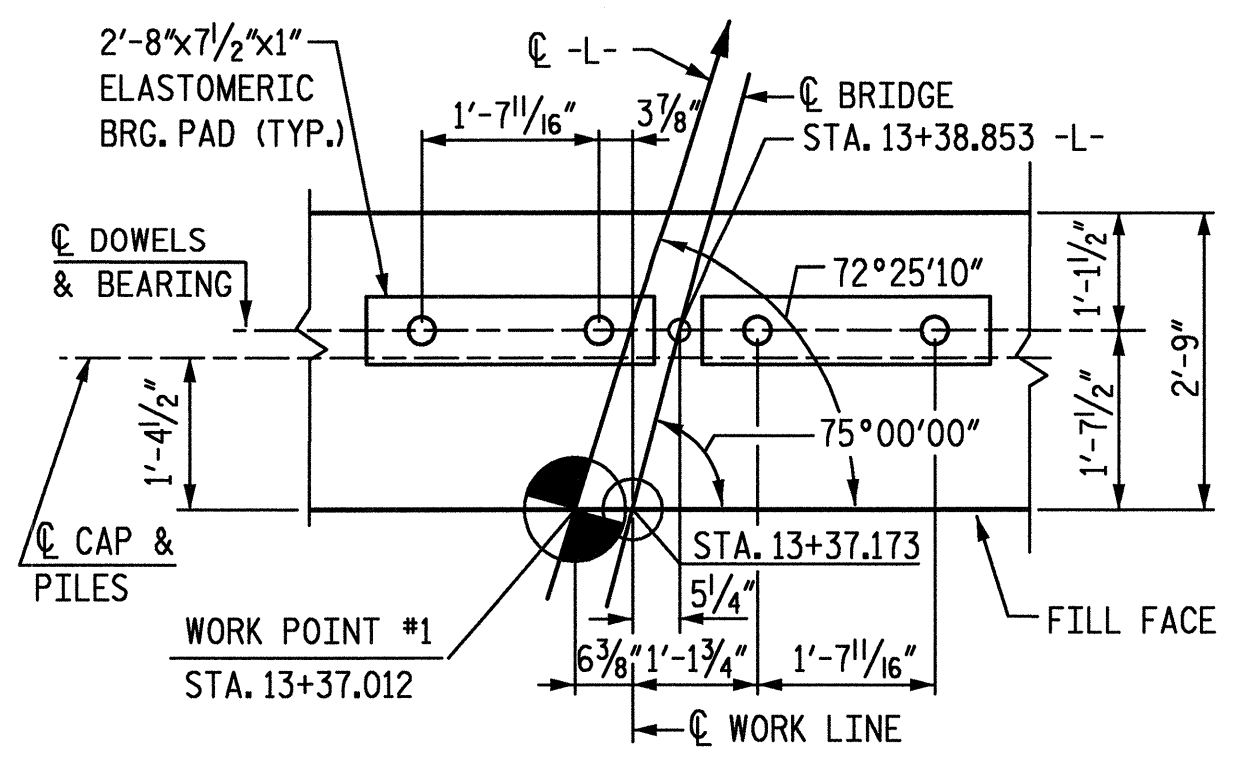
**NOTES:**  
 STIRRUPS IN CAP MAY BE SHIFTED AS NECESSARY TO CLEAR DOWELS.  
 PIPE DRAINS MAY BE SHIFTED AS NECESSARY TO CLEAR REINFORCING STEEL.  
 FOR SECTION A-A, SEE SHEET 2 OF 3.  
 FOR MISC. DETAILS, SEE SHEET 2 OF 3.



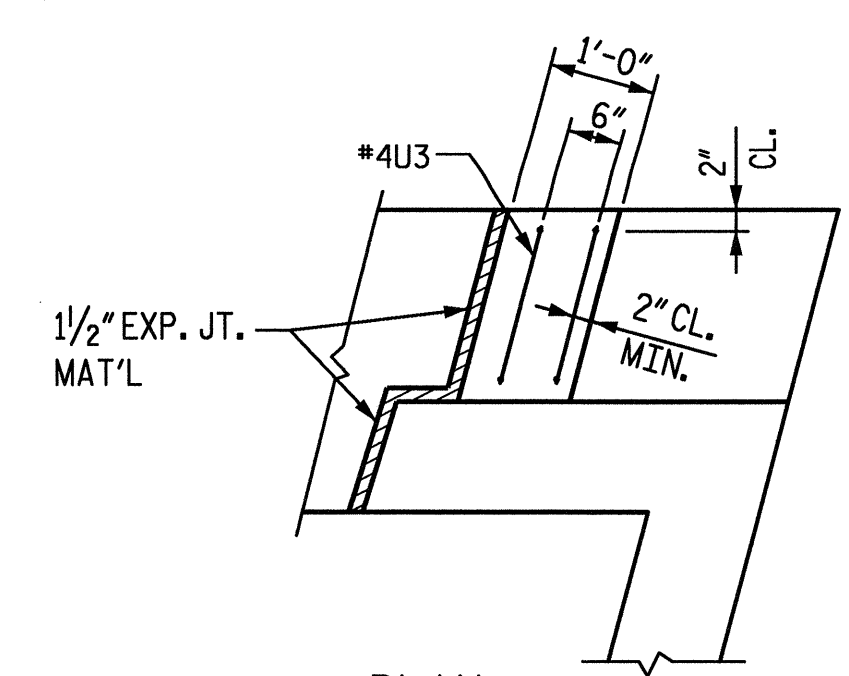
ELEVATION

WBS. NO. 37017  
 WAKE COUNTY  
 STATION: 14+04.00 -L-  
 REPLACES BRIDGE NO. 133  
 SHEET 1 OF 3

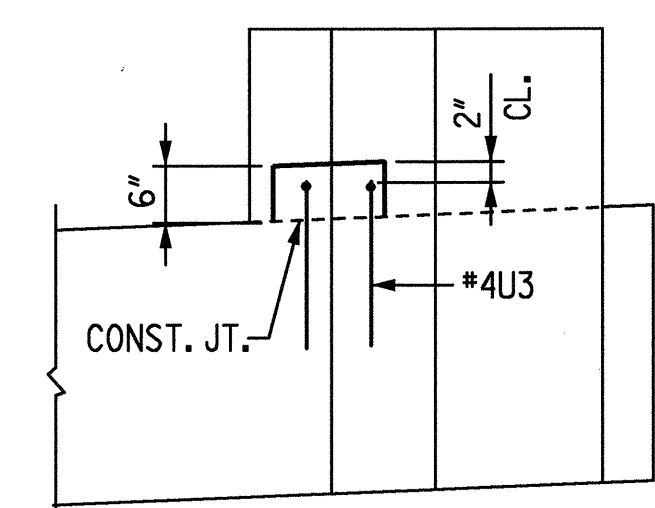
TOP OF PILE ELEVATION	
PILE LOCATION	ELEVATION
P1	99.895
P2	100.139
P3	100.383
P4	100.627
P5	100.871
P6	101.114
P7	101.358
P8	101.602
P9	101.846
P10	102.090
P11	102.334



DETAIL A

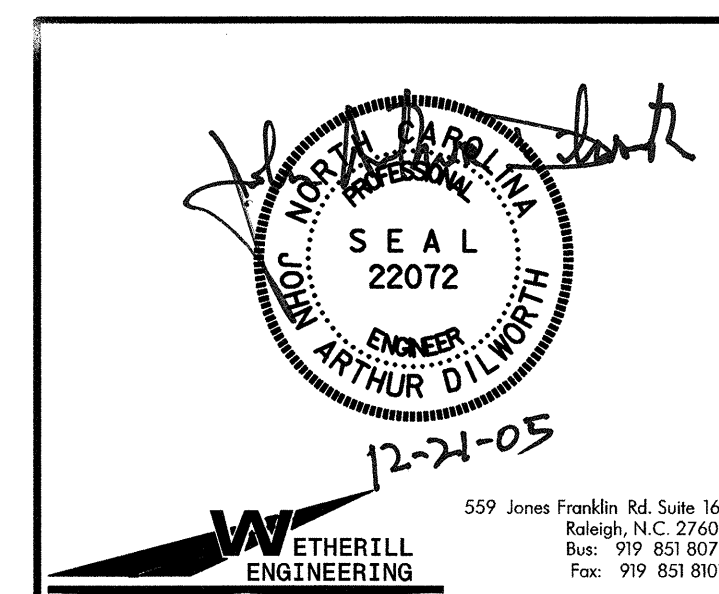


PLAN



ELEVATION

LATERAL GUIDE



STATE OF NORTH CAROLINA DEPARTMENT OF TRANSPORTATION RALEIGH					
SUBSTRUCTURE END BENT 1					
REVISIONS					
NO.	BY	DATE	NO.	BY	DATE
1			1		
2			2		

SHEET NO. S-14  
 TOTAL SHEETS 23

PA-1100M AQ5001B Structures DWG end bent 1.dgn  
 12/21/2005 12:08:10 PM

DRAWN BY: J. PENDERGRAFT DATE: 4-05  
 CHECKED BY: J. DILWORTH DATE: 4-05

559 Jones Franklin Rd. Suite 164  
 Raleigh, N.C. 27605  
 Bus: 919 851 8077  
 Fax: 919 851 8107  
 WETHERILL ENGINEERING