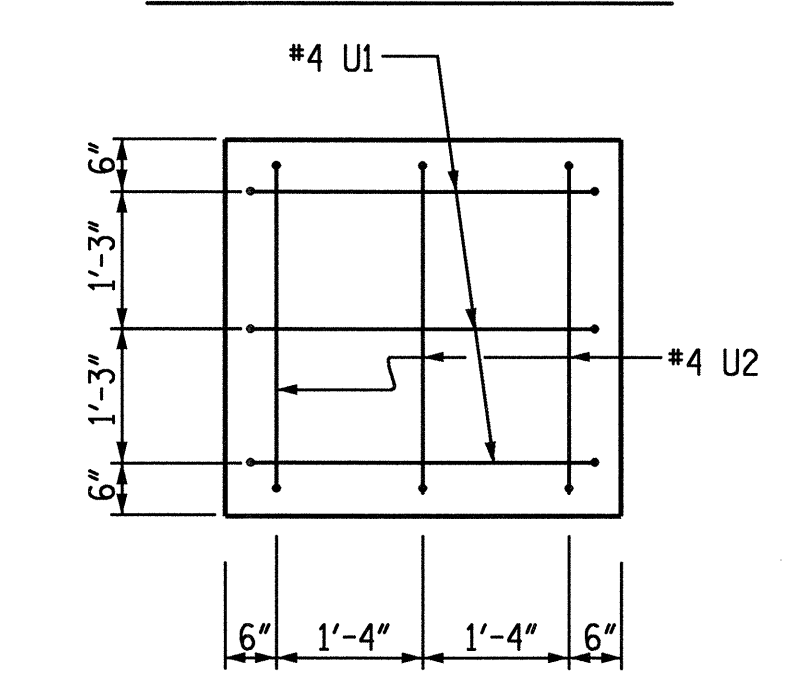
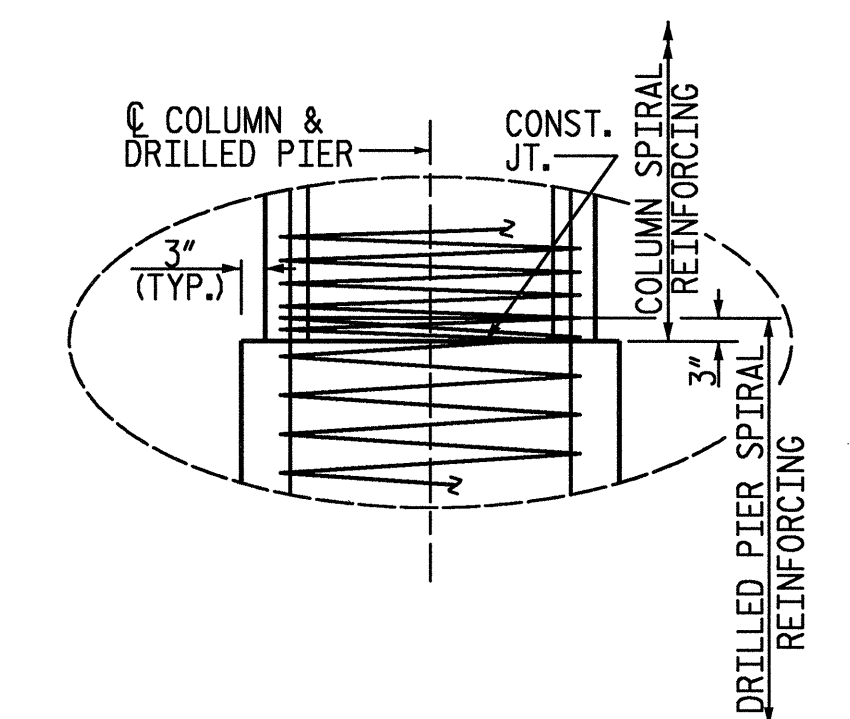


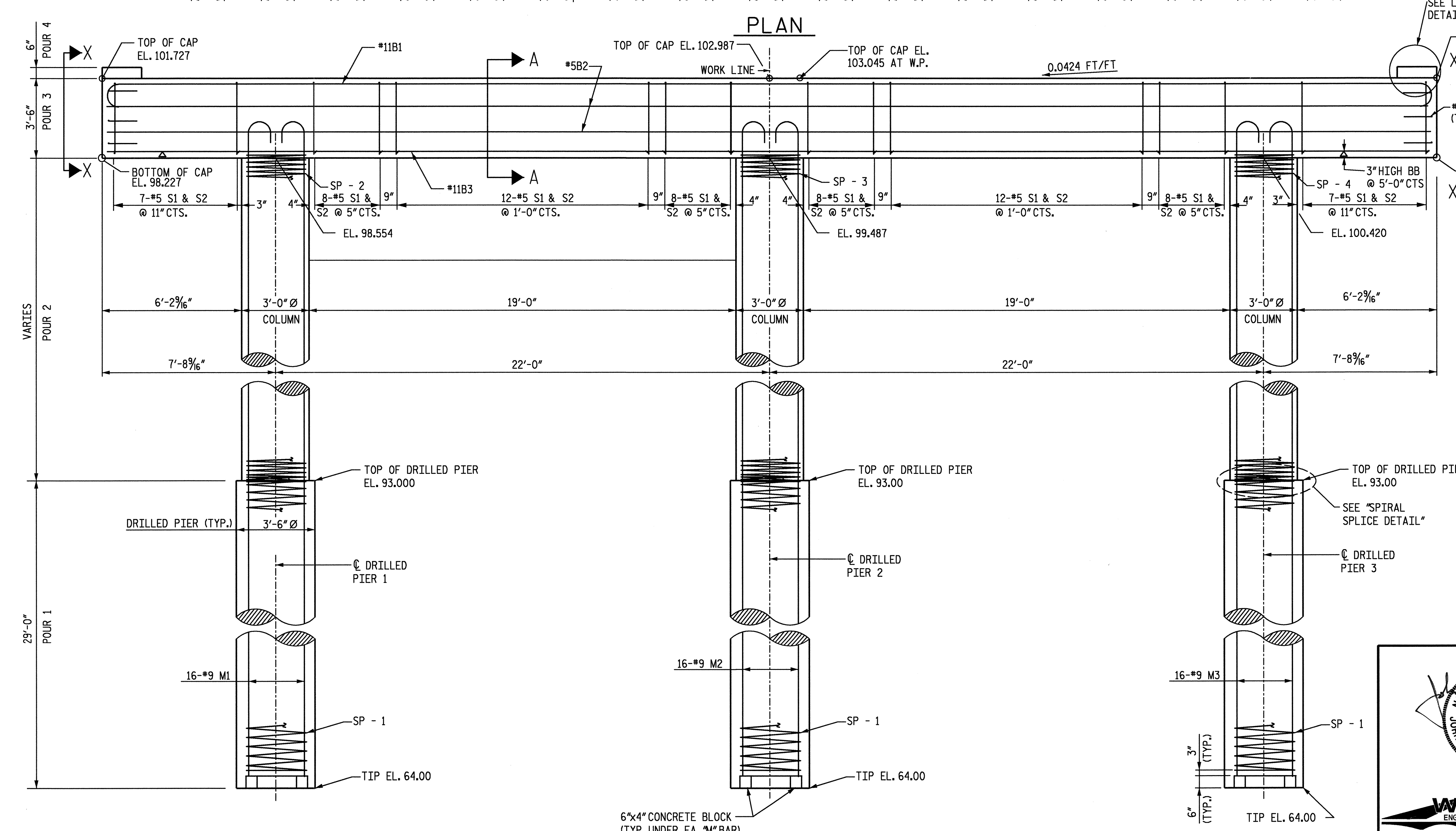
SECTION A-A



SECTION X-X



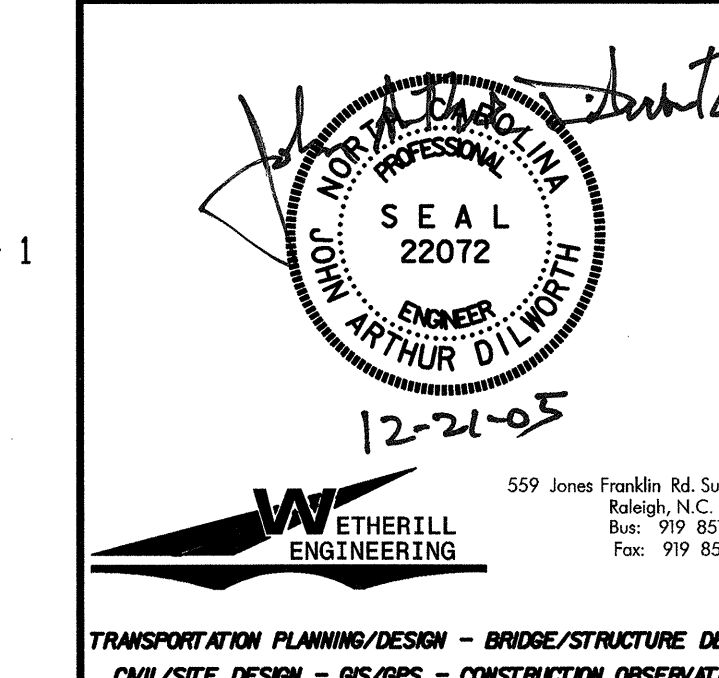
SPIRAL SPLICE DETAIL



ELEVATION

WBS. NO. 37017
 WAKE COUNTY
 STATION: 14+04.00 -L-
 REPLACES BRIDGE NO. 133

SHEET 1 OF 2



STATE OF NORTH CAROLINA DEPARTMENT OF TRANSPORTATION RALEIGH					
SUBSTRUCTURE BENT 1					
REVISIONS					
NO.	BY	DATE	NO.	BY	DATE
1			1		
2			2		

SHEET NO. S-17
 TOTAL SHEETS 23

PA:4:100\AQ0500\1\Structures\DWG\benfs.dgn
 12/21/2005 10:07:35 AM

DRAWN BY: J. PENDERGRAFT DATE: 3-05
 CHECKED BY: J. DILWORTH DATE: 3-05