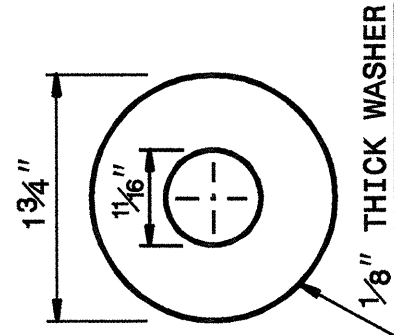
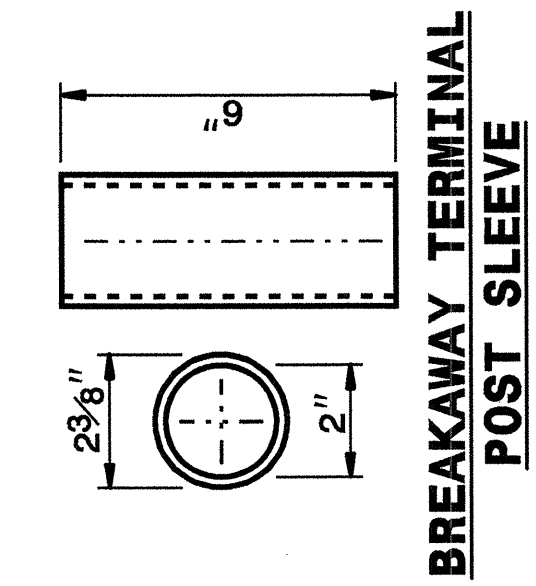


19-OCT-2004 14:39
 W:\Special_Details\en\over-stds\02\stds to Special_Details\english\86202_0862d02.dgn
 ereward A1_05212260

STATE OF
 NORTH CAROLINA
 DEPT. OF TRANSPORTATION
 DIVISION OF HIGHWAYS
 RALEIGH, N.C.

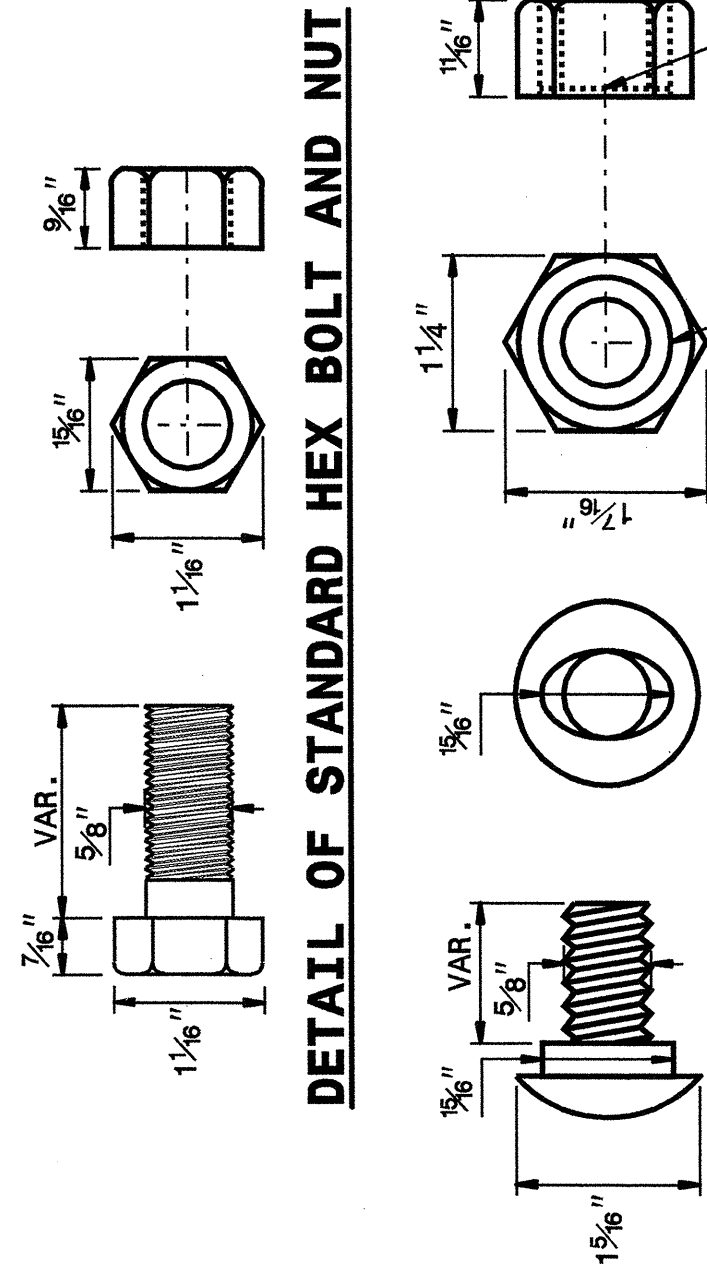
ENGLISH DETAIL DRAWING FOR
GUARDRAIL INSTALLATION

SHEET 5 OF 7
862D02

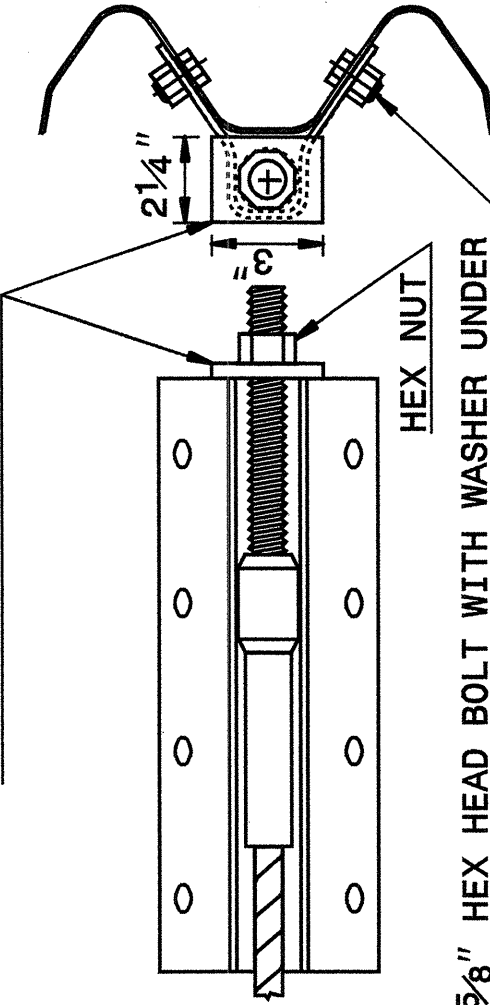


DETAIL OF STANDARD WASHER

STANDARD WASHER: TYPICAL USE UNDER NUT WITH WOOD POST

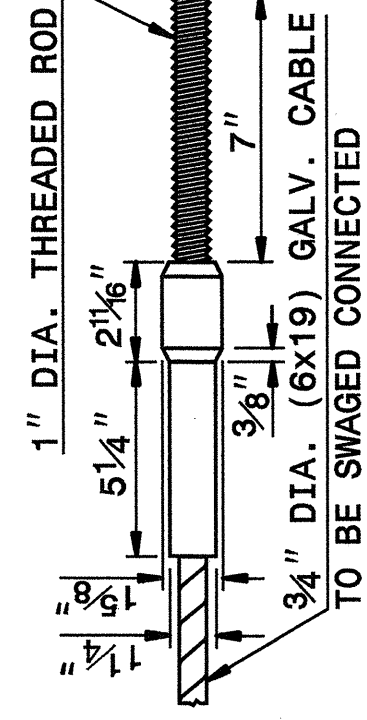


3/8" THICK END PLATE
 WITH 1 1/8" DIA. HOLE
 CENTERED IN PLATE.
 END PLATE TO BE WELDED
 TO ANCHOR PLATE.

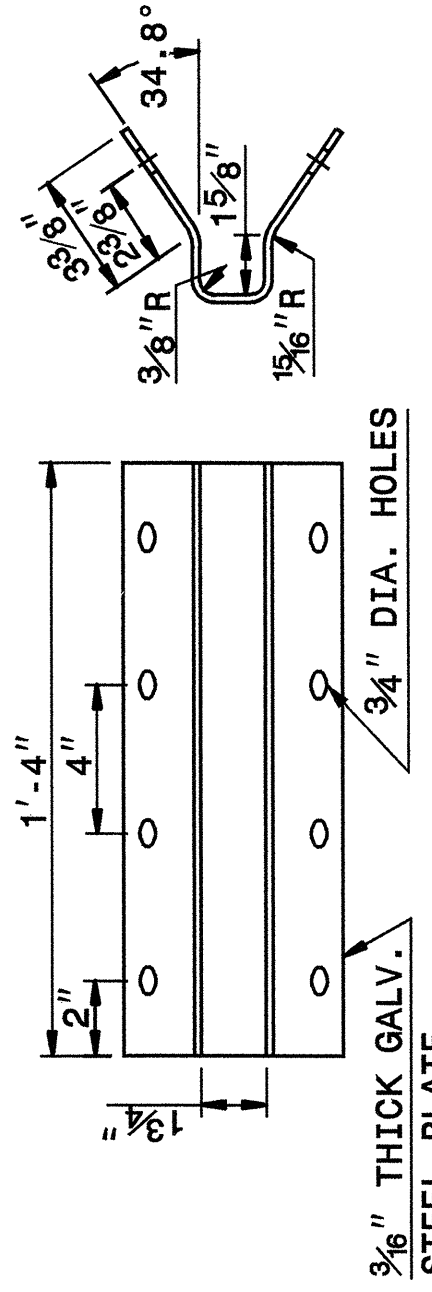


5/8" HEX HEAD BOLT WITH WASHER UNDER
 NUT (8 REQUIRED PER ASSEMBLY)

ANCHOR PLATE ASSEMBLY



SWAGED CABLE



SYSTEM PARTS

SHEET 5 OF 7
862D02

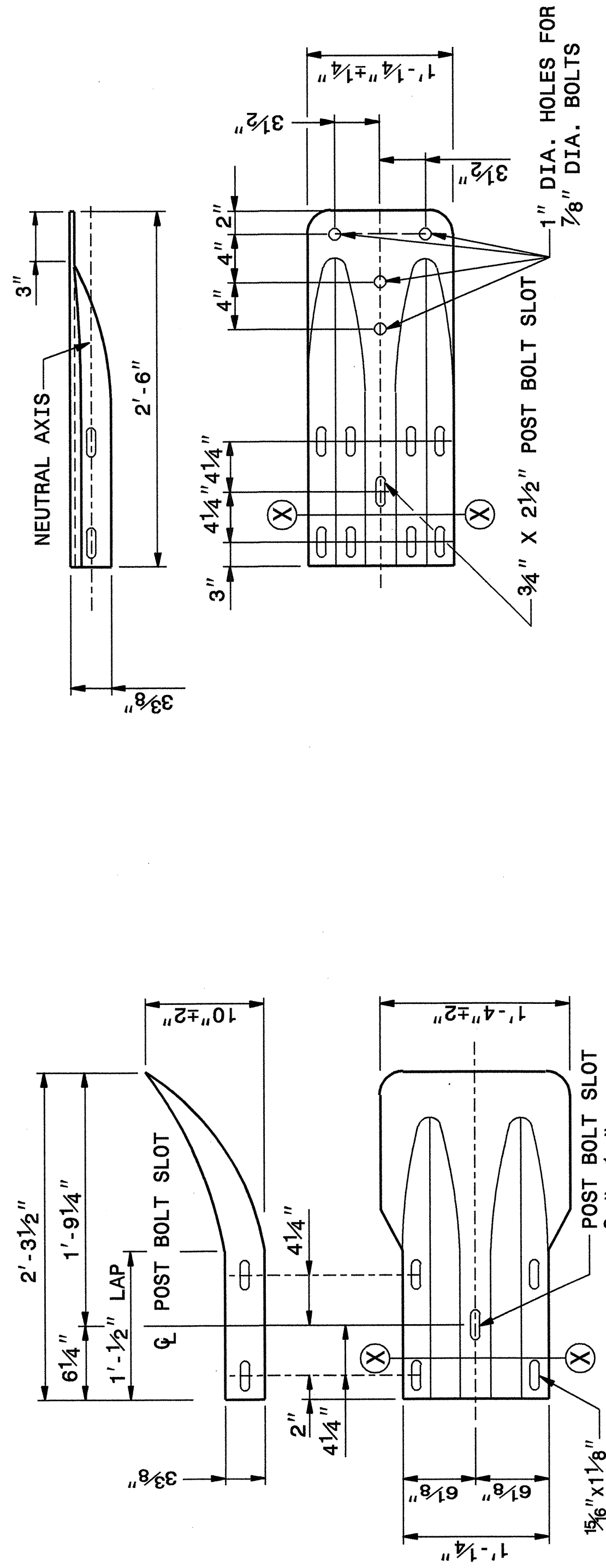
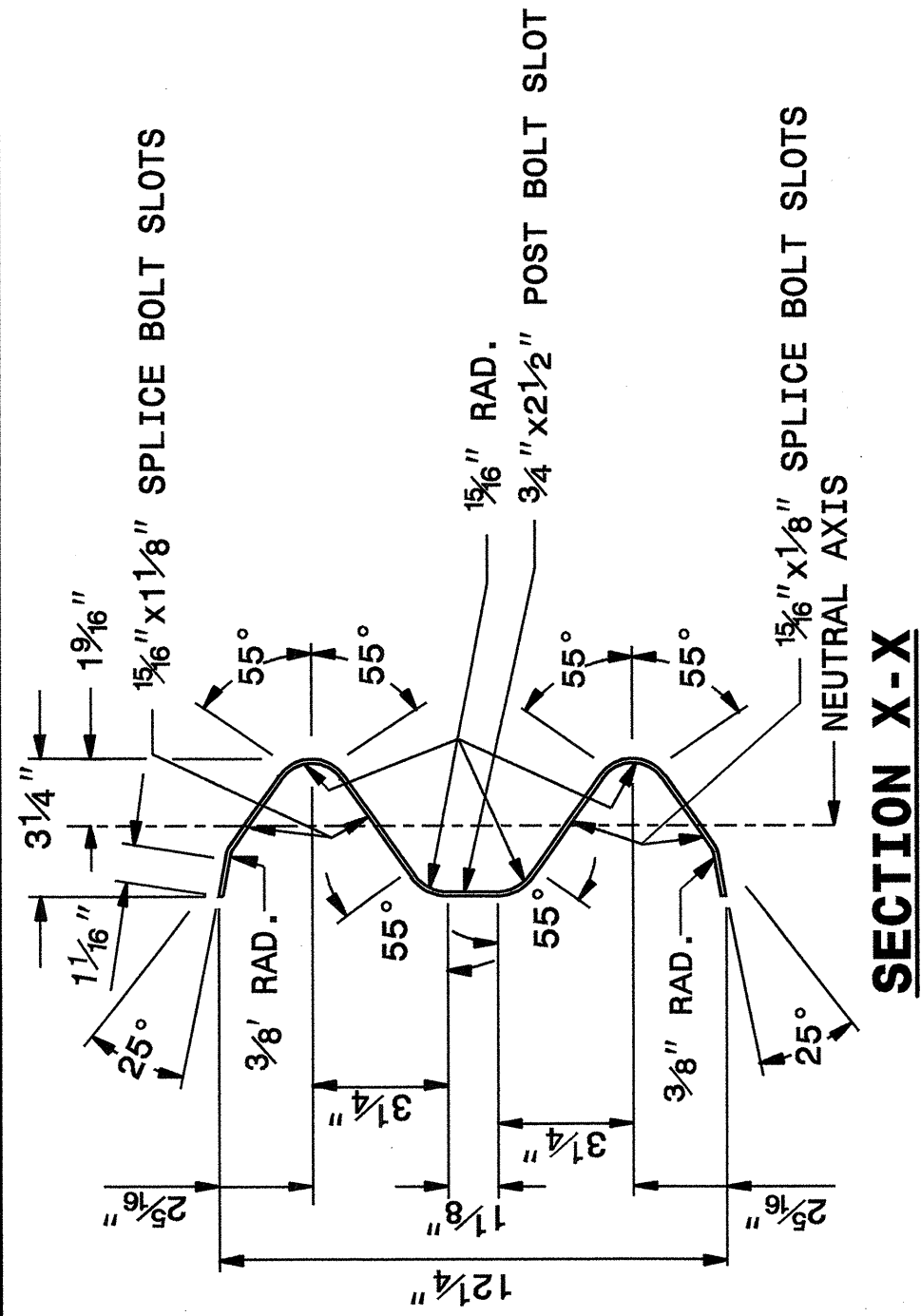
STATE OF
 NORTH CAROLINA
 DEPT. OF TRANSPORTATION
 DIVISION OF HIGHWAYS
 RALEIGH, N.C.

ENGLISH DETAIL DRAWING FOR
GUARDRAIL INSTALLATION

STATE OF
 NORTH CAROLINA
 DEPT. OF TRANSPORTATION
 DIVISION OF HIGHWAYS
 RALEIGH, N.C.

ENGLISH DETAIL DRAWING FOR
GUARDRAIL INSTALLATION

SHEET 6 OF 7
862D02



SYSTEM PARTS - GENERAL USE

SHEET 6 OF 7
862D02

STATE OF
 NORTH CAROLINA
 DEPT. OF TRANSPORTATION
 DIVISION OF HIGHWAYS
 RALEIGH, N.C.

ENGLISH DETAIL DRAWING FOR
GUARDRAIL INSTALLATION

PROJECT SERVICES UNIT
 STANDARDS AND SPECIAL DESIGN
 Office 919-250-4128 FAX 919-250-4119

SEE PLATE FOR TITLE

ORIGINAL BY: 2002 STD.862.02 DATE: _____
 MODIFIED BY: E.E. WARD DATE: 02-09-03
 CHECKED BY: *Joel S. Hovey* DATE: 10/21/04
 FILE SPEC.: \\vsf\stds\02\detail\english\86202\862d02.dgn

