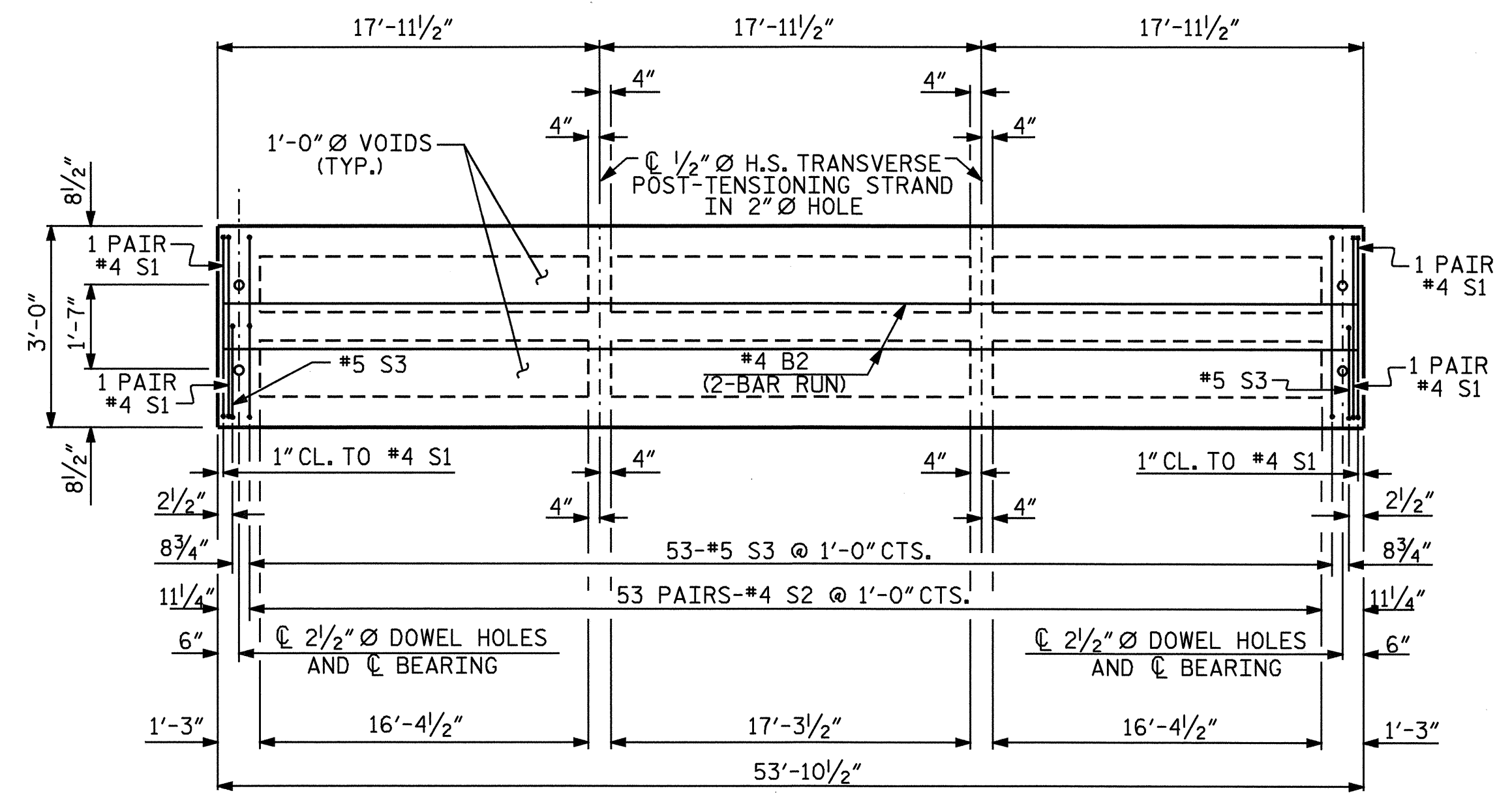
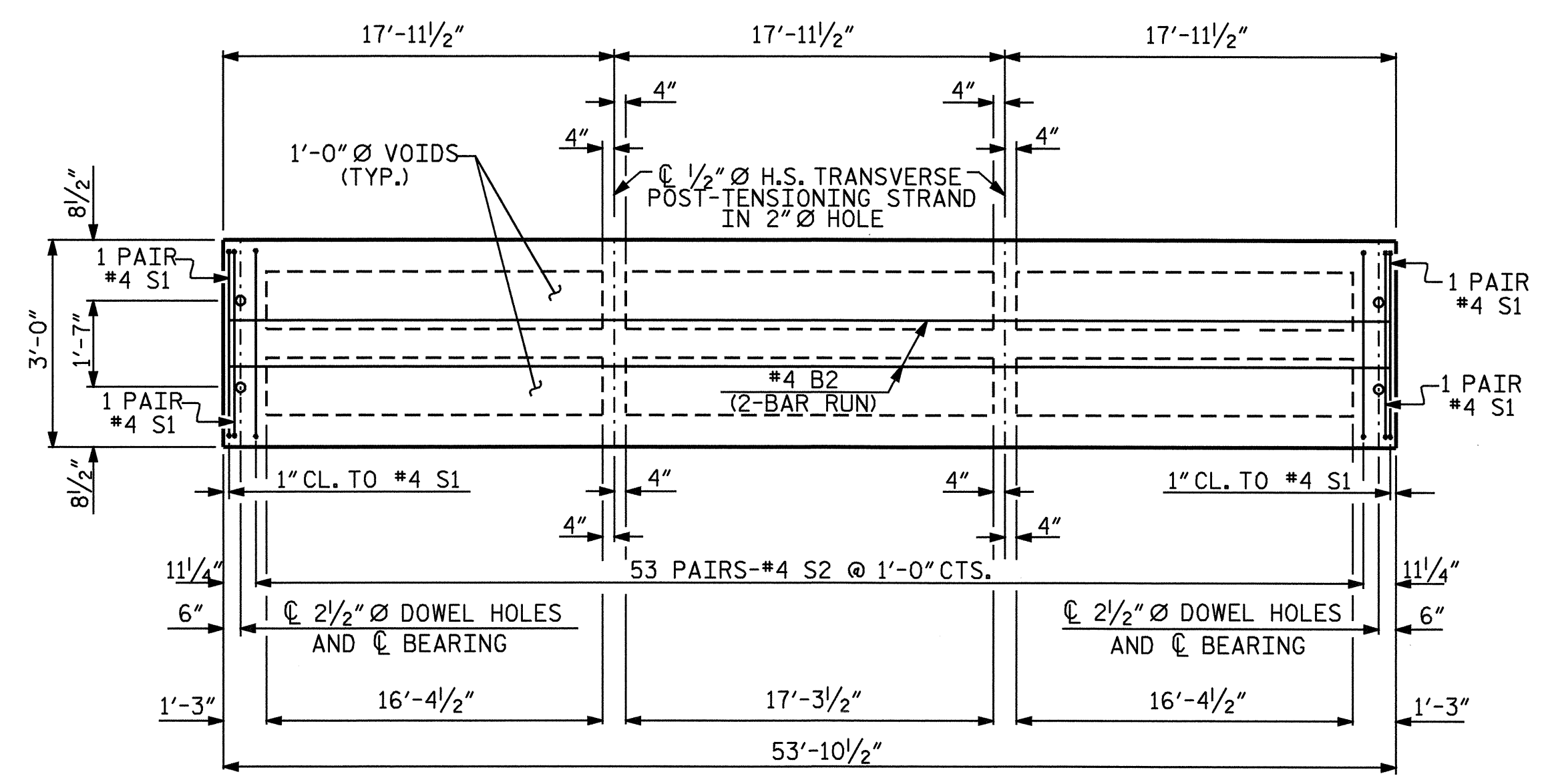


SPAN B

NOTE:- #5 B4 BARS IN PARAPET SHALL BE FIELD CUT WHEN NECESSARY TO AVOID BLOCKOUT.



PLAN OF EXTERIOR CORED SLAB UNIT



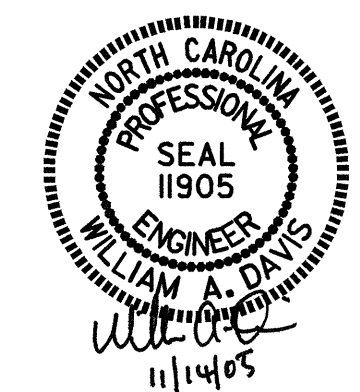
PLAN OF INTERIOR CORED SLAB UNIT

PROJECT NO. B-4152
HOKE COUNTY
 STATION: 14+70.00 -L-

SHEET 3 OF 4

STATE OF NORTH CAROLINA
 DEPARTMENT OF TRANSPORTATION
 RALEIGH

SUPERSTRUCTURE
 PLAN OF SPAN B



DRAWN BY : J.G. KHARVA DATE : 08/03/05
 CHECKED BY : W.A. DAVIS DATE : 08/11/05

REVISIONS						SHEET NO.
NO.	BY:	DATE:	NO.	BY:	DATE:	S-6
1			3			TOTAL SHEETS 26
2			4			