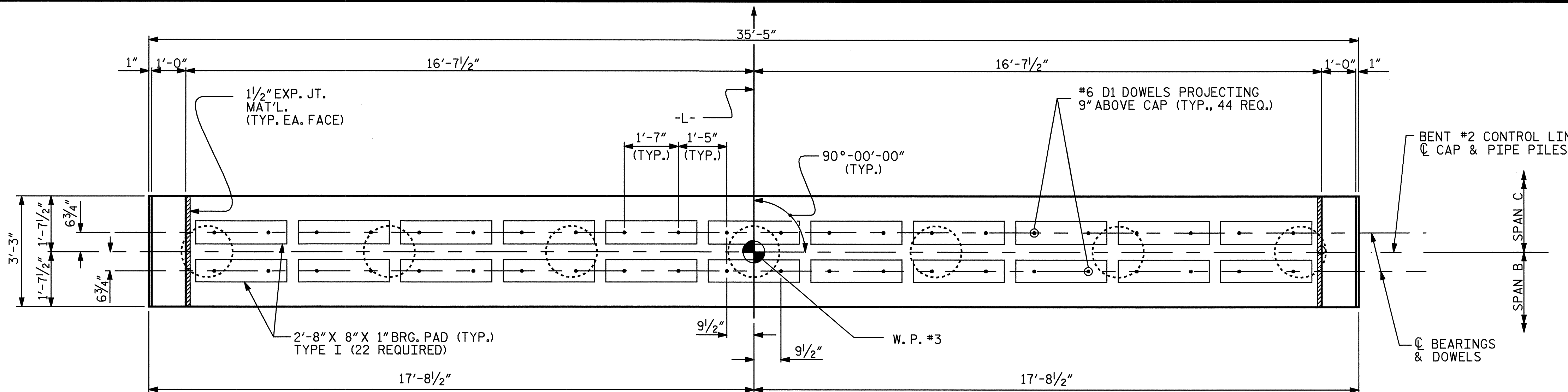
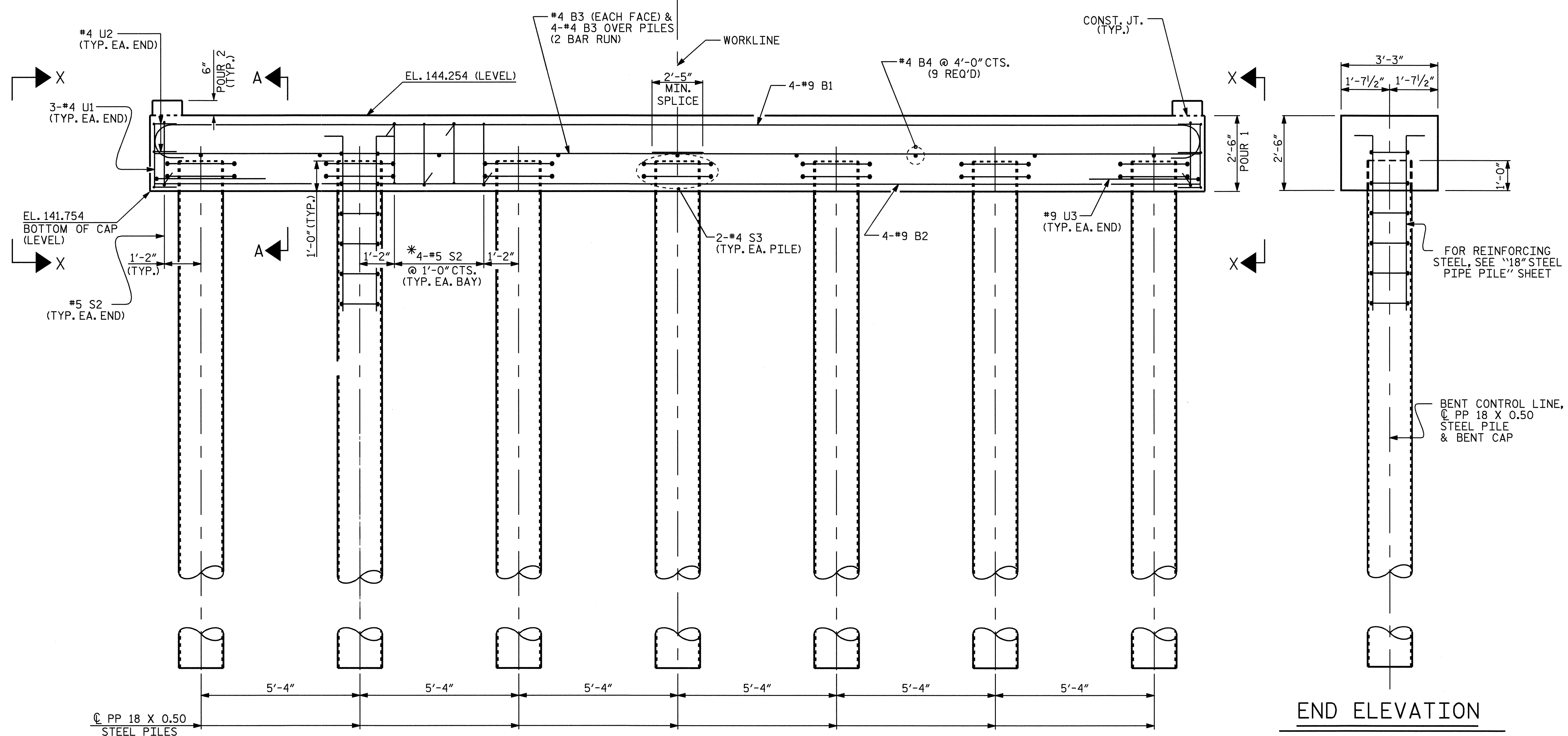


NOTES

STIRRUPS IN CAP MAY BE SHIFTED AS NECESSARY TO CLEAR ANCHOR BOLTS.
 FOR REINFORCING STEEL IN PIPE PILES, SEE "18" STEEL PIPE PILE " SHEET.
 LATERAL GUIDES AT THE END OF CAP ARE NOT TO BE POURED UNTIL AFTER CORED SLAB UNITS ARE IN PLACE.
 *INVERT ALTERNATE STIRRUPS.

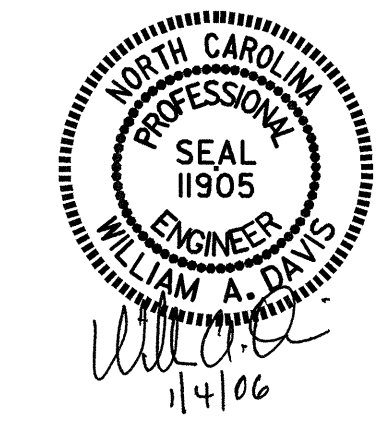


PLAN



ELEVATION

END ELEVATION



PROJECT NO. B-4152
HOKE COUNTY
 STATION: 14+70.00 -L-

SHEET 1 OF 2

STATE OF NORTH CAROLINA
 DEPARTMENT OF TRANSPORTATION
 RALEIGH

SUBSTRUCTURE
 BENT #2

REVISIONS						SHEET NO.
NO.	BY:	DATE:	NO.	BY:	DATE:	5-18
1			3			TOTAL SHEETS
2			4			26

DRAWN BY : J. G. KHARVA DATE : 4/05/05
 CHECKED BY : W. F. PARKER DATE : 06/29/05