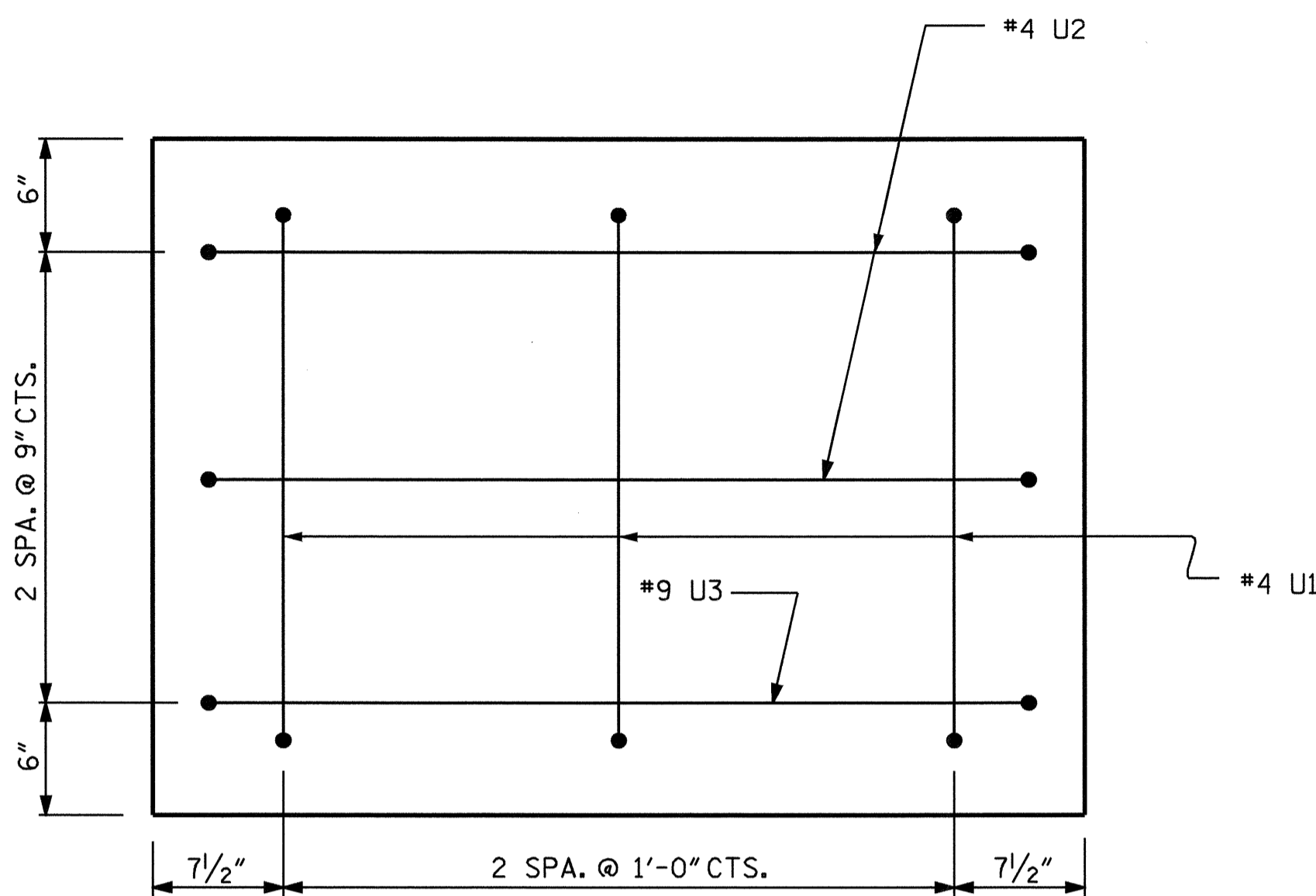
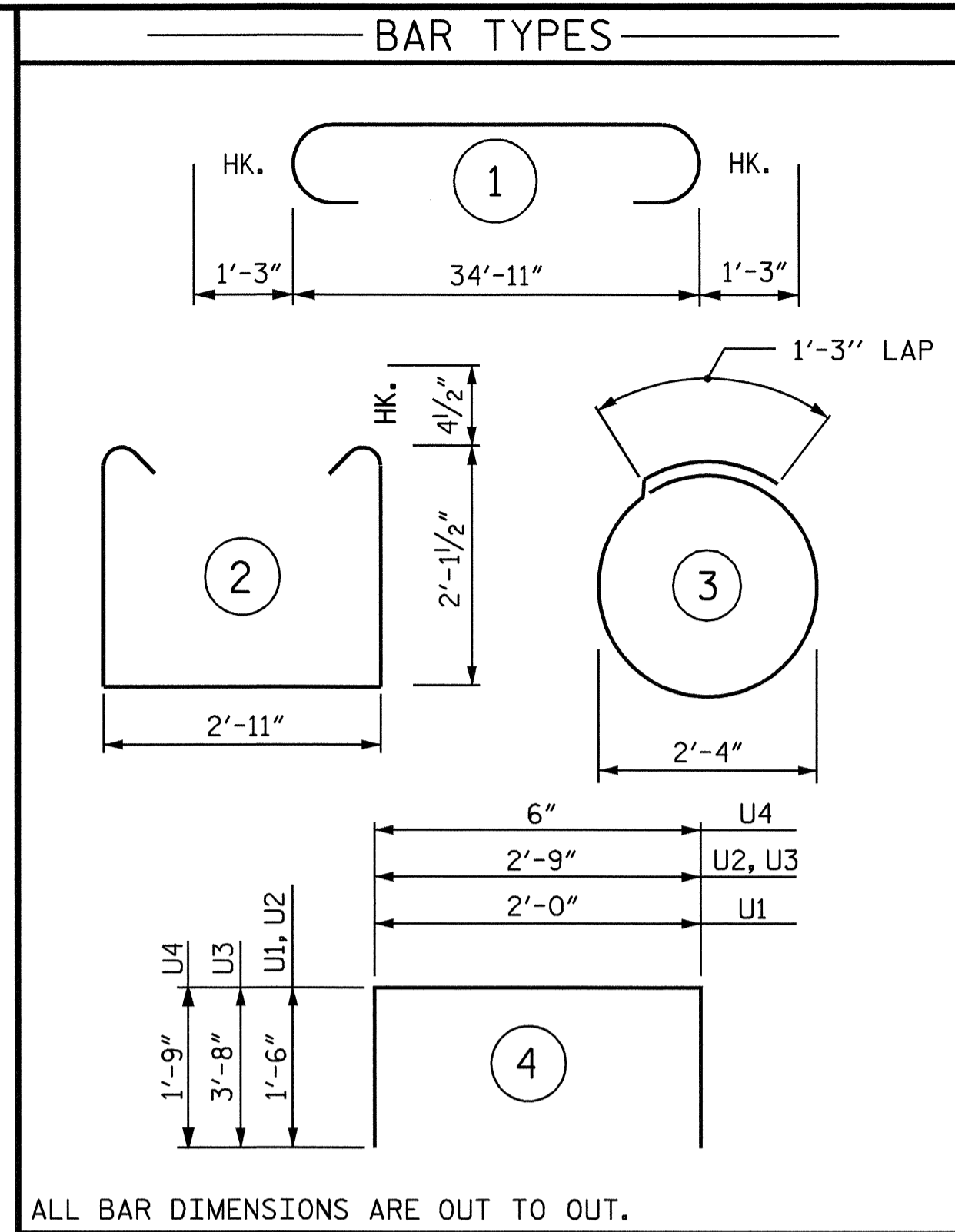


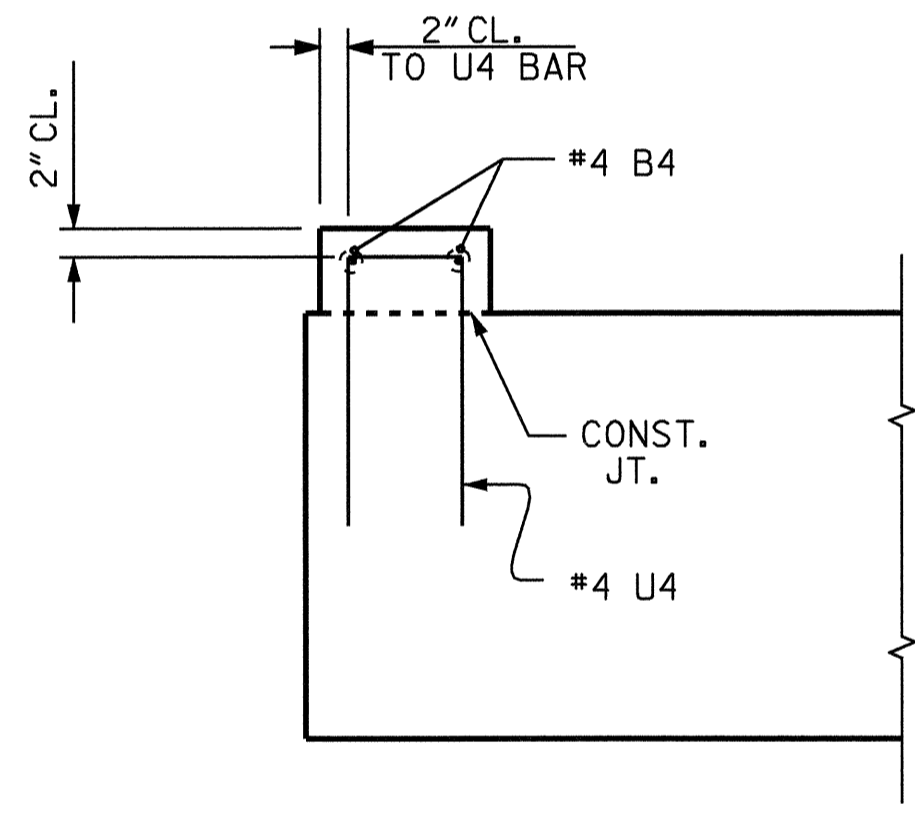
SECTION A-A



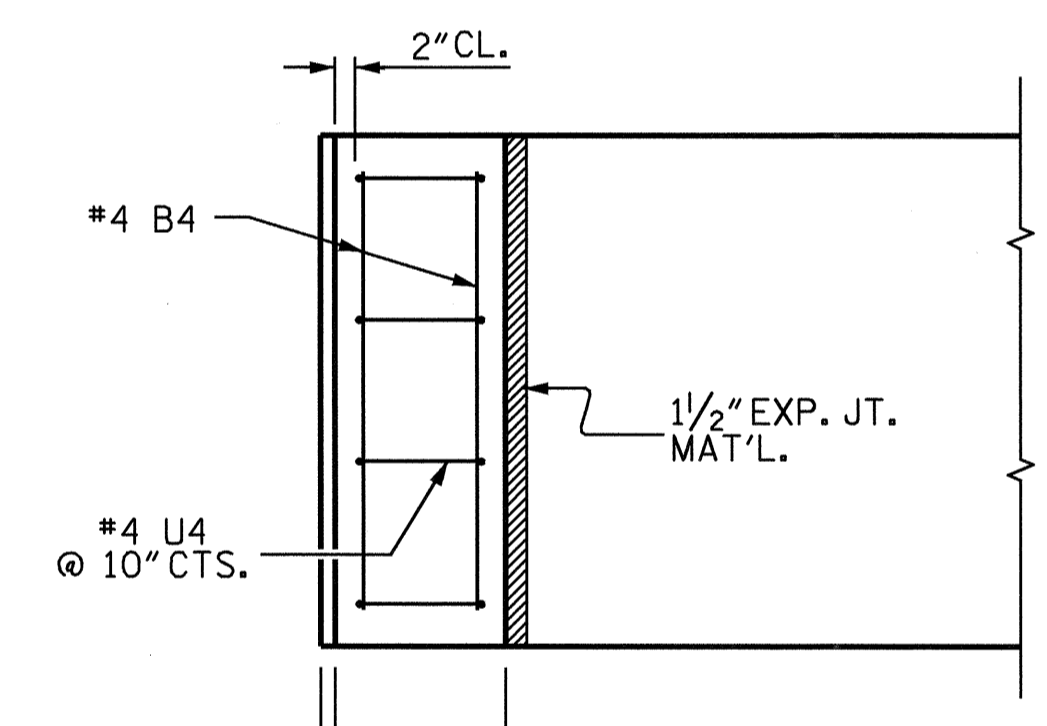
VIEW X-X
(TYP. EA. END)



BILL OF MATERIAL					
BENT #2					
BAR	NO.	SIZE	TYPE	LENGTH	WEIGHT
B1	4	#9		37'-5"	509
B2	4	#9	STR	35'-1"	477
B3	12	#4	STR	18'-9"	150
B4	13	#4	STR	2'-11"	25
D1	44	#6	STR	1'-6"	99
S2	26	#4		7'-11"	137
S3	14	#4		8'-7"	80
U1	6	#4		5'-0"	20
U2	4	#4		5'-9"	15
U3	2	#9		10'-1"	69
U4	8	#4		4'-0"	21
REINFORCING STEEL				LBS.	1602
CLASS A CONCRETE					
POUR #1: CAP				CU. YD.	10.2
POUR #2: LATERAL GUIDES				CU. YD.	0.1
TOTAL				CU. YD.	10.3
PP 18 X 0.05 STEEL PILES					
NO. 7				LIN. FT.	448.0

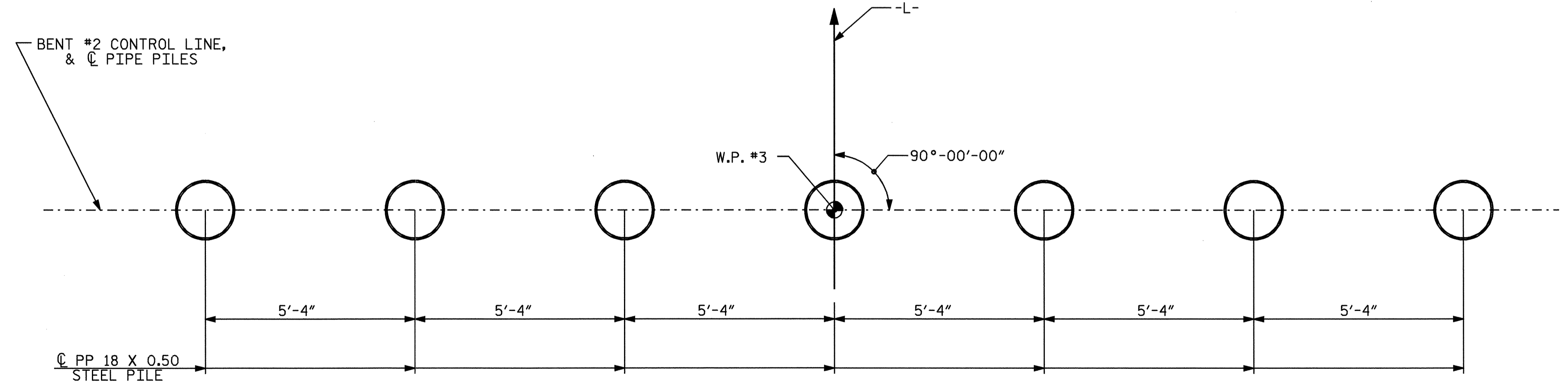


ELEVATION



PLAN

LATERAL GUIDE DETAILS

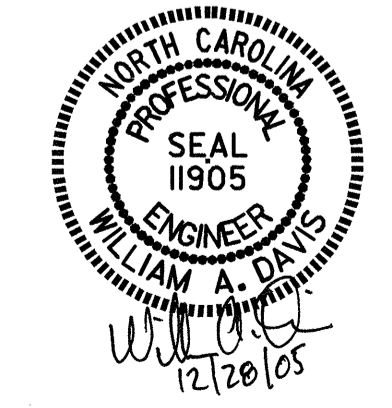


PLAN OF STEEL PIPE PILES

PROJECT NO. B-4152
 HOKE COUNTY
 STATION: 14+70.00 -L-
 SHEET 2 OF 2

STATE OF NORTH CAROLINA
 DEPARTMENT OF TRANSPORTATION
 RALEIGH

SUBSTRUCTURE
 BENT #2



REVISIONS					
NO.	BY:	DATE:	NO.	BY:	DATE:
1			3		
2			4		

SHEET NO. S-19
 TOTAL SHEETS 26

21-DEC-2005 10:34 J:\kharva\Drawings\B4152.eda.bt.01.dgn

DRAWN BY: J. G. KHARVA DATE: 04/05/05
 CHECKED BY: W. F. PARKER DATE: 06/29/05