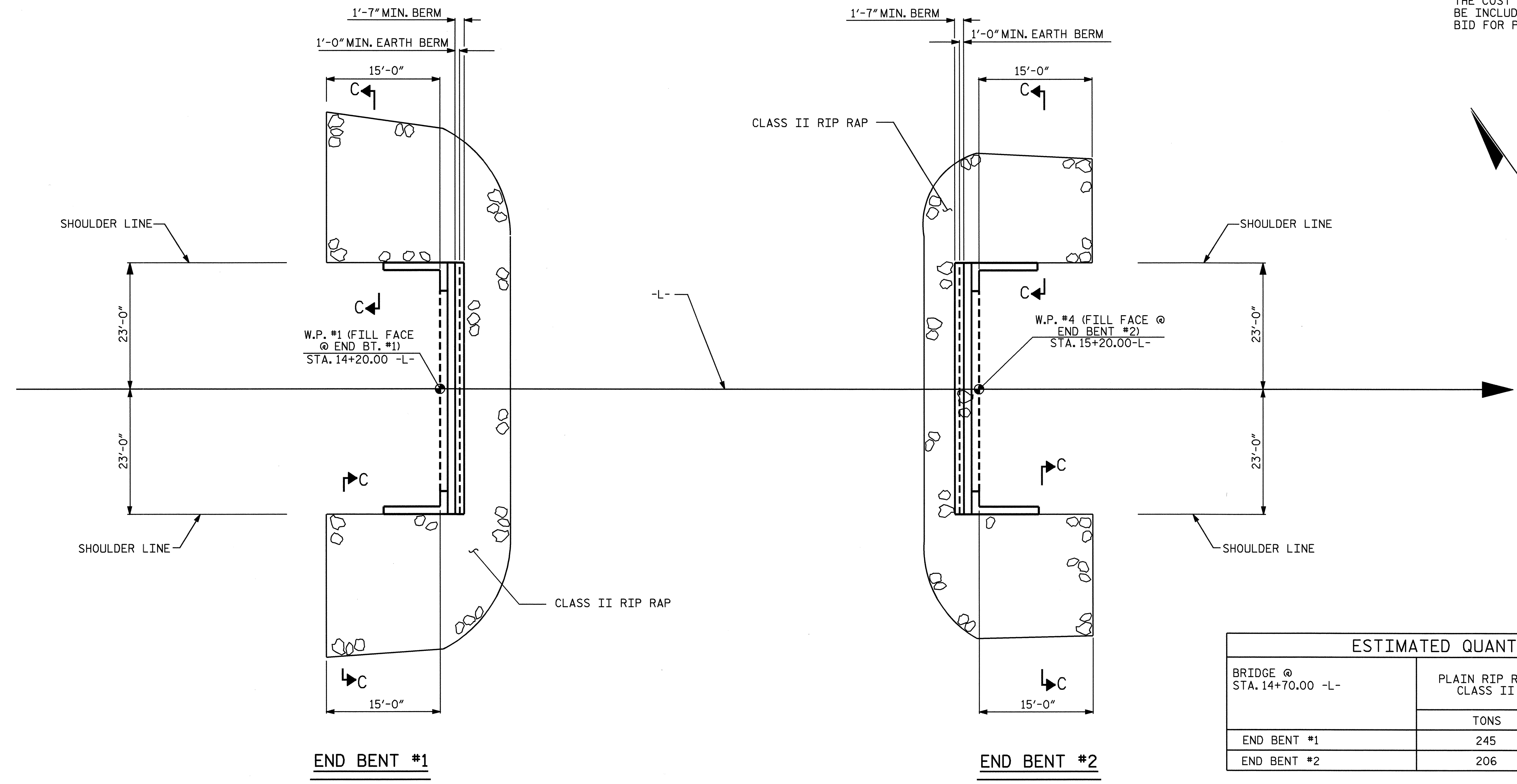
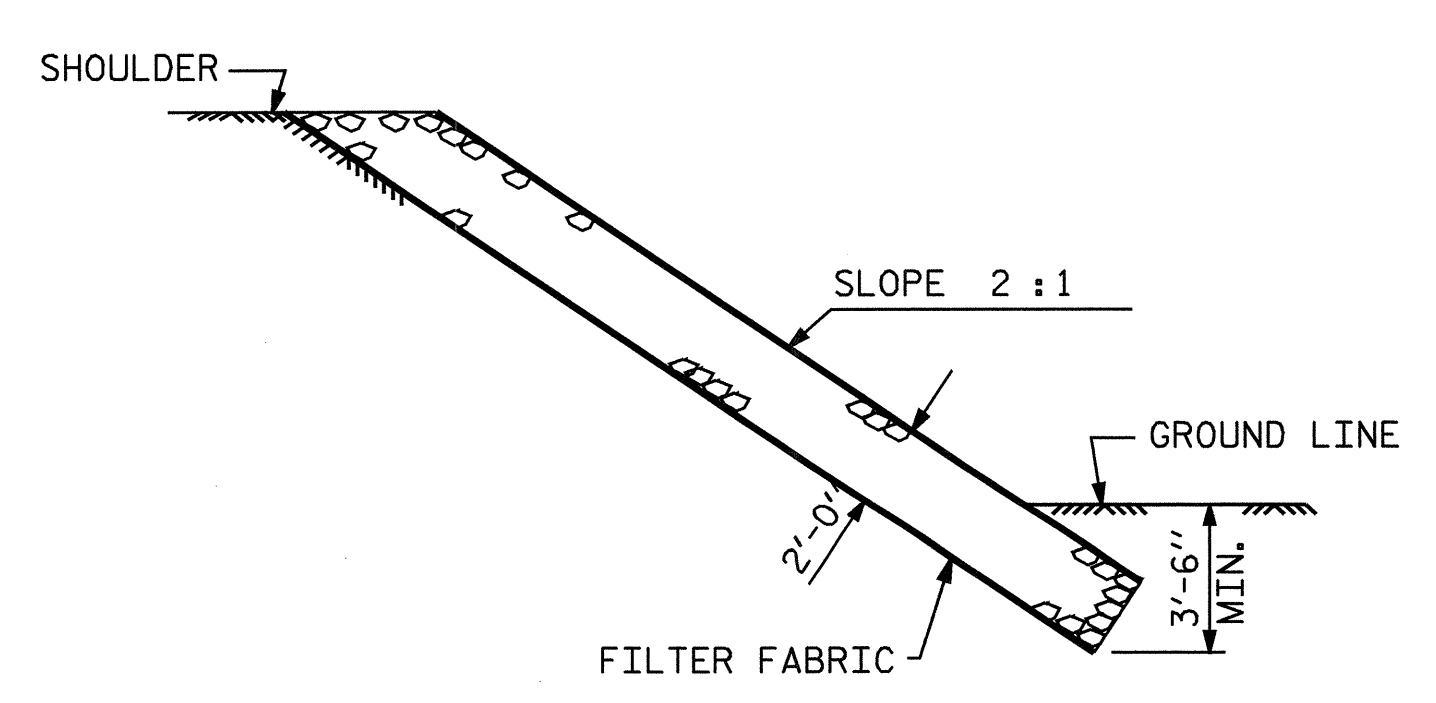


NOTE
THE COST OF THE FILTER FABRIC SHALL BE INCLUDED IN THE CONTRACT PRICE BID FOR PLAN RIP RAP CLASS II.

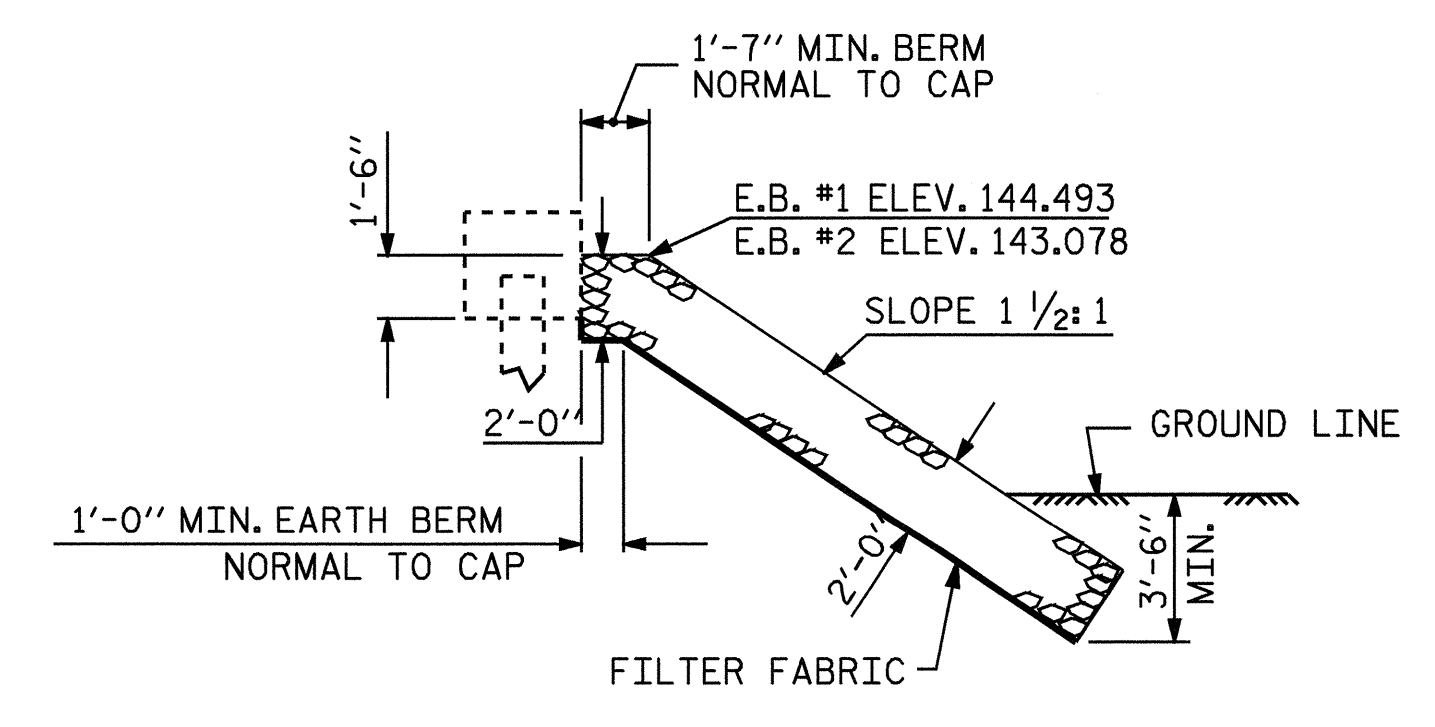


ESTIMATED QUANTITIES		
BRIDGE @ STA. 14+70.00 -L-	PLAIN RIP RAP CLASS II	FILTER FABRIC FOR DRAINAGE
	TONS	SQUARE YARDS
END BENT #1	245	272
END BENT #2	206	229

PLAN



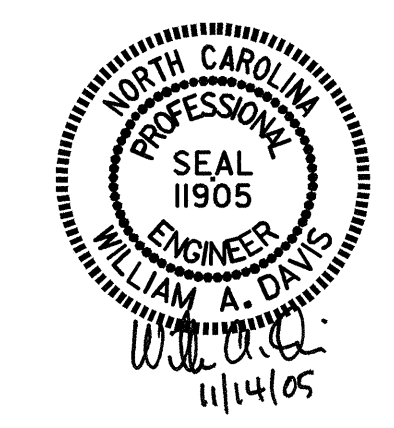
SECTION C-C



C SECTION

BERM RIP RAPPED

PROJECT NO. B-4152
HOKE COUNTY
STATION: 14+70.00 -L-



STATE OF NORTH CAROLINA DEPARTMENT OF TRANSPORTATION RALEIGH						SHEET NO. S-24
STANDARD RIP RAP DETAILS						TOTAL SHEETS 26
REVISIONS						
NO.	BY:	DATE:	NO.	BY:	DATE:	
1			3			
2			4			

DRAWN BY : G.O. COOPER/JGK DATE : 3JAN/05
CHECKED BY : J.D. HAWK/BOB W. DATE : 5/18/05