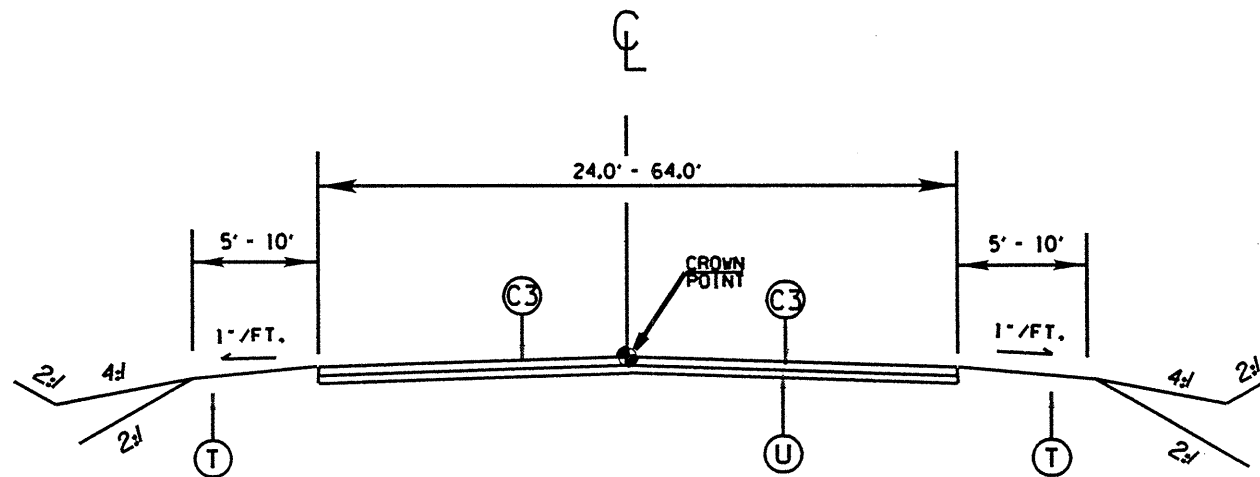
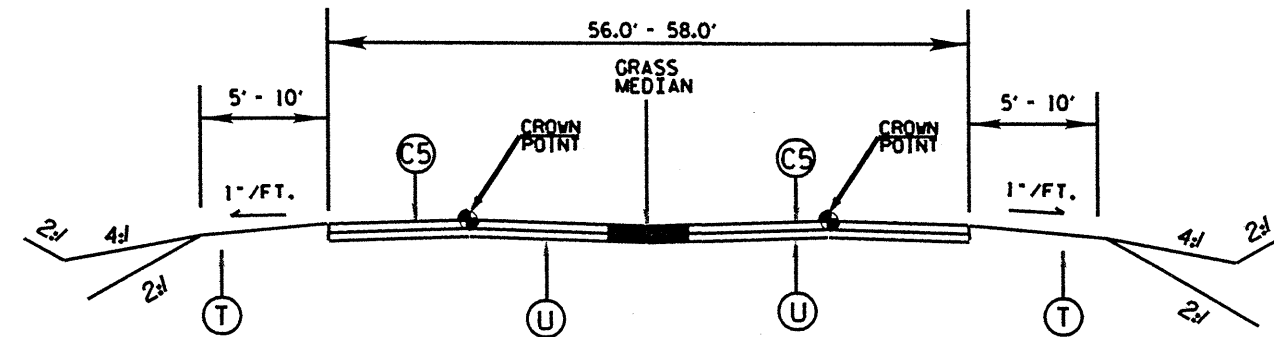


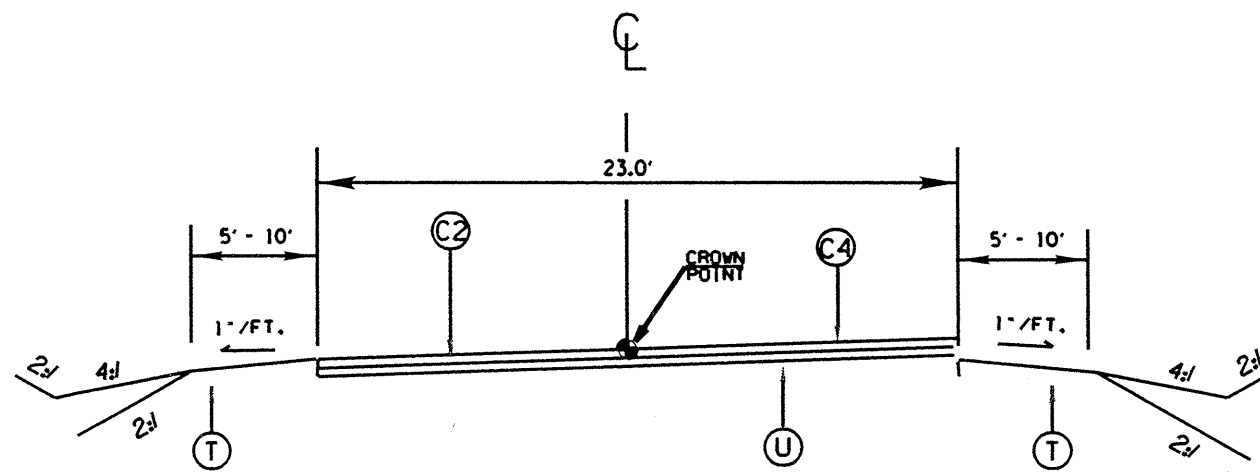
PROJECT #	SHEET NO.
6CR.10261.16, ETC.	10



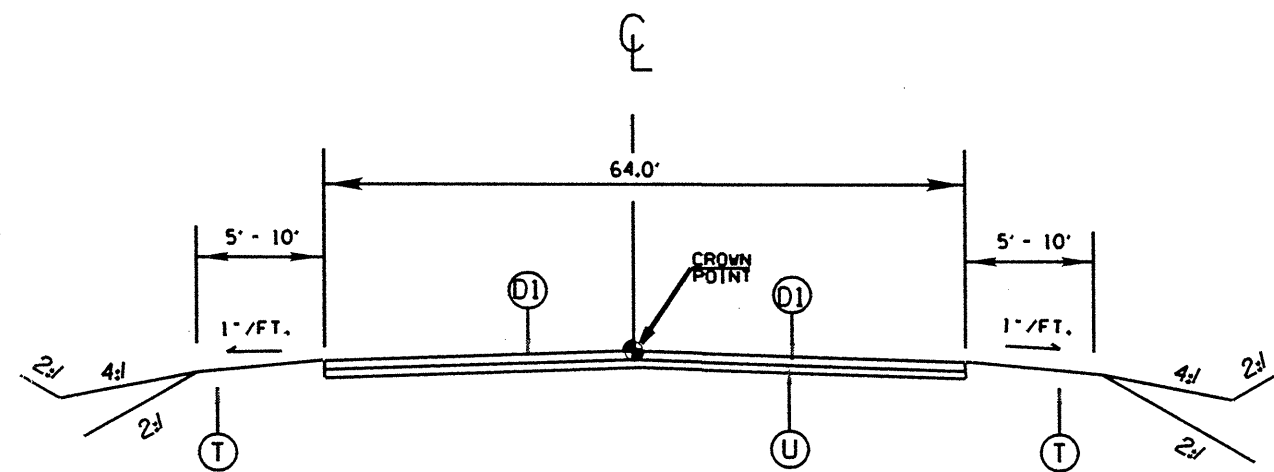
TYPICAL SECTION NO. 3



TYPICAL SECTION NO. 5



TYPICAL SECTION NO. 4



TYPICAL SECTION NO. 6

*\*\* This Typical Section shows no specific rate for 119.0B and B25.0B. These quantities are for the purpose of achieving the proper superelevation as staked by NCDOT and directed by the Engineer.*