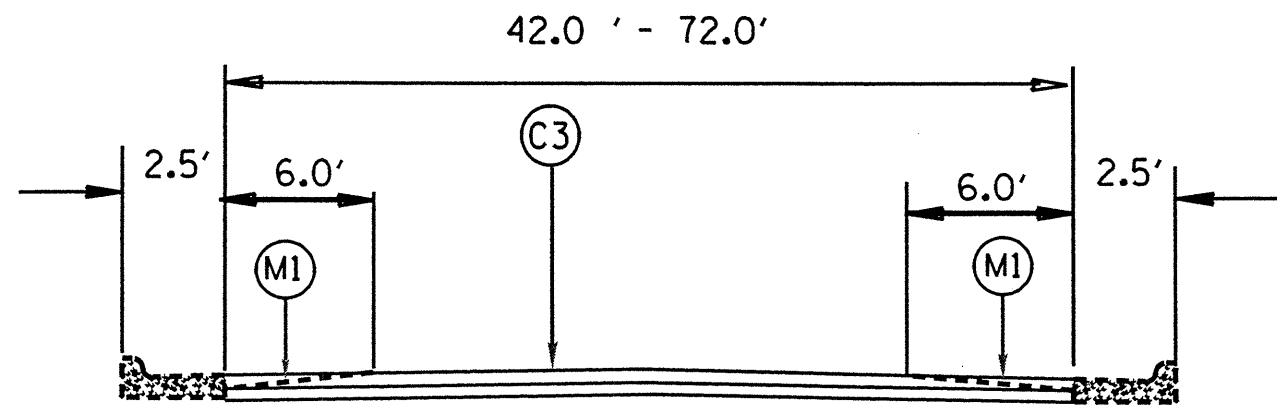
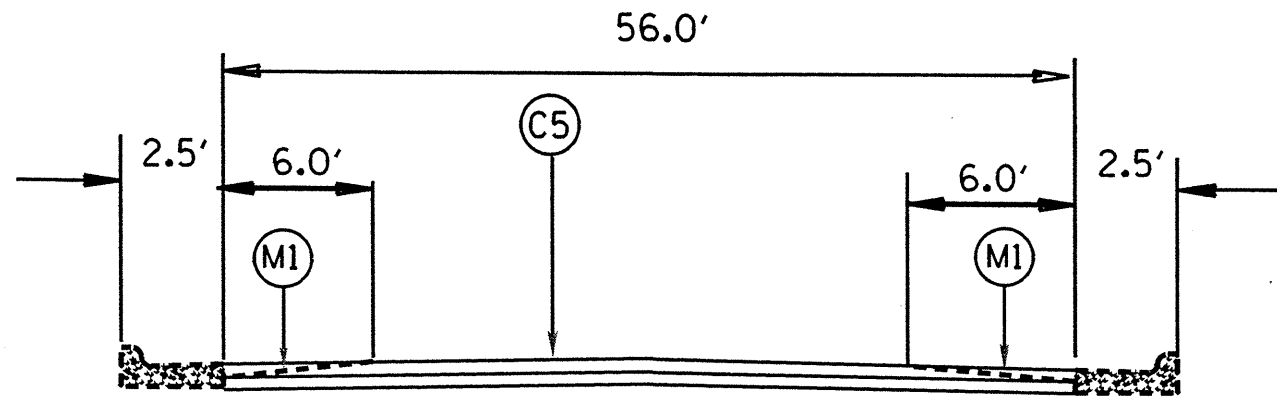


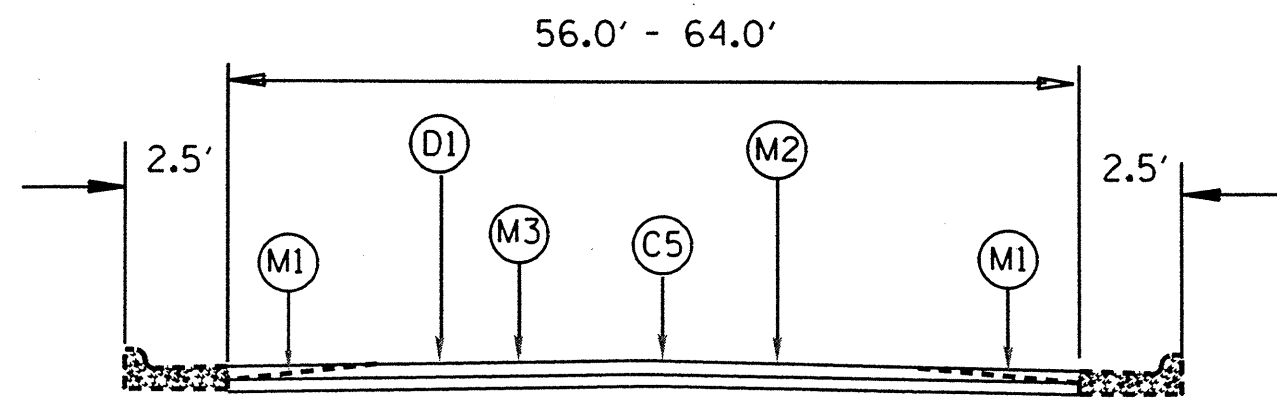
PROJECT #	SHEET NO.
6CR.10261.16, ETC.	11



TYPICAL SECTION NO. 7



TYPICAL SECTION NO. 9



TYPICAL SECTION NO. 8

** The Contractor's attention is directed to the M2 milling quantities on SR 1437. The Contractor shall mill full pavement width from the intersection of NC 24 to approximately 500' South of the intersection of NC 24.

** The Contractor's attention is directed to the M3 milling quantities on SR 1437 for milling the bridge approach/departure. The Contractor shall mill full pavement width to the approach/departure from a depth of 0.00 inches to a depth of 1.5 inches for a distance of 300 feet as directed by the Engineer.