
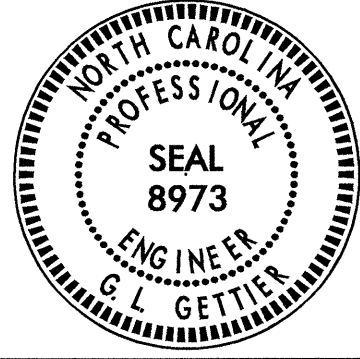

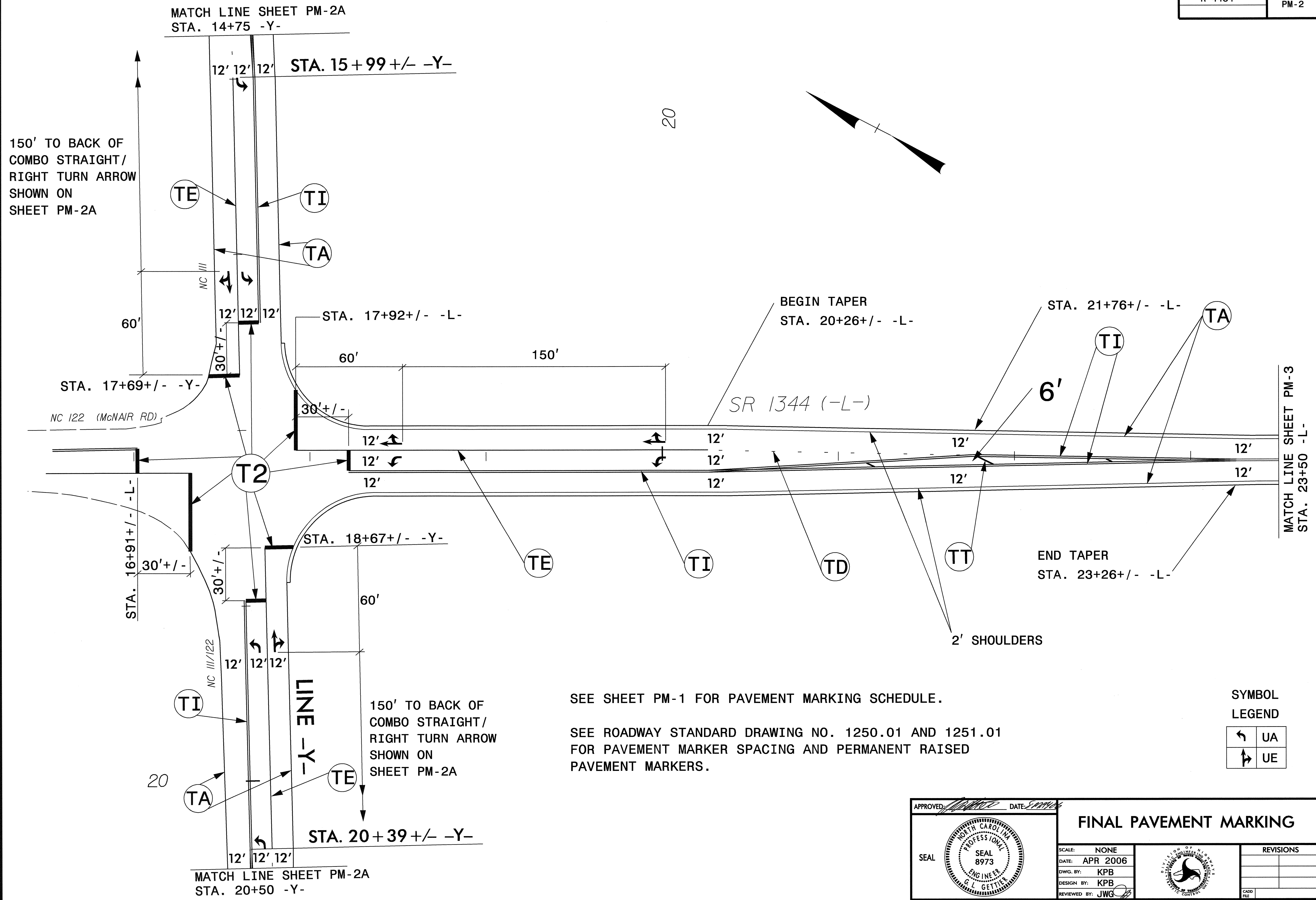


SYMBOL	DESCRIPTION	PAY ITEM QUANTITY	BREAKDOWN	TOTAL
PAVEMENT MARKINGS				
THERMOPLASTIC (4", 90 MILS)				
TA	WHITE EDGELINE	20689	LF	
				TOTAL 20689 LF
THERMOPLASTIC (4", 120 MILS)				
TD	2 FT. WHITE MINISKIP	165	LF	
TE	WHITE SOLID LANE LINE	1200	LF	
TF	10 FT. YELLOW SKIP	1150	LF	
TH	YELLOW SINGLE CENTER	4600	LF	
TI	YELLOW DOUBLE CENTER	22616	LF	
				TOTAL 29731 LF
THERMOPLASTIC (8", 90 MILS)				
TT	YELLOW DIAGONAL	312	LF	
				TOTAL 312 LF
THERMOPLASTIC (24", 120 MILS)				
T2	WHITE STOPBAR	264	LF	
				TOTAL 264 LF
THERMOPLASTIC PAVEMENT MARKING SYMBOLS (90 MILS)				
UA	LEFT TURN ARROW	25	EA	
UB	RIGHT TURN ARROW	3	EA	
UC	STRAIGHT ARROW	2	EA	
UE	COMBO. STRAIGHT/RIGHT	6	EA	
				TOTAL 36 EA
MARKERS				
PERMANENT RAISED PAVEMENT MARKERS				
MA	YELLOW & YELLOW	270	EA	
MB	CRYSTAL & RED	53	EA	
				TOTAL 323 EA
PAVEMENT MARKINGS				
PAINT (4")				
PA	WHITE EDGELINE	47020	LF	
PI	YELLOW DOUBLE CENTER	46620	LF	
				TOTAL 93640 LF
PAINT (24")				
P4	WHITE STOPBAR	144	LF	
				TOTAL 144 LF
MARKERS				
TEMPORARY RAISED PAVEMENT MARKERS				
MH	YELLOW & YELLOW	148	EA	
				TOTAL 148 EA

04-MAY-2006 09:53  
 \\pcc\c019301\WZ\22240  
 KBoadwell AT WZ\22240

APPROVED: 	DATE: <u>4/11/06</u>	<b>PAVEMENT MARKING SCHEDULE</b>							
	SCALE: NONE								
	DATE: APR. 2006								
	DWG. BY: KPB								
	DESIGN BY: KPB								
REVIEWED BY: JWG		<table border="1"> <tr> <th colspan="2">REVISIONS</th> </tr> <tr> <td> </td> <td> </td> </tr> <tr> <td> </td> <td> </td> </tr> </table>		REVISIONS					
REVISIONS									



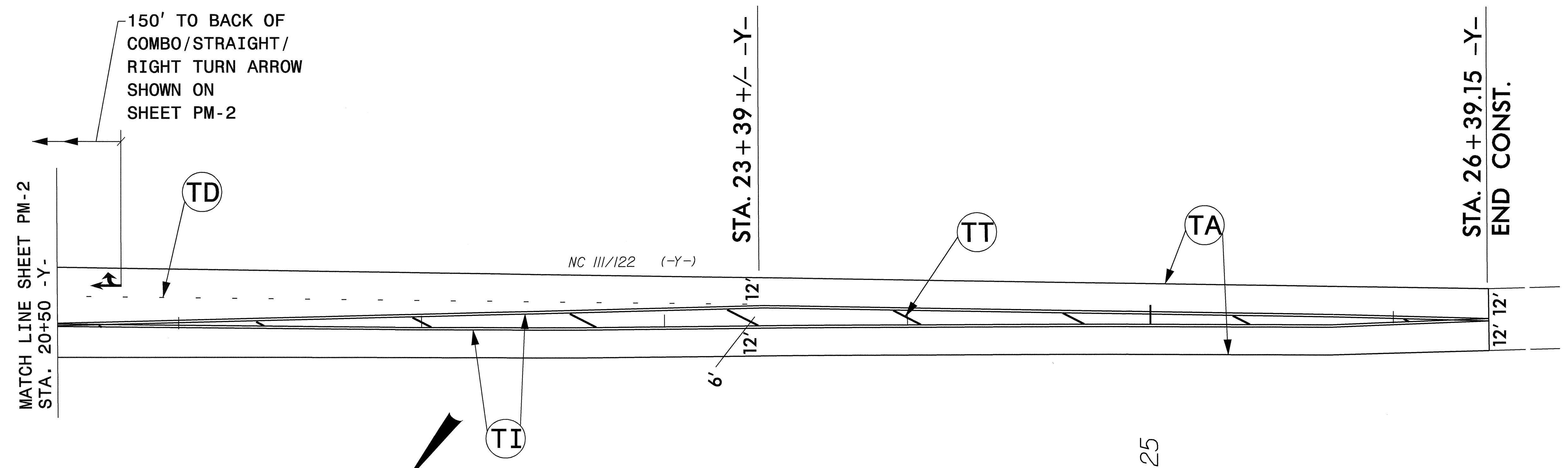
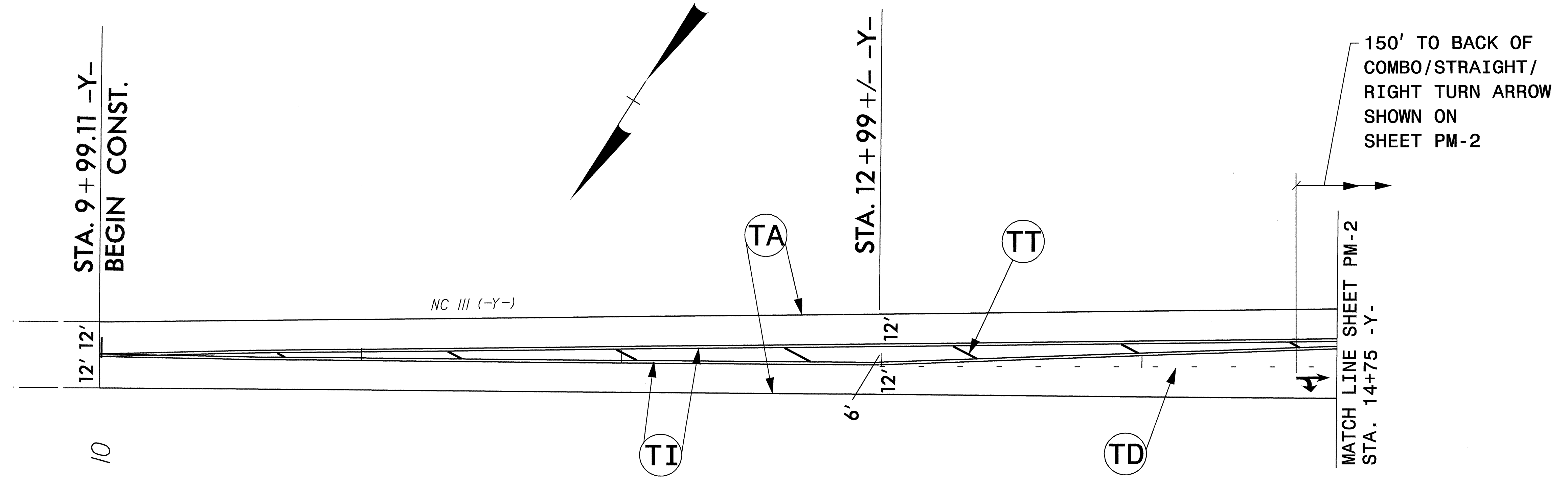
SEE SHEET PM-1 FOR PAVEMENT MARKING SCHEDULE.  
 SEE ROADWAY STANDARD DRAWING NO. 1250.01 AND 1251.01 FOR PAVEMENT MARKER SPACING AND PERMANENT RAISED PAVEMENT MARKERS.

**SYMBOL LEGEND**

	UA
	UE

APPROVED:	DATE:	<b>FINAL PAVEMENT MARKING</b>	
SCALE: NONE	DATE: APR 2006		REVISIONS
DWG. BY: KPB	DESIGN BY: KPB		
REVIEWED BY: JWG			

04-MAY-2006 09:53  
 \\ets-cce03\14348\traffic\top\pm\4434\_top\_pm2.dgn  
 kbroadwell AT WZT224240



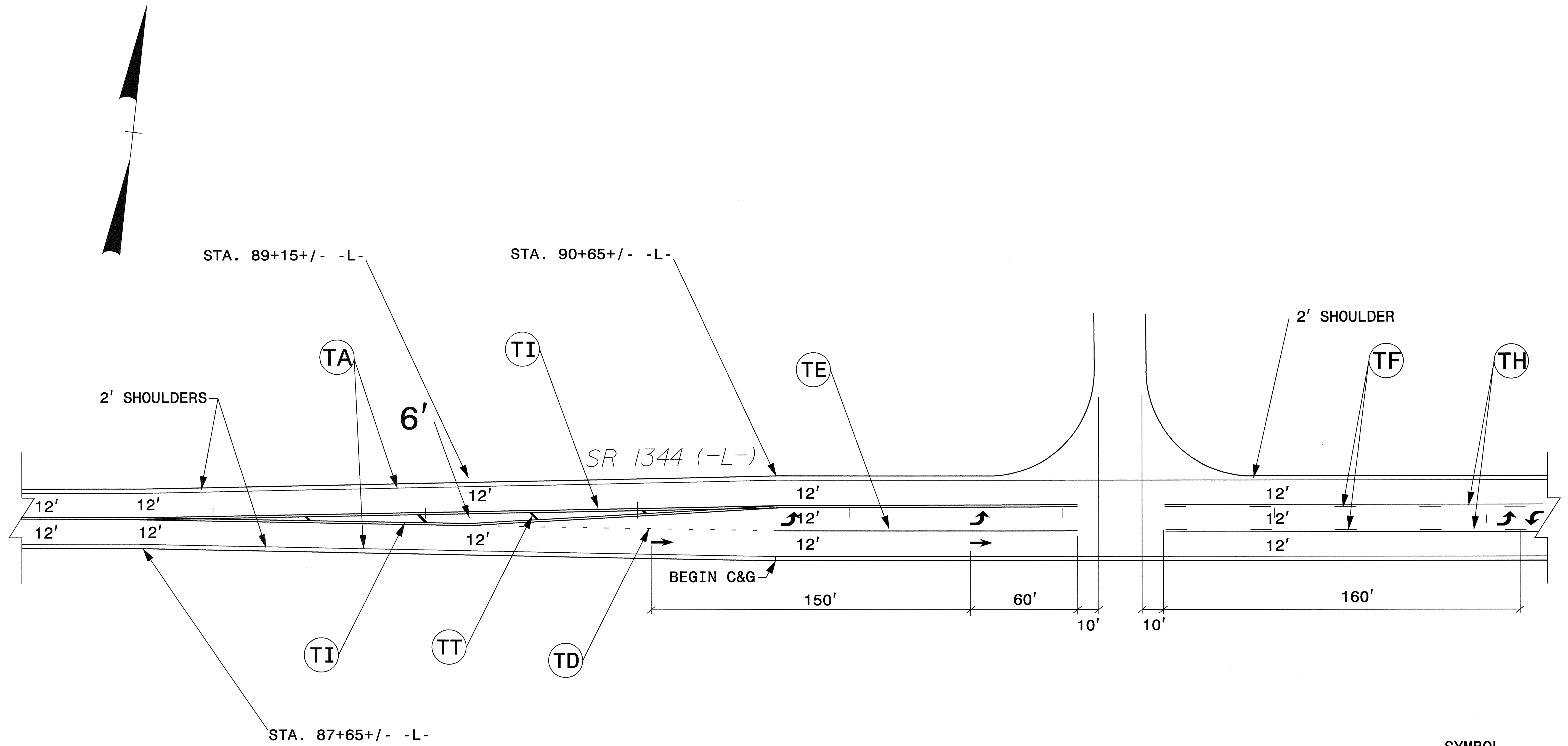
SYMBOL LEGEND

	UA
	UE

SEE SHEET PM-1 FOR PAVEMENT MARKING SCHEDULE.  
 SEE ROADWAY STANDARD DRAWING NO. 1250.01 AND 1251.01 FOR PAVEMENT MARKER SPACING AND PERMANENT RAISED PAVEMENT MARKERS.

APPROVED:	DATE:	<b>FINAL PAVEMENT MARKING</b>								
SCALE: NONE	DATE: APR 2006	<table border="1"> <tr> <th colspan="2">REVISIONS</th> </tr> <tr> <td> </td> <td> </td> </tr> <tr> <td> </td> <td> </td> </tr> <tr> <td> </td> <td> </td> </tr> </table>	REVISIONS							
REVISIONS										
DWG. BY: KPB	DESIGN BY: KPB									
REVIEWED BY: JWG										
		<table border="1"> <tr> <td>CADD FILE</td> <td> </td> </tr> </table>	CADD FILE							
CADD FILE										

90



SYMBOL LEGEND

↑	UC
↶	UA
↷	UB

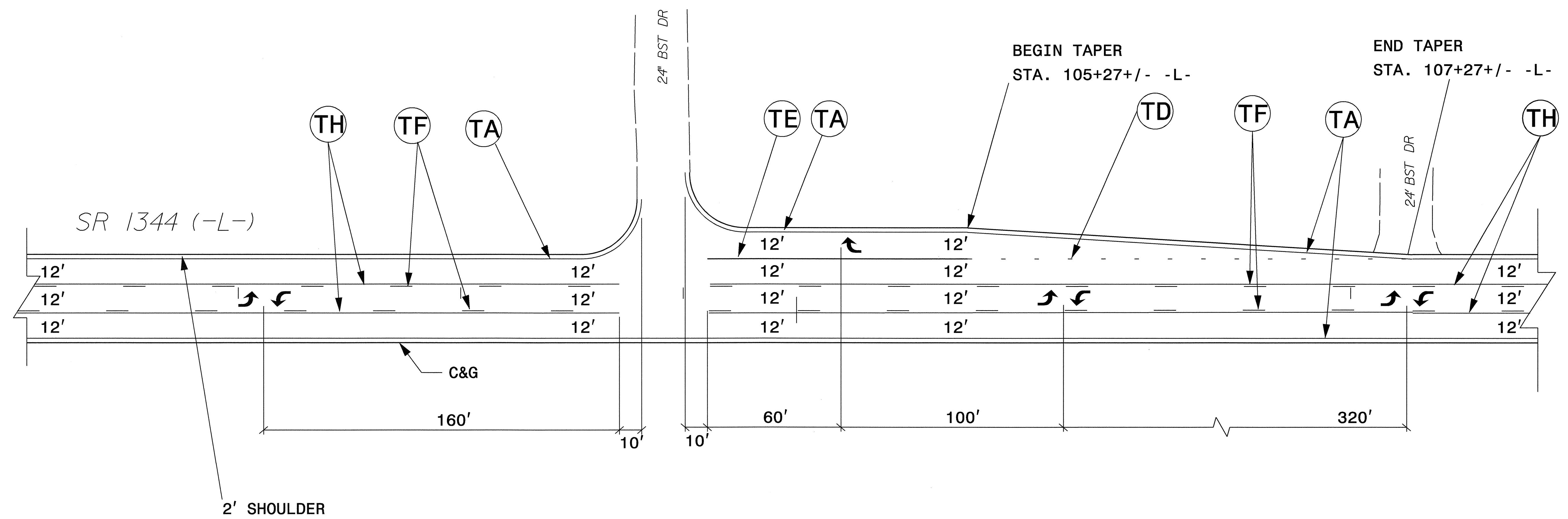
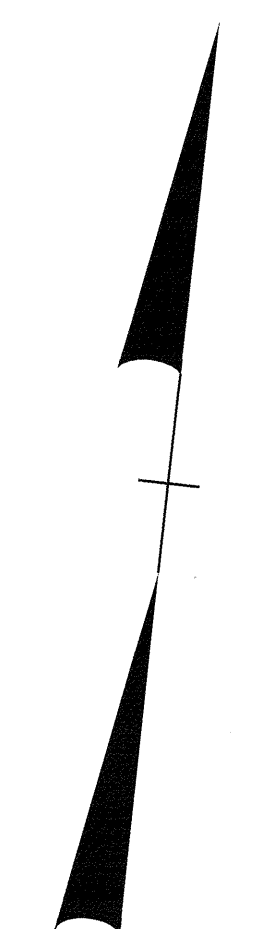
SEE SHEET PM-1 FOR PAVEMENT MARKING SCHEDULE.

SEE ROADWAY STANDARD DRAWING NO. 1250.01 AND 1251.01 FOR PAVEMENT MARKER SPACING AND PERMANENT RAISED PAVEMENT MARKERS.

APPROVED: <i>[Signature]</i> DATE: <i>[Date]</i>	<b>FINAL PAVEMENT MARKING</b>	
SCALE: NONE	REVISIONS	
DATE: APR 2006		
DWG. BY: KPB		
DESIGN BY: KPB		
REVIEWED BY: JWG		CADD FILE

04-MAY-2006 09:52  
K:\p1s\c1s1\4434\traffic\tr\affico\tr\afficocontrol\top\pm\4434\_top\_pm3.dgn  
K:\p1s\c1s1\4434\traffic\tr\affico\tr\afficocontrol\top\pm\4434\_top\_pm3.dgn

105

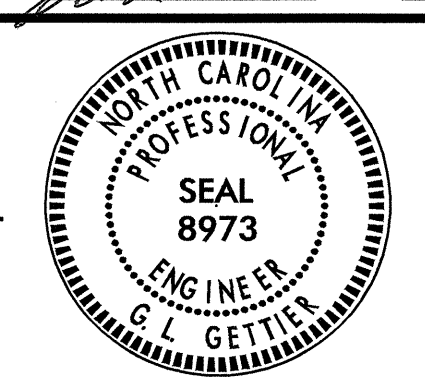
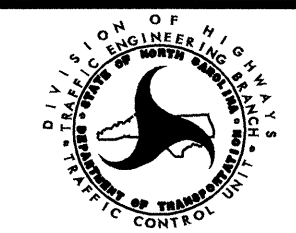


SYMBOL  
LEGEND

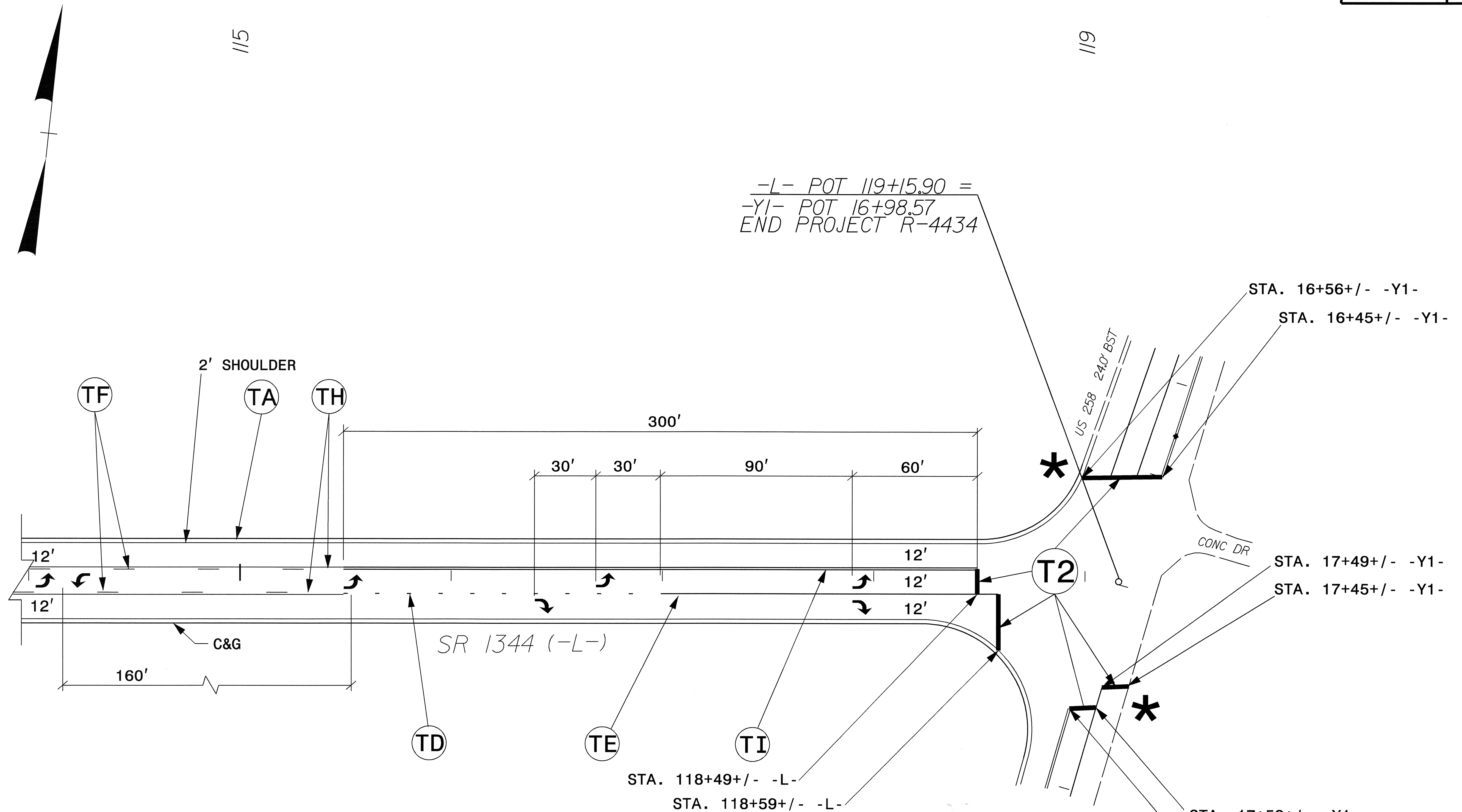
↶	UA
↷	UB

SEE SHEET PM-1 FOR PAVEMENT MARKING SCHEDULE.

SEE ROADWAY STANDARD DRAWING NO. 1250.01 AND 1251.01 FOR PAVEMENT MARKER SPACING AND PERMANENT RAISED PAVEMENT MARKERS.

APPROVED:	DATE:	<b>FINAL PAVEMENT MARKING</b>									
											
SCALE: NONE	REVISIONS		<table border="1"> <tr><td> </td><td> </td></tr> <tr><td> </td><td> </td></tr> <tr><td> </td><td> </td></tr> <tr><td> </td><td> </td></tr> </table>								
DATE: APR. 2006											
DWG. BY: KPB											
DESIGN BY: KPB											
REVIEWED BY: JWG											

04-MAY-2006 09:52  
 kb  
 Roadwell AT WZTC224240



SEE SHEET PM-1 FOR PAVEMENT MARKING SCHEDULE.

SEE ROADWAY STANDARD DRAWING NO. 1250.01 AND 1251.01 FOR PAVEMENT MARKER SPACING AND PERMANENT RAISED PAVEMENT MARKERS.

\* TRAFFIC PATTERN TO BE DETERMINED BY "NORTH CAROLINA MOVING AHEAD" PROJECT.

SYMBOL LEGEND

	UA
	UB

APPROVED:	DATE:	<b>FINAL PAVEMENT MARKING</b>							
	SCALE: NONE								
	DATE: APR. 2006								
	DWG. BY: KPB								
	DESIGN BY: KPB								
REVIEWED BY: JWG		<table border="1"> <tr> <th colspan="2">REVISIONS</th> </tr> <tr> <td> </td> <td> </td> </tr> <tr> <td> </td> <td> </td> </tr> </table>		REVISIONS					
REVISIONS									

04-MAY-2006 09:51  
 C:\p1\4434\tr\trafficcontrol\top\pm5\top\pm5.dgn  
 KDF:Gadwell AT WZTC2240